

# STIGA

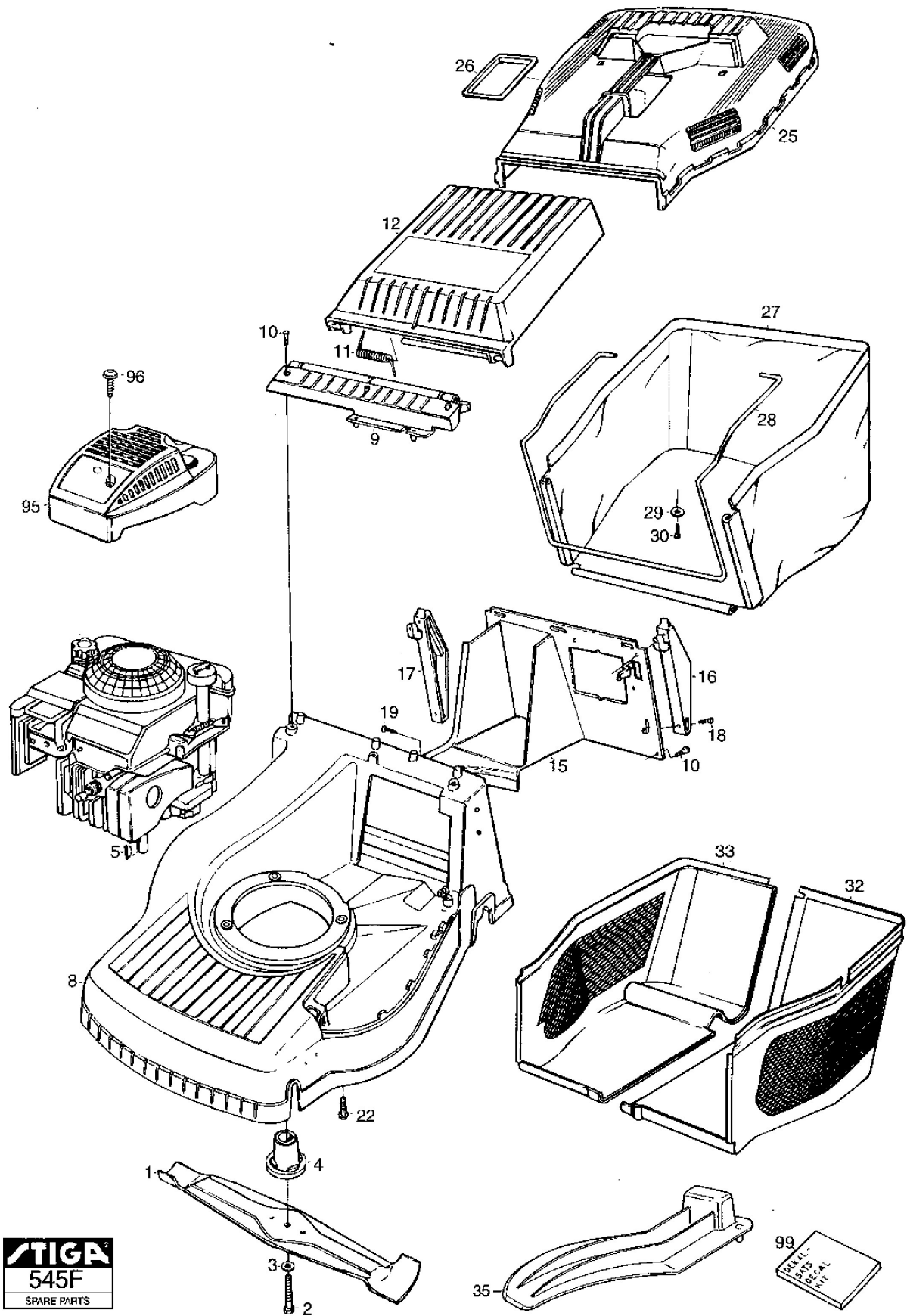
## TURBO 48S COMBI (2001)

12-5288-18

### Spare parts list Reservdelar Repuestos Ersatzteile Pièces détachées Reserve onderdelen Catalogo ricambi

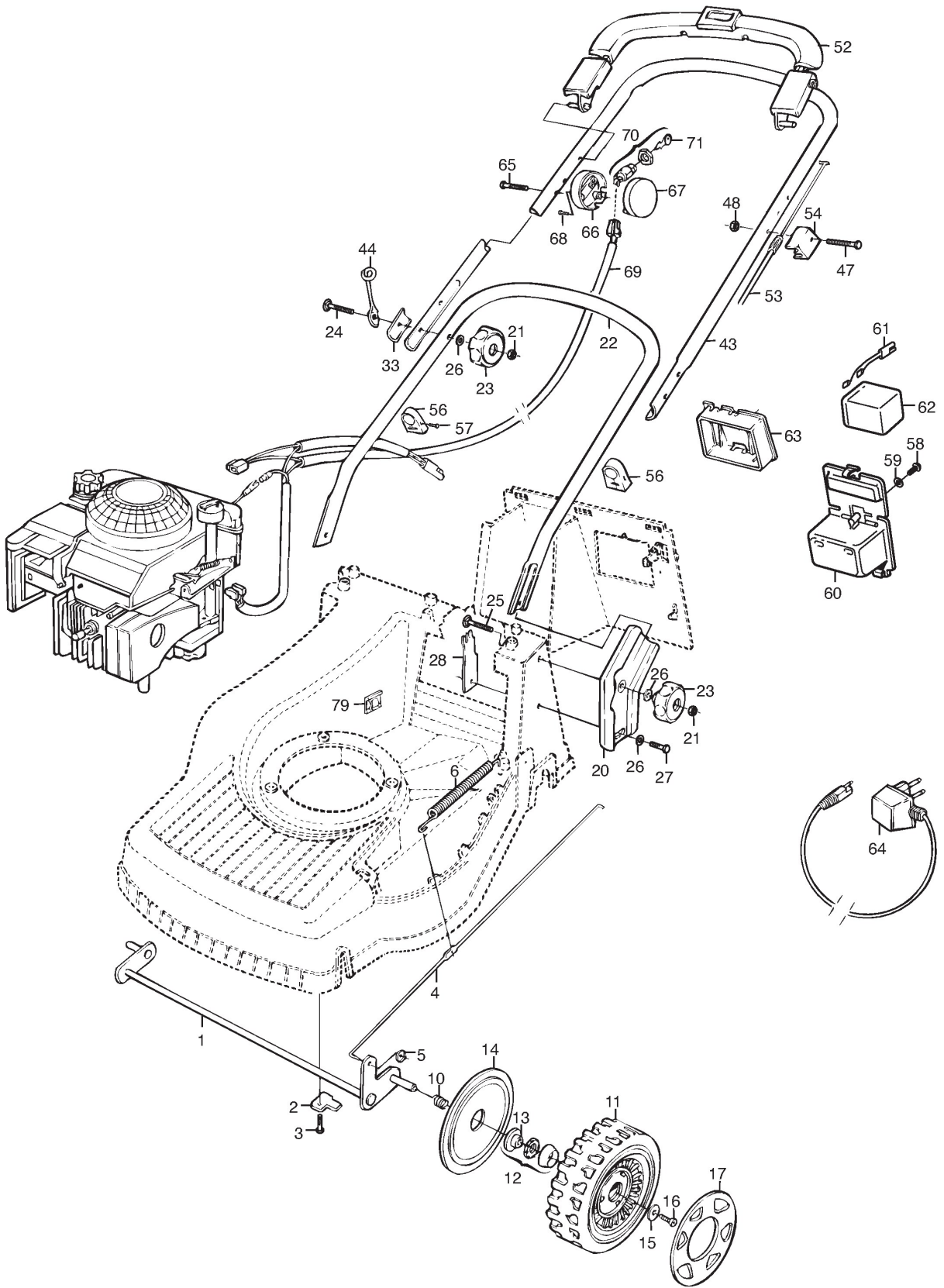
- Use ST. S.p.A. Genuine Spare Parts specified in the parts list for repair and/or replacement.
- The contents described in the parts list may change due to improvement.
- The drawings of the spare parts are only indicative And might Not represent the part in question exactly.
- The indications "right" - "left" - "front" - "rear" refer to the position of the operator when using the machine.
- When placing orders of parts for repair And/Or replacement, make sure that the illustrated parts list Is the one applying to the machine's year of manufacture, as shown on the identification plate attached to the machine.

All rights reserved. No part Of this material may be reproduced Or transmitted, in any form Or by any means, electronic Or mechanical, including photocopying, recording Or by any information storage And retrieval system, without permission in writing from ST. S.p.A.



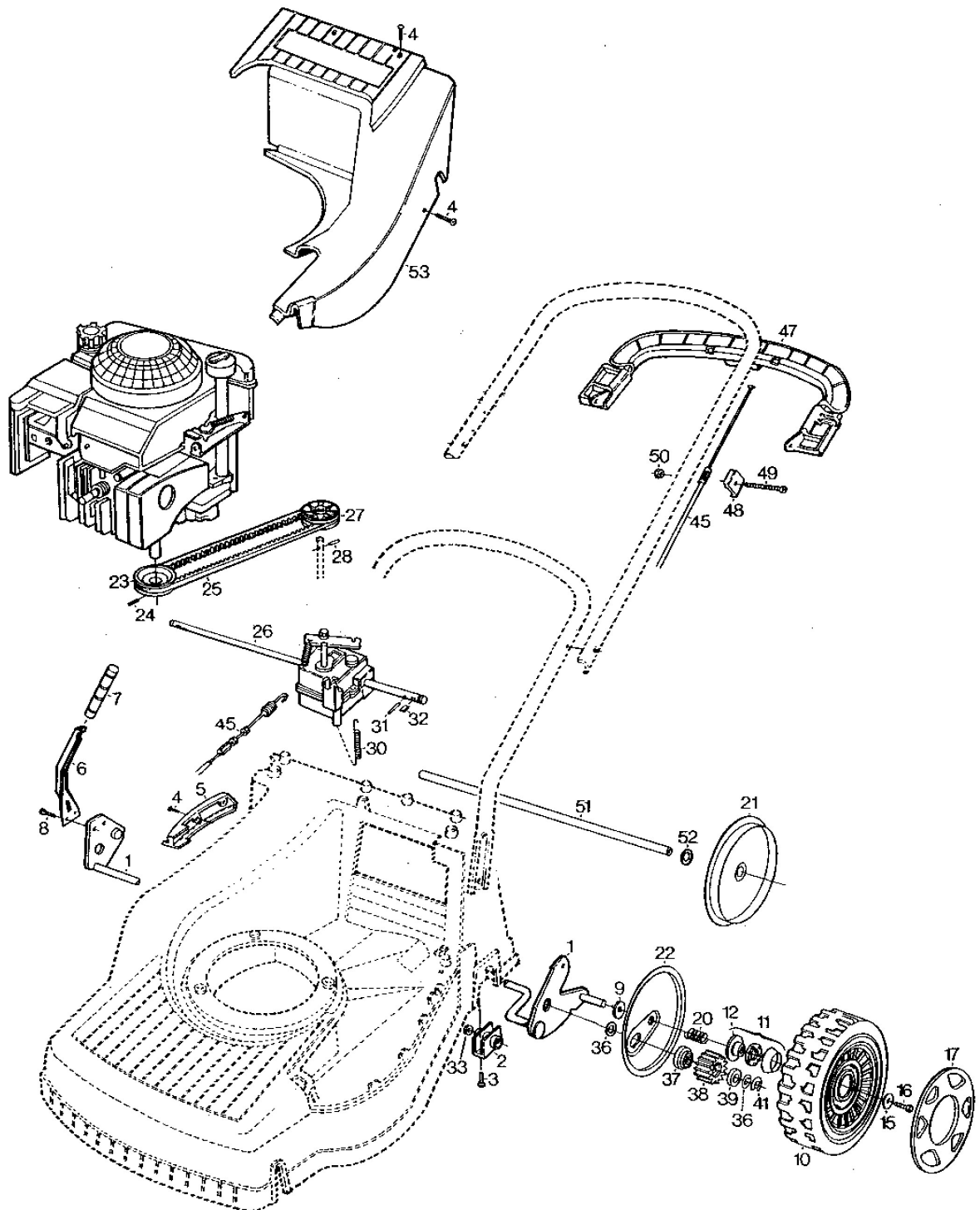
# Gehäuse

Bild Nr.	Anzahl	Teilenummer	Beschreibung	Hinweis	Von	Bis
1	1	1111-9090-01	Klinge			
2	1	9987-5251-12	Schraube			
3	1	9696-0011-01	Scheibe			
4	1	1111-9070-01	Messerhalter			
5	1	9600-0014-00	Schlüssel			
8	1	1111-3090-01	Gehäuse Gelb			
9	1	1111-2793-01	Flap Attachment			
10	6	9947-0616-16	Schraube			
11	1	1111-2792-01	Feder			
12	1	1111-3283-01	Prallblech, Gelb			
15	1	1111-3335-01	Rear Attachment (Combi 48-55)			
16	1	1111-3236-01	Attachment L.H.			
17	1	1111-3237-01	Attachment R.H.			
18	4	9836-9520-12	Schraube			
19	1	9838-9522-12	Schraube			
22	3	9955-3732-12	Schraube			
25	1	1111-2840-01	Collector-Upper Part (Yellow)			
26	1	1111-2764-01	Cover			
32	1	1111-2841-02	GRASSAMLER-UNTERT.LINKS			
33	1	1111-2842-02	GRASSAMLER-UNTERT.RECHTS			
35	1	1111-3333-01	Mulch Plug (Combi 48)			
95	1	1111-3287-01	Engine Cover Black	5288-28		
95	1	1111-3352-01	Engine Cover (Black)	5188, 5288-18, 5289		
96	2	9500-9907-01	Schraube	5188, 5288-18, 5289		
96	2	9828-7942-12	Schraube	5288-28		
99	1	1111-2893-12	Etikett Satz	STIGA		



# Holm, Oberteil

Bild Nr.	Anzahl	Teilenummer	Beschreibung	Hinweis	Von	Bis
1	1	1111-2805-01	Front Axle			
2	2	1111-1504-01	Clamp			
3	2	9947-0616-16	Schraube			
4	1	1111-2818-01	Stange, Höheverstellung			
5	2	9675-0011-00	Starlock			
6	1	1111-2819-01	Feder			
10	2	1111-1138-01	Spring-Wheel Axle			
11	2	1111-2784-01	Rad			
12	1	1111-9047-01	Kugellager			
13	2	1111-1184-01	Outer Ring			
14	2	1111-2785-01	Radenkappe			
15	2	9699-0100-02	Planscheibe			
16	2	9943-0612-16	Schraube			
17	2	1111-3084-01	Hub Cap (175) Yellow			
20	2	1111-3021-01	Handlebar Attachment			
21	4	9795-3531-02	Mutter			
22	1	1111-3022-01	Handlebar-Lower Part			
23	4	1111-3023-01	Knopf			
24	2	9899-3557-12	Schraube	L = 57 mm		
25	2	9899-3545-12	Schraube	L = 45 mm		
26	6	9699-0028-02	Scheibe			
27	2	9939-0820-16	Schraube			
28	2	1111-3024-01	Attachment Plate			
33	2	1111-0178-00	Reinforcement			
43	1	1111-2957-01	Handlebar Upper Part			
44	1	1111-3062-01	Eyelink			
47	1	9948-0640-16	Schraube	L = 40 mm		
48	1	9747-0631-02	Sicherungsmutter			
52	1	1111-2953-01	Control Handle (Eng.Brake			
53	1	1111-2968-05	Kabel, Motorbremse			
54	1	1111-2969-01	Cable Holder			
56	1	1111-2018-01	Cable Holder			
57	1	9836-9216-12	Schraube			
63	1	1111-2927-01	Battery Holder			



## Gehäuse Und Schnittverstellung

Bild Nr.	Anzahl	Teilenummer	Beschreibung	Hinweis	Von	Bis
1	1	1111-2808-01	Rear Axle			
2	2	1111-2814-01	Büchse			
3	4	9947-0616-16	Schraube			
4	5	9838-9522-12	Schraube			
5	1	1111-2798-01	Höhenverstellblech			
6	1	1111-2816-01	Hebel, Höheverstellung			
7	1	1111-2817-01	Knopf			
8	2	9943-0612-16	Schraube			
10	2	1111-2665-01	Rad			
11	1	1111-9047-01	Kugellager			
12	2	1111-1184-01	Outer Ring			
15	2	9699-0100-02	Planscheibe			
16	2	9943-0612-16	Schraube			
17	2	1111-3085-01	Hub Cap (190) Yellow			
20	2	1111-3060-01	Feder			
22	2	1111-2561-01	Cover Plate			
23	1	1111-2915-01	Motorriemenscheibe			
24	1	9910-0612-16	Schraube			
25	1	1111-9061-01	Riemen			
26	1	1111-3046-01	Transmission			
27	1	1111-3047-01	Belt Pulley (Od=60 Mm)			
28	1	9595-0235-00	Stift			
30	1	1111-2822-01	Tension Spring			
31	2	1111-2382-01	Stift			
32	2	1111-3256-01	Schlüssel			
33	2	9404-0083-00	Dichtring Schwungrad			
36	4	9695-0013-00	Scheibe			
37	2	1111-2829-01	Scheibe			
38	2	1111-3075-01	Zahnrad			
39	2	1111-2830-01	Scheibe			
41	2	9652-0010-04	Circlip			
45	1	1111-2967-01	Kupplungsseil			
47	1	1111-2954-01	Kupplungshebel			
48	1	1111-2969-01	Cable Holder			
49	1	9948-0640-16	Schraube	L = 40 mm		
50	1	9747-0631-02	Sicherungsmutter			
53	1	1111-2794-01	Cover (Yellow)			