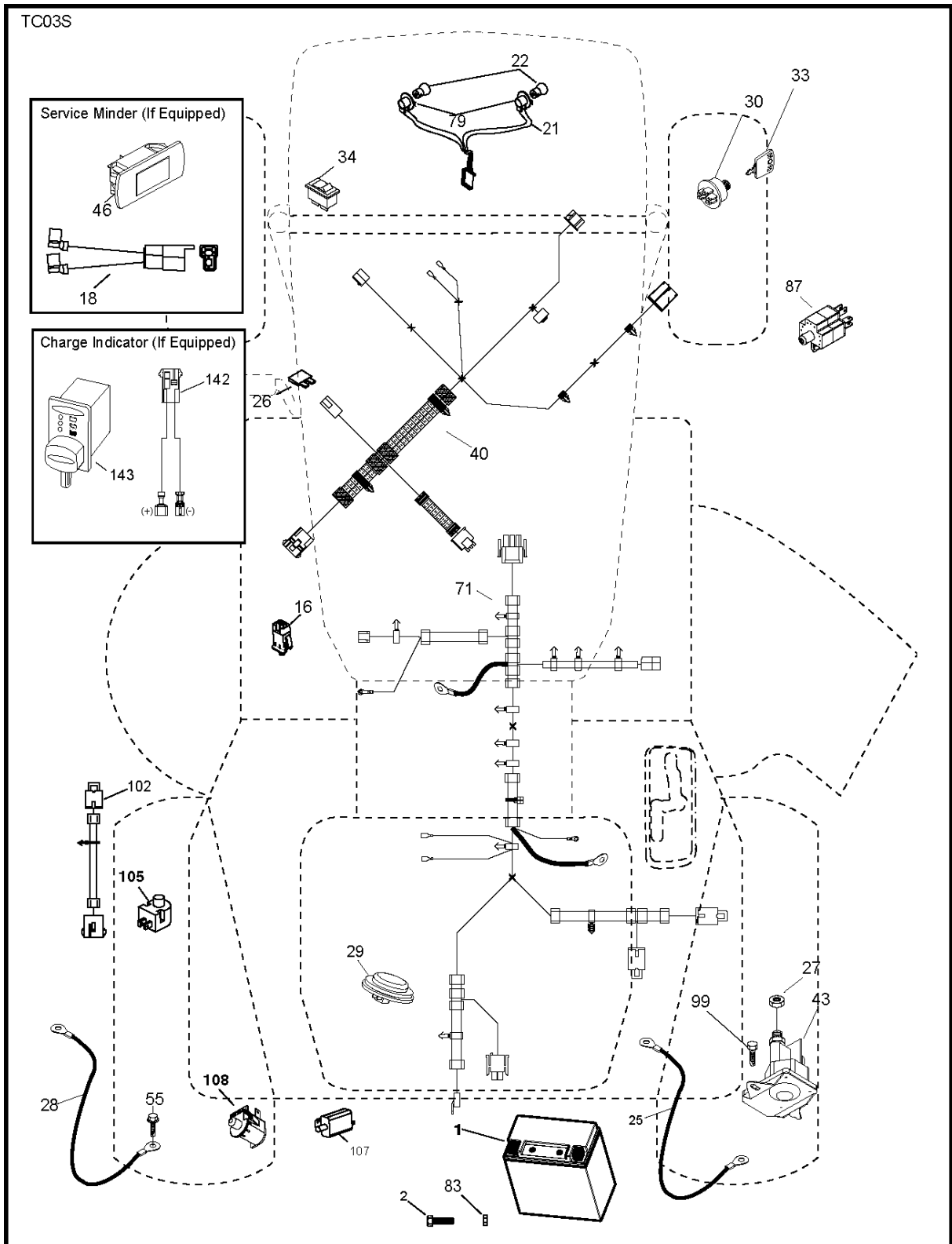




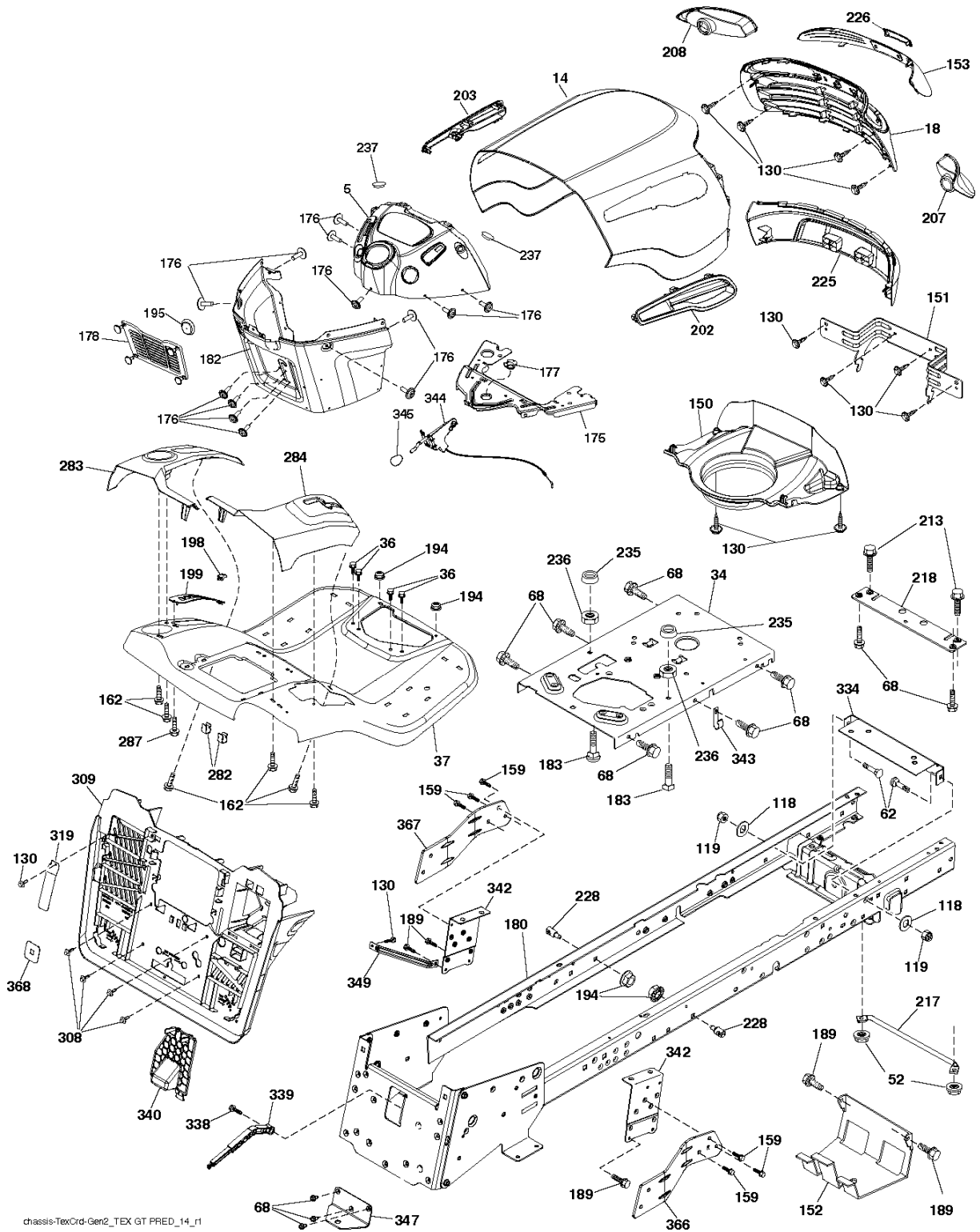
SPARE PARTS LIST

TRACTORS/RIDE MOWERS

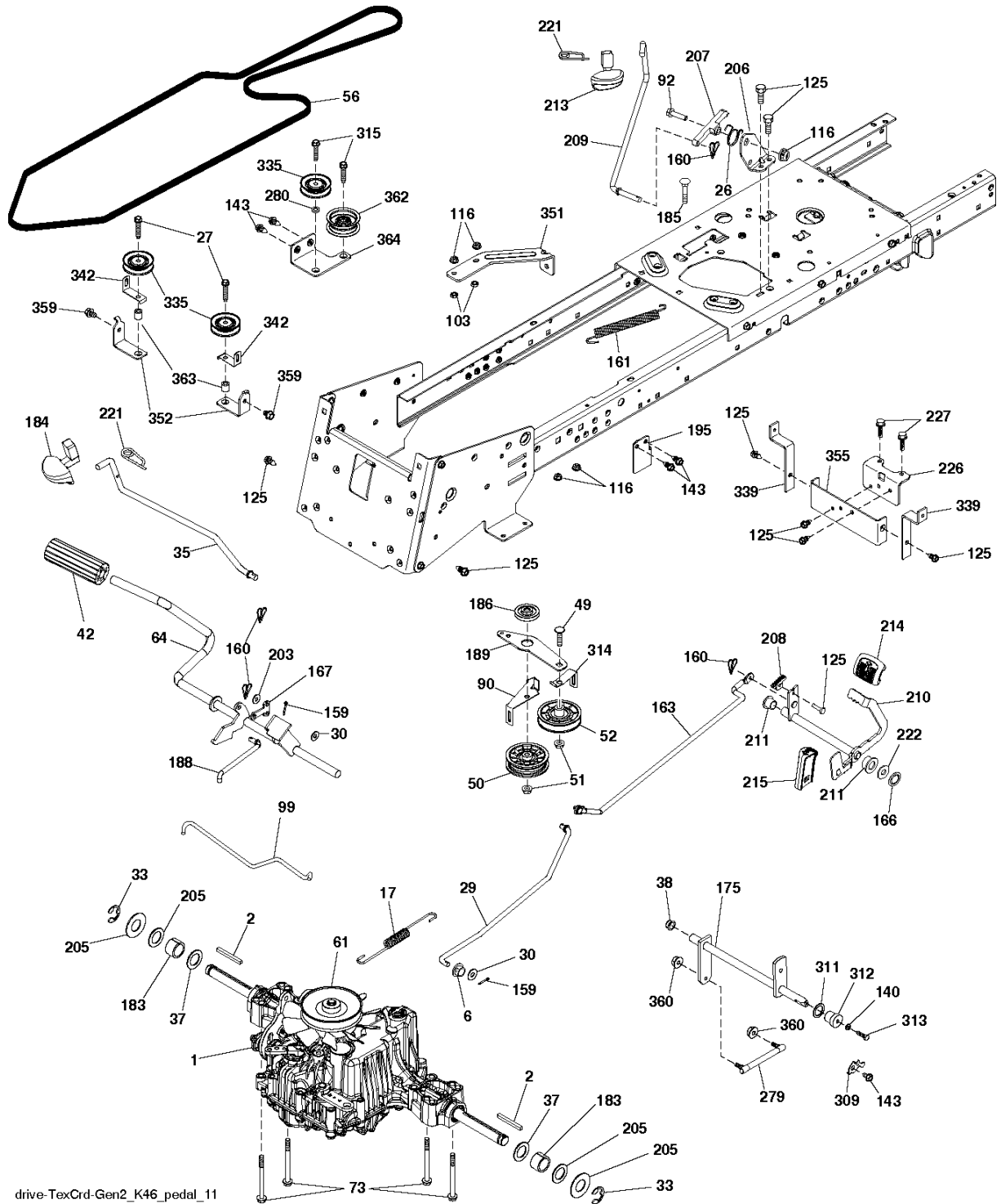
LT 2320 CMA2, 96051011200, 2013-06



| Referenz | Teile Nr | Beschreibung | Bemerkung: | ANZ KIT |
|----------|--------------|-----------------|------------|---------|
| 1 | 532 43 71-57 | BATTERIE | | 1 |
| 2 | 532 44 09-23 | SCHRAUBE | | 1 |
| 16 | 532 17 61-38 | MIKROSCHALTER | | 1 |
| 21 | 532 40 02-52 | TRAGEGURT | | 1 |
| 22 | 532 00 41-52 | LAMPE | | 1 |
| 25 | 532 44 13-83 | KABEL | | 1 |
| 26 | 532 17 51-58 | SICHERUNG | | 1 |
| 27 | 873 51 04-00 | MUTTER | | 1 |
| 28 | 532 44 13-83 | KABEL | | 1 |
| 29 | 532 40 15-45 | SCHALTER | | 1 |
| 30 | 532 19 33-50 | ELEKTRONIKMODUL | | 1 |
| 33 | 532 41 19-35 | TASTE | | 1 |
| 34 | 532 11 07-12 | SCHALTER | | 1 |
| 40 | 532 44 80-36 | TRAGEGURT | | 1 |
| 43 | 532 19 25-07 | ELEKTROMAGNET | | 1 |
| 46 | 532 40 17-63 | DISPLAY | | 1 |
| 55 | 817 06 05-12 | SCHRAUBE | | 1 |
| 71 | 580 68 89-01 | TRAGEGURT | | 1 |
| 79 | 532 17 52-42 | HOLDER | | 1 |
| 83 | 532 43 67-74 | MUTTER | | 1 |
| 87 | 532 42 10-60 | SCHALTER | | 1 |
| 99 | 817 72 04-08 | SCHRAUBE | | 1 |
| 102 | 532 44 12-62 | TRAGEGURT KPL. | | 1 |
| 105 | 532 40 75-68 | SCHALTER | | 1 |
| 107 | 532 18 03-79 | SWITCH FBI | | 1 |
| 108 | 532 42 10-62 | SCHALTER | | 1 |



| Referenz | Teile Nr | Beschreibung | Bemerkung: | ANZ KIT |
|----------|--------------|---------------------------|------------|---------|
| 5 | 532 44 18-82 | SCHALTBRETT | | 1 |
| 14 | 532 44 38-24 | HAUBE | | 1 |
| 18 | 532 42 73-33 | GRILLE | | 1 |
| 34 | 580 91 09-01 | PLATTE | | 1 |
| 36 | 817 06 05-12 | SCHRAUBE | | 1 |
| 37 | 532 44 13-39 | RADABDECKUNG | | 1 |
| 52 | 873 68 05-00 | MUTTER | | 1 |
| 62 | 872 11 06-08 | BOLZEN | | 1 |
| 68 | 817 49 05-08 | SCHRAUBE | | 1 |
| 118 | 819 13 13-16 | SCHEIBE | | 1 |
| 119 | 873 68 06-00 | MUTTER | | 1 |
| 130 | 532 41 63-58 | SCHRAUBE | | 1 |
| 150 | 584 86 29-01 | DÜSE | | 1 |
| 151 | 532 44 54-94 | HALTER | | 1 |
| 152 | 532 19 95-35 | SCHIRM | | 1 |
| 153 | 532 42 47-17 | LINSE | | 1 |
| 159 | 817 00 06-12 | SCHRAUBE | | 1 |
| 162 | 532 14 24-32 | SCHRAUBE | | 1 |
| 175 | 532 19 63-04 | STÜTZE | | 1 |
| 176 | 532 40 07-76 | SCHRAUBE | | 1 |
| 177 | 532 19 52-28 | BUSHING | | 1 |
| 178 | 532 19 97-82 | NETZ | | 1 |
| 180 | 583 90 27-01 | RAHMEN | | 1 |
| 182 | 532 43 89-67 | SCHALTBRETT | | 1 |
| 183 | 874 52 05-20 | BOLZEN | | 1 |
| 189 | 817 00 05-12 | SCHRAUBE | | 1 |
| 194 | 873 90 05-00 | MUTTER | | 1 |
| 195 | 532 40 41-37 | TROU*RPL.PAR 532401556428 | | 1 |
| 198 | 532 44 15-52 | INDIKATOR | | 1 |
| 199 | 532 41 87-39 | PLATTE | | 1 |
| 202 | 532 44 54-26 | DECKEL | RH | 1 |
| 203 | 532 44 55-83 | DECKEL | LH | 1 |
| 207 | 532 19 89-63 | REFLEKTOR | RH | 1 |
| 208 | 532 19 89-64 | REFLEKTOR | LH | 1 |
| 213 | 874 76 05-12 | BOLZEN | | 1 |
| 217 | 532 40 91-67 | STANGE | | 1 |
| 218 | 532 19 63-95 | PLATTE | | 1 |
| 225 | 532 44 38-25 | STOSSFÄNGER | | 1 |
| 226 | 532 42 47-16 | LOGO | | 1 |
| 228 | 532 19 51-61 | GEWINDESTIFT | | 1 |
| 235 | 532 40 61-29 | ABSTANDSSCHEIBE | | 1 |
| 236 | 873 93 05-00 | MUTTER | | 1 |
| 237 | 532 40 37-04 | STOPFEN | | 1 |
| 282 | 532 41 41-10 | KLAMMER | | 1 |
| 283 | 532 44 76-71 | BEFESTIGUNG | | 1 |
| 284 | 532 44 72-11 | BEFESTIGUNG | | 1 |
| 287 | 817 60 04-06 | SCHRAUBE | | 1 |
| 308 | 532 17 18-77 | BOLZEN | | 1 |
| 309 | 581 32 89-11 | BACKPLATE | | 1 |
| 319 | 581 31 39-06 | HEBEL | | 1 |
| 334 | 532 44 25-37 | HALTER | | 1 |
| 338 | 532 43 66-40 | BOLZEN | | 1 |
| 339 | 532 43 66-41 | HEBEL | | 1 |
| 340 | 581 32 90-01 | BATTERIE | | 1 |
| 342 | 532 43 59-38 | STÜTZE | | 1 |
| 343 | 532 44 07-49 | KLAMMER | | 1 |
| 344 | 532 43 89-70 | BEDIENELEMENT | | 1 |
| 345 | 532 44 06-39 | KNOPF | | 1 |
| 347 | 532 44 58-32 | HAKEN | | 1 |
| 349 | 532 43 66-06 | STÜTZE | | 1 |
| 366 | 581 31 46-02 | HALTER | | 1 |
| 367 | 581 31 45-02 | HALTER | | 1 |
| 368 | 581 42 48-01 | DECKEL | | 1 |
| -- | 532 40 09-44 | FRONT BUMPER *SUBS/2* | | 1 |



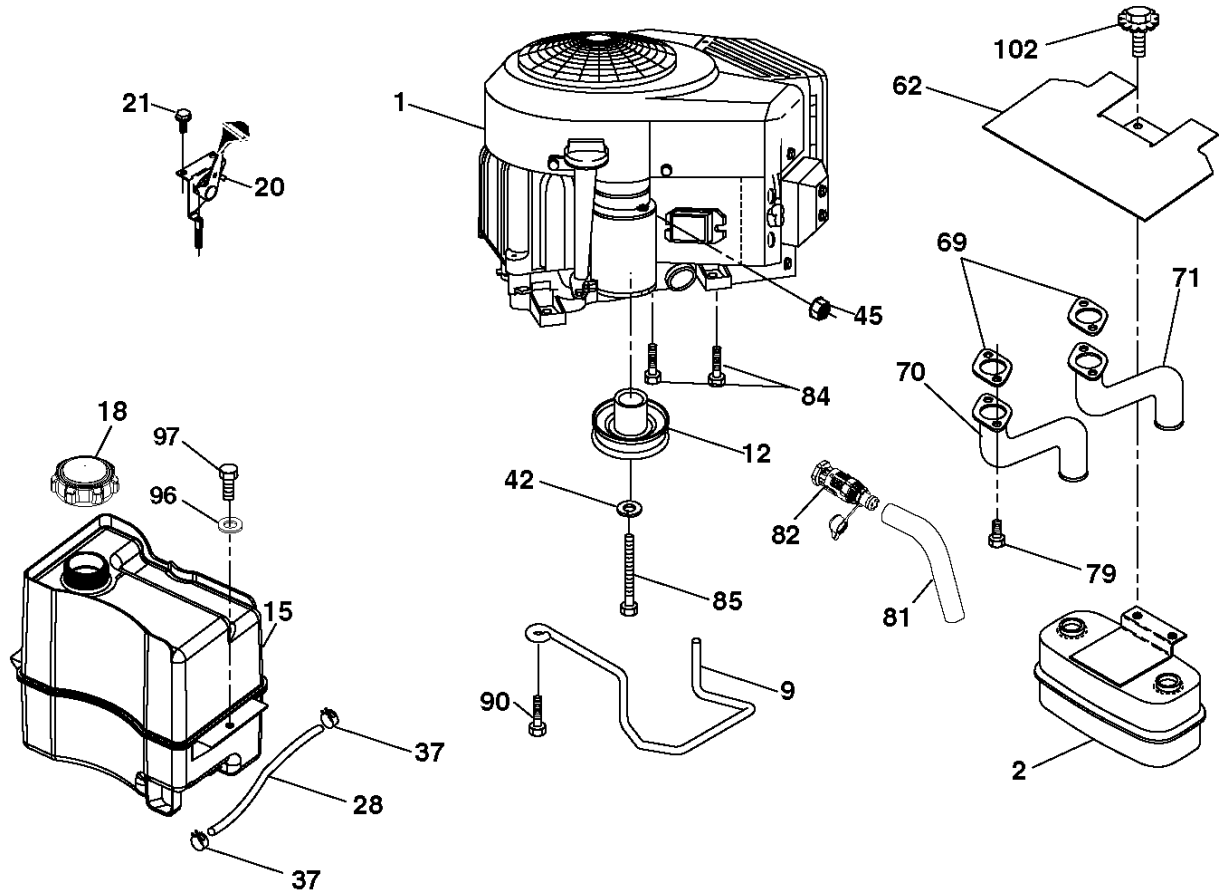
drive-TeXCrd-Gen2_K46_pedal_11

ANTRIEB

LT 2320 CMA2, 96051011200, 2013-06

| Referenz | Teile Nr | Beschreibung | Bemerkung: | ANZ KIT |
|----------|--------------|------------------|--------------------------------------|---------|
| 1 | 000 00 00-00 | W/O DESCRIPTION | Transaxle Tufftorq K46DF (446488) | 1 |
| 2 | 532 12 35-83 | TASTE | | 1 |
| 6 | 532 12 40-28 | BUSHING | | 1 |
| 17 | 532 43 62-27 | FEDER | | 1 |
| 26 | 532 19 96-79 | FEDER | | 1 |
| 27 | 817 49 05-28 | SCHRAUBE | | 1 |
| 29 | 532 44 27-95 | STANGE | | 1 |
| 30 | 819 13 16-16 | SCHEIBE | | 1 |
| 33 | 812 00 00-01 | SPRENGRING | | 1 |
| 35 | 583 86 45-01 | STANGE | | 1 |
| 37 | 532 18 89-67 | SCHEIBE | | 1 |
| 38 | 532 16 96-13 | HÜLSE | | 1 |
| 42 | 532 12 48-72 | PEDAL RUBBER | | 1 |
| 49 | 872 11 06-14 | BOLZEN | | 1 |
| 50 | 532 19 43-27 | RIEMENSCHLEIBE | | 1 |
| 51 | 873 90 06-00 | MUTTER | | 1 |
| 52 | 532 19 43-26 | RIEMENSCHLEIBE | | 1 |
| 56 | 532 44 27-81 | RIEMEN | | 1 |
| 61 | 532 44 51-51 | RIEMENSCHLEIBE | | 1 |
| 64 | 532 19 78-65 | WELLE | | 1 |
| 73 | 874 49 05-44 | SCHRAUBE | | 1 |
| 90 | 532 44 36-05 | BEFESTIGUNG | | 1 |
| 92 | 874 76 05-20 | BOLZEN | | 1 |
| 99 | 532 44 39-47 | STANGE | | 1 |
| 103 | 873 35 05-00 | MUTTER | | 1 |
| 116 | 873 90 05-00 | MUTTER | | 1 |
| 125 | 817 00 05-12 | SCHRAUBE | | 1 |
| 140 | 810 04 04-00 | SCHEIBE | | 1 |
| 143 | 817 49 05-08 | SCHRAUBE | | 1 |
| 159 | 876 02 04-12 | SPANNHÜLSE | | 1 |
| 160 | 532 16 94-84 | BOLZEN | | 1 |
| 161 | 532 10 57-09 | FEDER | | 1 |
| 163 | 532 44 27-93 | STANGE | | 1 |
| 166 | 532 42 91-64 | MUTTER | | 1 |
| 167 | 532 40 52-57 | SPERRHAKEN | | 1 |
| 175 | 532 42 93-59 | WELLE | | 1 |
| 183 | 532 13 70-57 | ABSTANDSSCHLEIBE | | 1 |
| 184 | 532 44 14-55 | EINSTELLHEBEL | | 1 |
| 185 | 872 11 06-22 | BOLZEN | | 1 |
| 186 | 532 19 43-21 | ABSTANDSSCHLEIBE | | 1 |
| 188 | 532 19 43-23 | GELENK | | 1 |
| 189 | 532 43 36-11 | BELLCRANK | | 1 |
| 195 | 532 43 58-65 | HALTER | | 1 |
| 203 | 819 11 11-16 | SCHEIBE | | 1 |
| 205 | 532 12 17-48 | SCHEIBE | | 1 |
| 206 | 532 19 78-67 | HALTER | | 1 |
| 207 | 532 19 78-68 | SPERRHAKEN | | 1 |
| 208 | 532 19 78-69 | STÜTZE | | 1 |
| 209 | 532 19 95-92 | STANGE | | 1 |
| 210 | 532 40 09-80 | PEDALARM | | 1 |
| 211 | 532 12 01-83 | LAGER | | 1 |
| 213 | 532 40 31-19 | BEDIENELEMENT | | 1 |
| 214 | 532 42 12-63 | KISSEN | | 1 |
| 215 | 532 41 94-82 | PEDAL RUBBER | | 1 |
| 221 | 532 40 31-87 | RETAINER SPRING | | 1 |
| 222 | 879 21 20-10 | SCHEIBE | | 1 |
| 226 | 532 40 15-64 | HALTER | | 1 |
| 227 | 817 49 05-12 | SCHRAUBE | | 1 |
| 279 | 532 44 42-83 | GELENK | | 1 |
| 280 | 819 11 10-12 | SCHEIBE | | 1 |
| 309 | 532 16 55-80 | HALTER | | 1 |
| 311 | 532 16 98-45 | SCHEIBE | | 1 |
| 312 | 532 16 56-14 | NABE | | 1 |

| Referenz | Teile Nr | Beschreibung | Bemerkung: | ANZ KIT |
|----------|--------------|------------------|------------|---------|
| 313 | 874 78 04-16 | BOLZEN | | 1 |
| 314 | 532 44 47-13 | HALTER | | 1 |
| 315 | 817 58 05-20 | BOLZEN | | 1 |
| 335 | 532 19 95-34 | RIEMENSCHLEIBE | | 1 |
| 339 | 532 43 68-67 | SPANNBAND | | 1 |
| 342 | 532 18 26-82 | RIEMENFÜHRUNG | | 1 |
| 351 | 532 43 69-98 | HALTER | | 1 |
| 352 | 532 43 56-45 | HALTER | | 1 |
| 355 | 532 43 56-69 | SPANNBAND | | 1 |
| 359 | 817 49 06-08 | SCHRAUBE | | 1 |
| 360 | 532 44 47-14 | MUTTER | | 1 |
| 362 | 532 43 68-12 | IDLER | | 1 |
| 363 | 532 44 27-80 | ABSTANDSSCHLEIBE | | 1 |
| 364 | 532 44 30-32 | HALTER | | 1 |



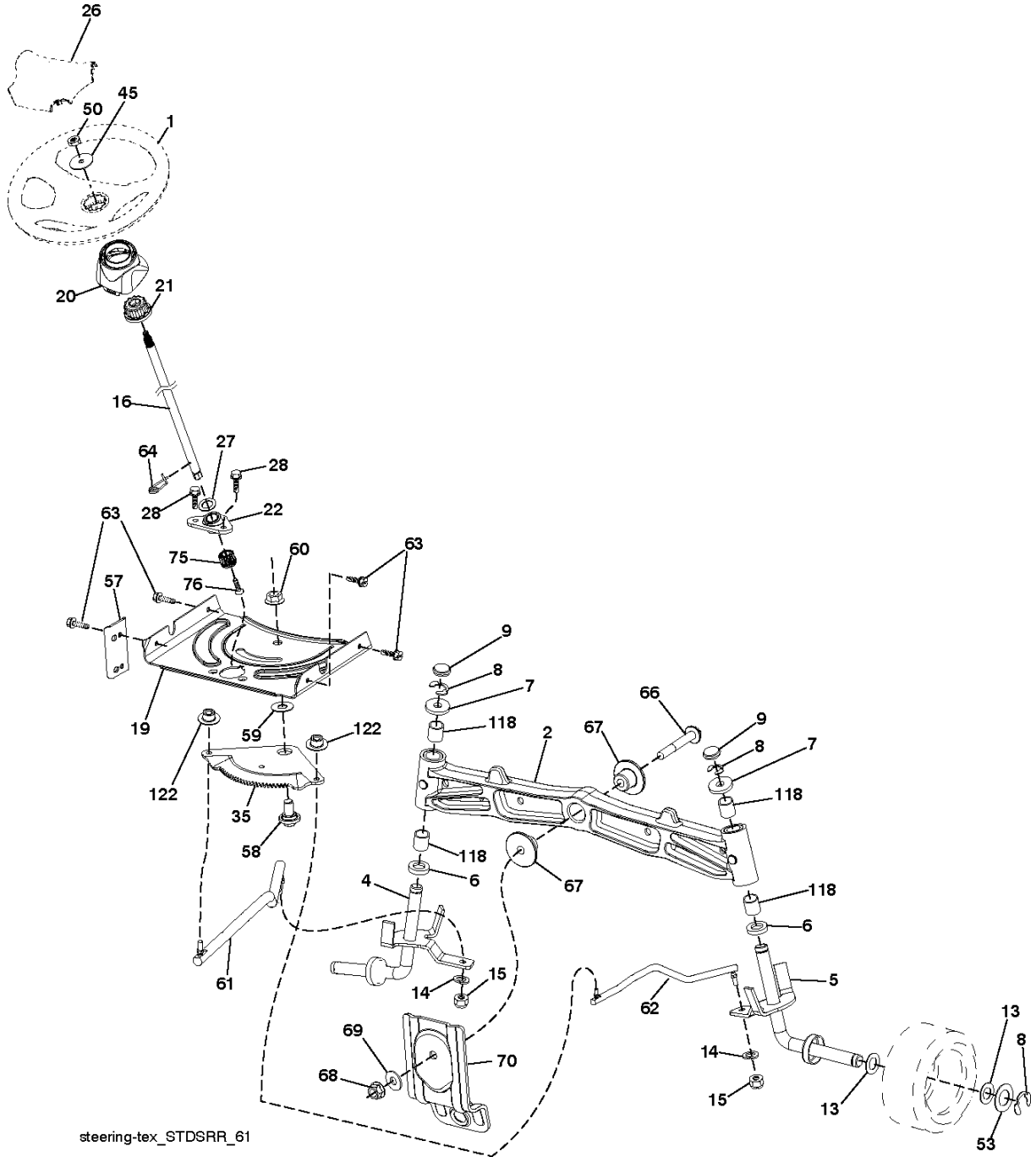
SPARK ARRESTER KIT

engine-tex_bs-2cyl_96_r1

MOTOR

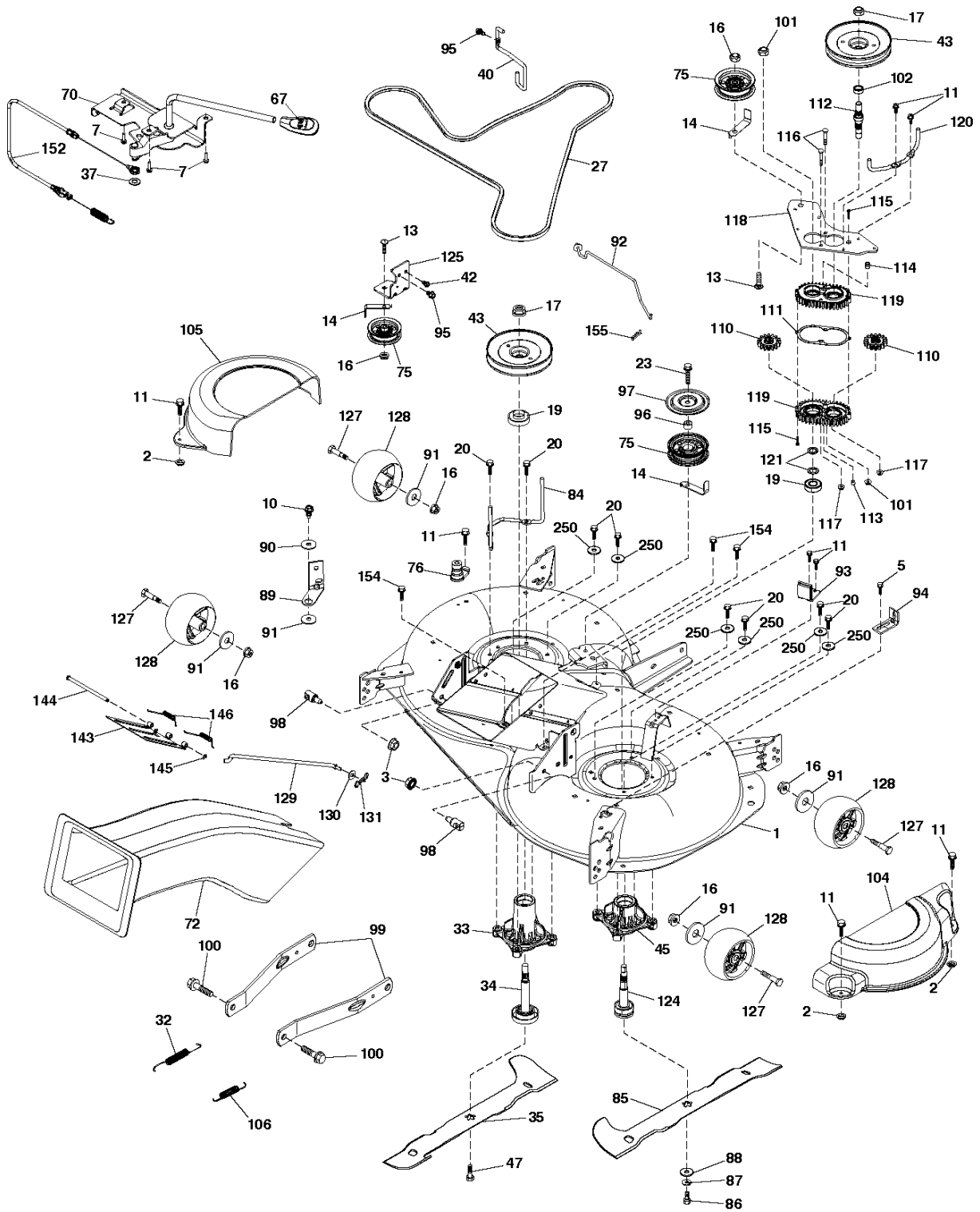
LT 2320 CMA2, 96051011200, 2013-06

| Referenz | Teile Nr | Beschreibung | Bemerkung: | ANZ KIT |
|----------|--------------|--------------------|-----------------------------------|---------|
| 1 | 000 00 00-00 | W/O DESCRIPTION | B&S 40R777-0004-B1 (585767101) | 1 |
| 2 | 532 14 97-23 | SCHALLDÄMPFER | | 1 |
| 9 | 584 90 80-01 | BEFESTIGUNG | | 1 |
| 12 | 532 40 54-71 | RIEMENSCHLEIBE | | 1 |
| 15 | 532 40 75-45 | KRAFTSTOFFTANK | | 1 |
| 18 | 532 43 02-20 | RADKAPPE | | 1 |
| 20 | 532 42 35-02 | BEDIENELEMENT | | 1 |
| 21 | 532 41 63-58 | SCHRAUBE | | 1 |
| 28 | 532 13 70-40 | SCHLAUCH | | 1 |
| 29 | 532 13 71-80 | SPARK ARRESTER KIT | | 1 |
| 37 | 532 12 34-87 | SCHLAUCHSCHELLE | | 1 |
| 42 | 810 04 07-00 | SCHEIBE | | 1 |
| 45 | 873 51 04-00 | MUTTER | | 1 |
| 62 | 532 43 40-17 | SCHIRM | | 1 |
| 69 | 532 16 53-91 | DICHTUNG | | 1 |
| 70 | 581 88 11-01 | ROHR | | 1 |
| 71 | 581 88 10-01 | ROHR | | 1 |
| 79 | 532 18 39-06 | SCHRAUBE | | 1 |
| 81 | 532 14 84-56 | ROHR | | 1 |
| 82 | 532 42 82-87 | STOPFEN | | 1 |
| 84 | 817 06 06-20 | SCHRAUBE | | 1 |
| 85 | 532 17 39-37 | BOLZEN | | 1 |
| 90 | 817 00 06-16 | SCHRAUBE | | 1 |
| 96 | 819 09 14-16 | SCHEIBE | | 1 |
| 97 | 817 67 04-12 | SCHRAUBE | | 1 |
| 102 | 817 00 05-12 | SCHRAUBE | | 1 |



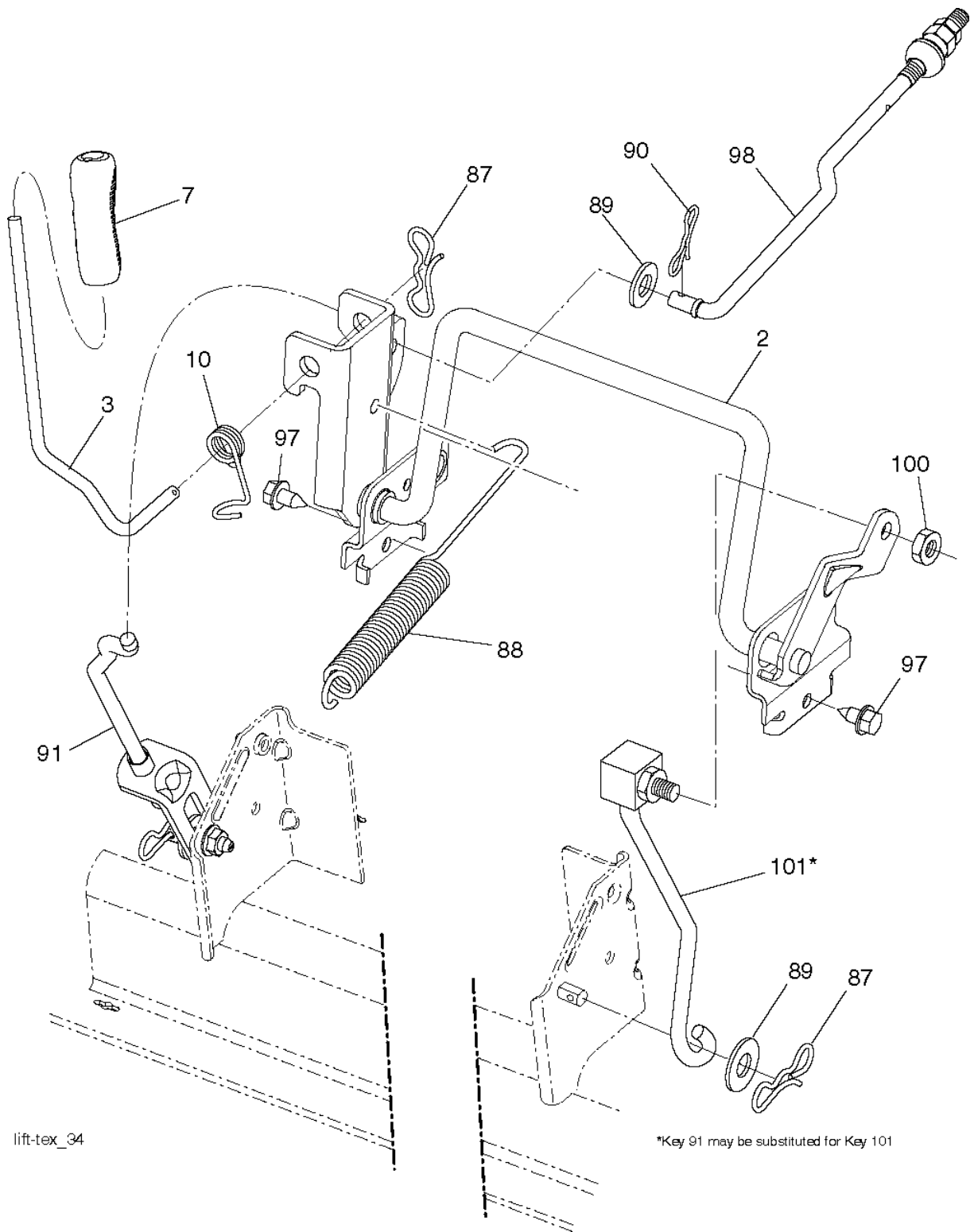
steering-tex_STDSRR_61

| Referenz | Teile Nr | Beschreibung | Bemerkung: | ANZ KIT |
|----------|--------------|--------------|------------|---------|
| 1 | 532 42 41-46 | LENKRAD | | 1 |
| 2 | 532 41 35-91 | STÜTZE | | 1 |
| 4 | 532 40 30-87 | SPINDEL | LH | 1 |
| 5 | 532 40 30-88 | SPINDEL | RH | 1 |
| 6 | 532 12 49-31 | SCHEIBE | | 1 |
| 7 | 532 12 17-48 | SCHEIBE | | 1 |
| 8 | 812 00 00-29 | SPRENGRING | | 1 |
| 9 | 532 12 12-32 | RADKAPPE | | 1 |
| 13 | 532 12 17-49 | SCHEIBE | | 1 |
| 14 | 810 04 06-00 | SCHEIBE | | 1 |
| 15 | 873 54 06-00 | MUTTER | | 1 |
| 16 | 587 01 60-02 | WELLE | | 1 |
| 19 | 532 19 47-29 | PLATTE | | 1 |
| 20 | 532 42 47-40 | STIEFEL | | 1 |
| 21 | 586 84 02-01 | ADAPTER | | 1 |
| 22 | 585 02 98-02 | LAGER | | 1 |
| 26 | 532 42 41-47 | RADKAPPE | | 1 |
| 27 | 819 21 16-16 | SCHEIBE | | 1 |
| 28 | 817 00 06-12 | SCHRAUBE | | 1 |
| 35 | 532 19 47-32 | PLATTE | | 1 |
| 45 | 587 01 64-01 | SCHEIBE | | 1 |
| 50 | 873 90 06-00 | MUTTER | | 1 |
| 53 | 532 18 89-67 | SCHEIBE | | 1 |
| 57 | 532 40 74-65 | HALTER | | 1 |
| 58 | 532 19 47-47 | BOLZEN | | 1 |
| 59 | 532 19 47-48 | SCHEIBE | | 1 |
| 60 | 873 97 10-00 | MUTTER | | 1 |
| 61 | 532 19 47-40 | GELENK | LH | 1 |
| 62 | 532 19 47-41 | GELENK | RH | 1 |
| 63 | 817 00 05-12 | SCHRAUBE | | 1 |
| 64 | 532 19 98-49 | FEDERHALTER | | 1 |
| 66 | 871 02 07-48 | BOLZEN | | 1 |
| 67 | 532 19 47-37 | BUSHING | | 1 |
| 68 | 873 90 07-00 | MUTTER | | 1 |
| 69 | 532 19 91-62 | SCHEIBE | | 1 |
| 70 | 532 19 61-97 | HALTER | | 1 |
| 75 | 580 68 37-01 | TREIBRAD | | 1 |
| 76 | 580 68 36-01 | SCHRAUBE | | 1 |
| 118 | 532 40 60-13 | LAGER | | 1 |
| 122 | 532 44 49-62 | HUT | | 1 |

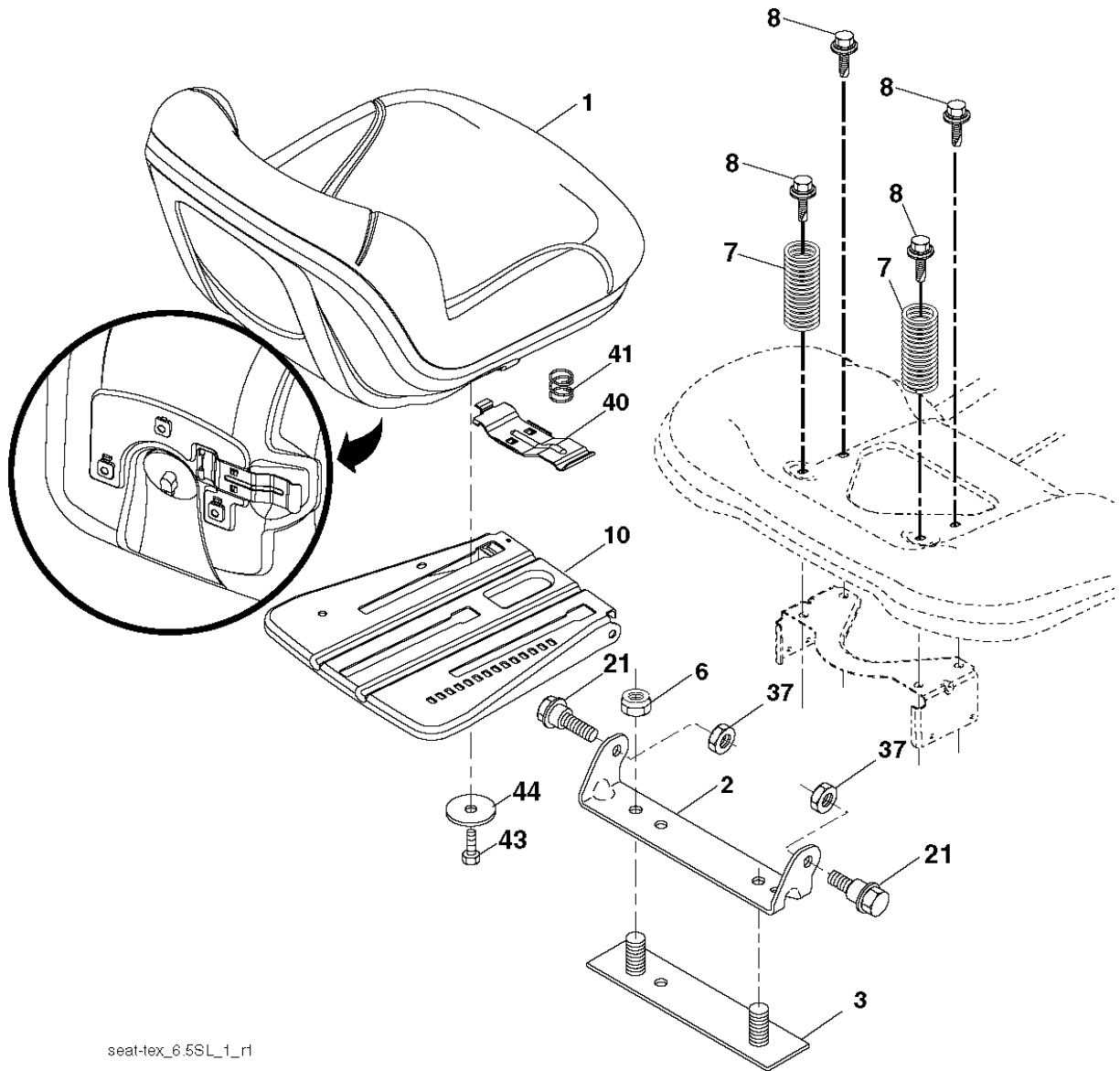


| Referenz | Teile Nr | Beschreibung | Bemerkung: | ANZ KIT |
|----------|--------------|------------------------------|------------|---------|
| 1 | 532 44 77-36 | DECKRAHMEN | | 1 |
| 2 | 532 42 30-62 | MUTTER | | 1 |
| 3 | 873 90 05-00 | MUTTER | RH | 1 |
| 5 | 817 00 05-10 | BOLZEN | | 1 |
| 7 | 532 41 63-58 | SCHRAUBE | | 1 |
| 10 | 817 00 06-16 | SCHRAUBE | | 1 |
| 11 | 532 13 77-29 | SCHRAUBE | | 1 |
| 13 | 872 11 06-12 | BOLZEN | | 1 |
| 14 | 532 15 60-85 | RIEMENFÜHRUNG | | 1 |
| 16 | 873 90 06-00 | MUTTER | | 1 |
| 17 | 532 40 02-34 | MUTTER | | 1 |
| 19 | 585 32 39-01 | LAGER | | 1 |
| 20 | 532 17 39-84 | SCHRAUBE | | 1 |
| 23 | 817 49 06-28 | SCHRAUBE | | 1 |
| 27 | 532 44 58-80 | RIEMEN | | 1 |
| 32 | 532 40 18-72 | FEDER | | 1 |
| 33 | 580 79 61-01 | DORN | | 1 |
| 34 | 587 25 65-01 | WELLE | | 1 |
| 35 | 581 51 79-01 | MESSER | | 1 |
| 37 | 819 13 13-16 | SCHEIBE | | 1 |
| 40 | 532 19 72-58 | RIEMENFÜHRUNG | | 1 |
| 42 | 817 00 05-12 | SCHRAUBE | | 1 |
| 43 | 532 44 32-39 | RIEMENSCHLEIBE | | 1 |
| 45 | 581 65 08-01 | GEHÄUSE | | 1 |
| 47 | 584 30 93-01 | SCHRAUBE | | 1 |
| 67 | 532 40 30-12 | EINSTELLHEBEL | | 1 |
| 70 | 532 19 99-72 | KUPPLUNG KPL. | | 1 |
| 72 | 581 45 41-02 | AUSWURFROHR | | 1 |
| 75 | 532 13 14-94 | RIEMENSCHLEIBE | | 1 |
| 76 | 532 41 55-98 | SCHLAUCHANSCHLUSS | | 1 |
| 84 | 532 44 32-35 | BEFESTIGUNG | | 1 |
| 85 | 581 51 80-01 | MESSER | | 1 |
| 86 | 532 18 17-13 | BOLZEN | | 1 |
| 87 | 810 03 06-00 | SCHEIBE | | 1 |
| 88 | 532 14 02-96 | SCHEIBE | | 1 |
| 89 | 532 19 72-61 | ARM | | 1 |
| 90 | 532 19 90-92 | ABSTANDSSCHLEIBE | | 1 |
| 91 | 819 13 20-12 | SCHEIBE | | 1 |
| 92 | 532 44 32-33 | STANGE | | 1 |
| 93 | 532 43 81-25 | ARM | | 1 |
| 94 | 532 19 72-50 | HALTER | | 1 |
| 95 | 817 00 06-12 | SCHRAUBE | | 1 |
| 96 | 532 40 02-71 | ABSTANDSSCHLEIBE | | 1 |
| 97 | 532 18 20-61 | PROTECTOR | | 1 |
| 98 | 532 19 51-61 | GEWINDESTIFT | | 1 |
| 99 | 532 19 51-86 | ARM | | 1 |
| 100 | 532 19 65-39 | BOLZEN | | 1 |
| 101 | 873 68 09-00 | MUTTER | | 1 |
| 102 | 532 40 25-11 | ABSTANDSSCHLEIBE | | 1 |
| 104 | 581 71 40-01 | DECKEL | | 1 |
| 105 | 532 44 47-55 | DECKEL | | 1 |
| 106 | 532 19 32-16 | RESSORT RETOUR FREIN DE LAME | | 1 |
| 110 | 532 41 53-56 | STUFENRAD A | | 1 |
| 111 | 532 43 69-79 | DICHTUNG | | 1 |
| 112 | 532 44 38-52 | WELLE | | 1 |
| 113 | 532 43 85-33 | STOPFEN | | 1 |
| 114 | 532 43 85-34 | VENTIL | | 1 |
| 115 | 818 03 10-16 | SCHRAUBE | | 1 |
| 116 | 872 11 04-14 | BOLZEN | | 1 |
| 117 | 873 90 04-00 | MUTTER | | 1 |
| 118 | 532 44 32-32 | ARM | | 1 |
| 119 | 532 43 81-66 | GEARCASE | | 1 |
| 120 | 532 44 32-36 | BEFESTIGUNG | | 1 |
| 121 | 532 43 69-85 | SCHEIBE | | 1 |

| Referenz | Teile Nr | Beschreibung | Bemerkung: | ANZ KIT |
|----------|--------------|--------------|---|---------|
| 124 | 532 43 69-86 | WELLE | | 1 |
| 125 | 532 44 04-20 | HALTER | | 1 |
| 127 | 532 19 34-06 | BOLZEN | | 1 |
| 128 | 532 17 48-73 | LAUFRAD | | 1 |
| 129 | 532 44 32-37 | STANGE | | 1 |
| 130 | 819 13 13-12 | SCHEIBE | | 1 |
| 131 | 532 19 42-08 | BOLZEN | | 1 |
| 143 | 532 43 81-97 | DECKEL | | 1 |
| 144 | 532 43 58-61 | KOLBEN | | 1 |
| 145 | 532 43 79-88 | RING | | 1 |
| 146 | 532 44 58-96 | FEDER | | 1 |
| 152 | 532 44 76-66 | KABEL | | 1 |
| 154 | 532 19 98-55 | SCHRAUBE | | 1 |
| 155 | 532 12 47-88 | SPRENGRING | | 1 |
| 250 | 819 11 12-12 | SCHEIBE | | 1 |
| -- | 587 12 61-05 | DORN | MANDREL ASSEMBLY TALL (Includes Housing (key #33), (Shaft key #34) and (Bearing key #19) only - Pulley/Nut/Washer and Blade Bolt/Washers Not Included) | 1 |
| -- | 532 44 73-16 | GEHÄUSE | | 1 |
| -- | 581 65 05-01 | DORN | MANDREL ASSEMBLY SHORT (Includes Housing (key #45), Shaft Assembly (key #124), and Bearing (key #19) only - Pulley/Nut/Washer and Blade Bolt/Washers Not Included) | 1 |

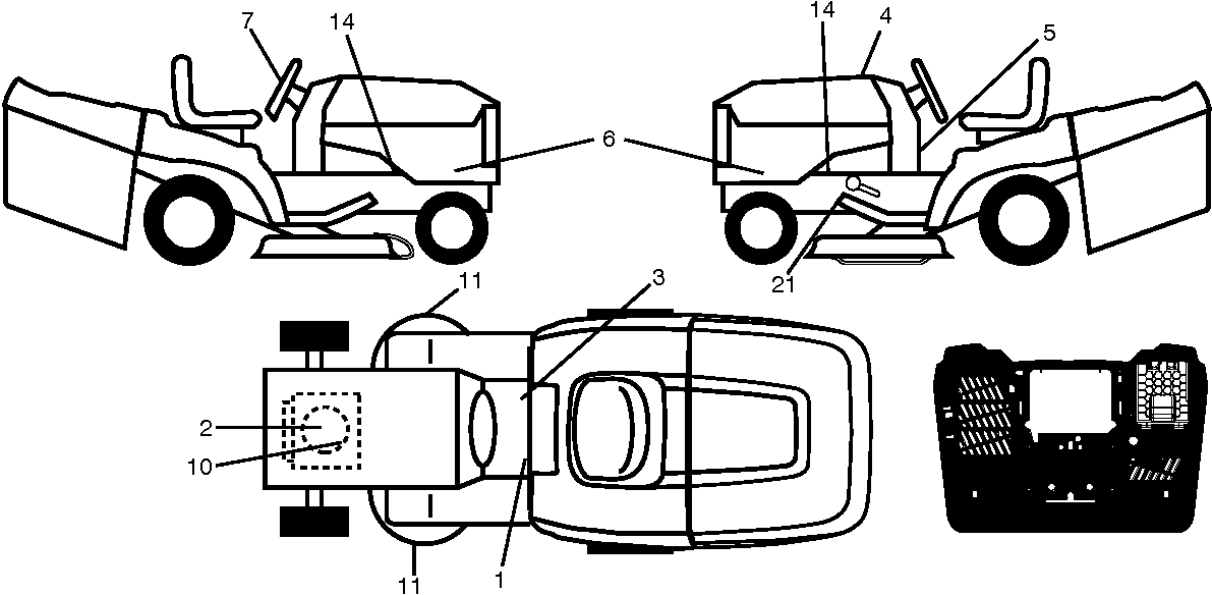


| Referenz | Teile Nr | Beschreibung | Bemerkung: | ANZ KIT |
|----------|--------------|--------------|------------|---------|
| 2 | 532 43 69-96 | WELLE | RH | 1 |
| 3 | 532 19 52-31 | HEBEL | RH | 1 |
| 7 | 580 96 23-01 | GRIFF | | 1 |
| 10 | 532 19 63-14 | FEDER | | 1 |
| 87 | 532 19 42-09 | FEDER | | 1 |
| 88 | 532 44 54-96 | FEDER | | 1 |
| 89 | 819 19 19-12 | SCHEIBE | | 1 |
| 90 | 532 19 42-08 | BOLZEN | | 1 |
| 91 | 532 19 51-81 | GELENK | | 1 |
| 97 | 817 49 06-08 | SCHRAUBE | | 1 |
| 98 | 532 19 52-70 | GELENK | | 1 |
| 100 | 873 93 06-00 | MÜTTER | | 1 |
| 101 | 532 40 70-03 | GELENK | | 1 |

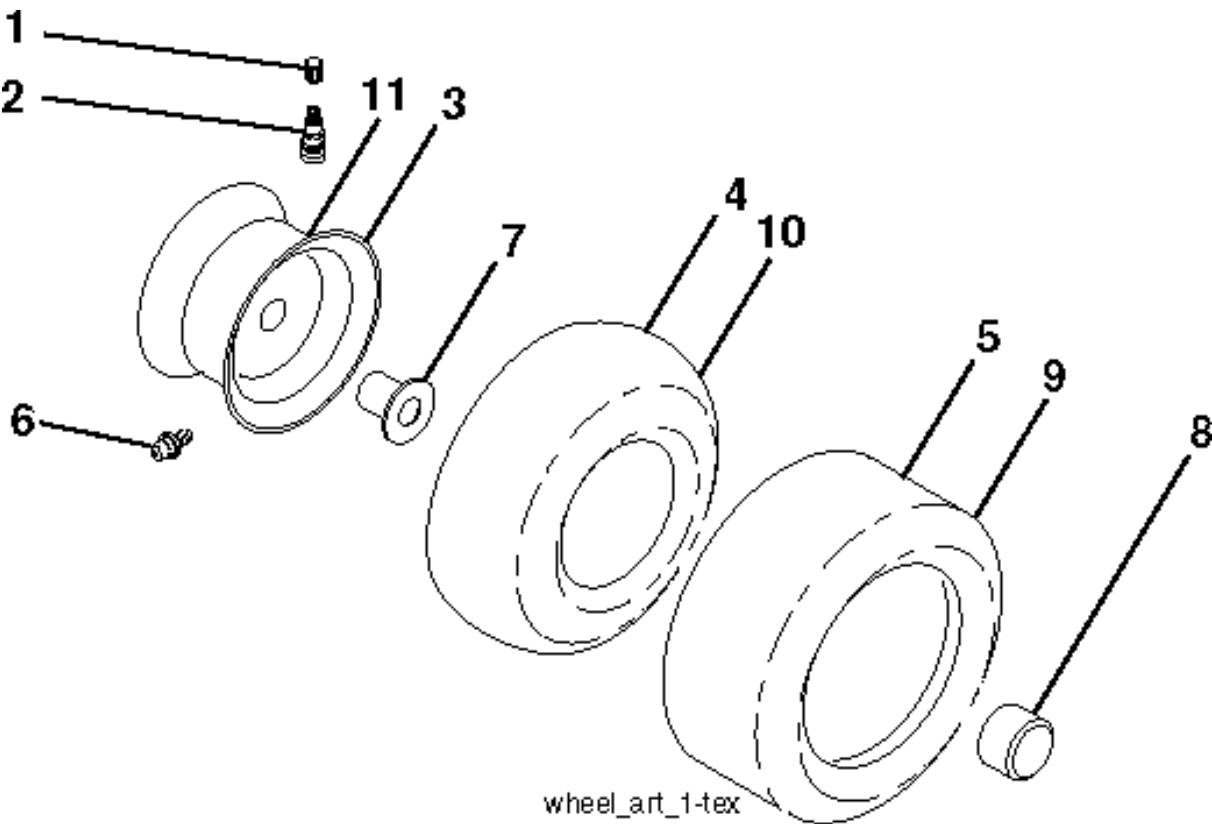


seat-hex_6 5SL_1_r1

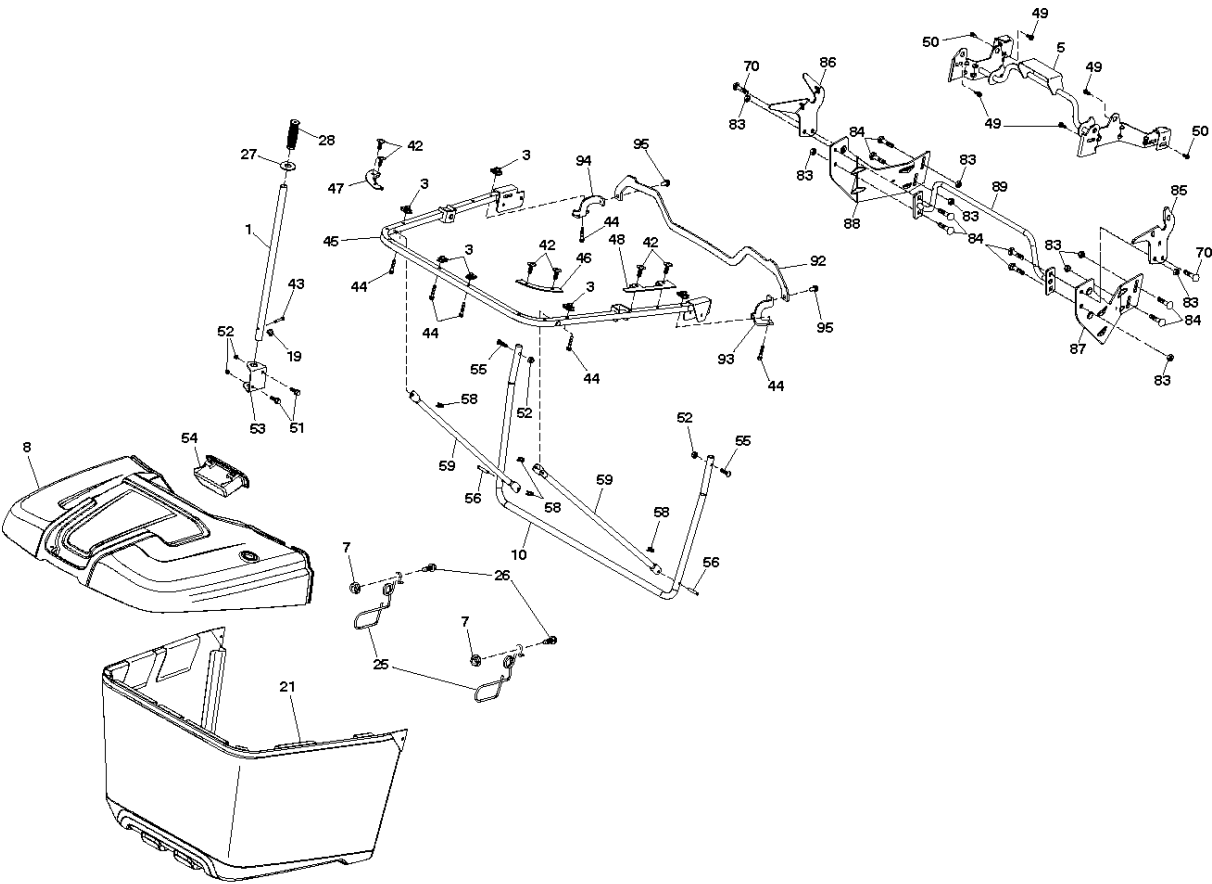
| Referenz | Teile Nr | Beschreibung | Bemerkung: | ANZ KIT |
|----------|--------------|---------------|------------|---------|
| 1 | 532 40 66-25 | SITZ | | 1 |
| 2 | 532 18 01-66 | HALTER | | 1 |
| 3 | 532 14 06-75 | SPANNBAND | | 1 |
| 6 | 873 80 06-00 | MUTTER | | 1 |
| 7 | 532 12 41-81 | FEDER | | 1 |
| 8 | 532 17 18-77 | BOLZEN | | 1 |
| 10 | 532 19 69-77 | PLATTE | | 1 |
| 21 | 532 17 18-52 | BOLZEN | | 1 |
| 37 | 873 80 05-00 | LOCK NUT | | 1 |
| 40 | 532 19 76-61 | EINSTELLHEBEL | | 1 |
| 41 | 532 19 82-00 | FEDER | | 1 |
| 43 | 874 76 06-12 | BOLZEN | | 1 |
| 44 | 819 13 38-12 | SCHEIBE | | 1 |



| Referenz | Teile Nr | Beschreibung | Bemerkung: | ANZ KIT |
|----------|--------------|--------------|------------|---------|
| 1 | 581 57 83-01 | Folie | | 1 |
| 2 | 581 57 97-01 | Folie | | 1 |
| 3 | 581 72 41-01 | Folie | | 1 |
| 4 | 581 60 17-01 | Folie | | 1 |
| 5 | 581 57 84-01 | Folie | | 1 |
| 6 | 581 77 75-01 | Folie | | 1 |
| 7 | 532 43 74-45 | Folie | | 1 |
| 10 | 581 59 40-01 | Folie | | 1 |
| 11 | 581 57 91-01 | Folie | | 1 |
| 14 | 581 57 96-01 | Folie | | 1 |
| 21 | 532 44 11-89 | Folie | | 1 |
| -- | 532 44 51-02 | Folie | | 1 |
| -- | 532 44 46-19 | Folie | | 1 |
| -- | 532 44 54-93 | Folie | | 1 |
| -- | 532 42 59-76 | KISSEN | | 1 |
| -- | 532 42 59-86 | KISSEN | | 1 |

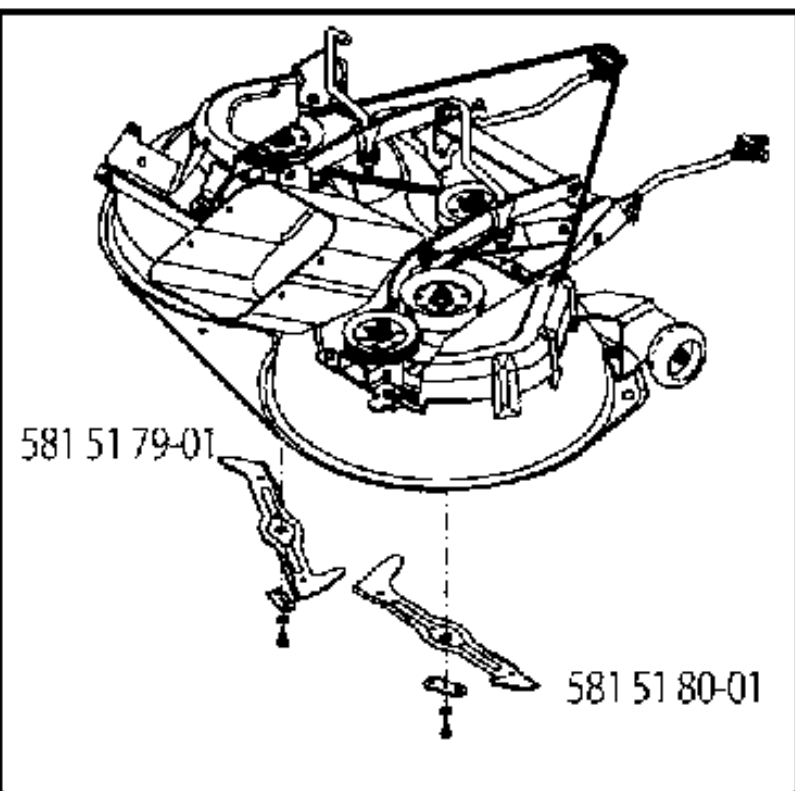
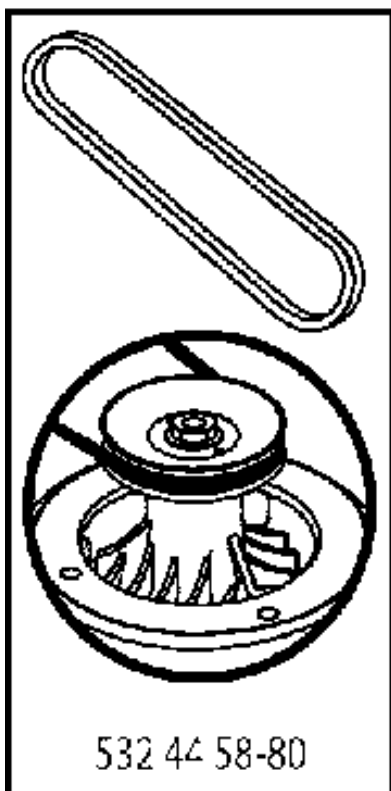
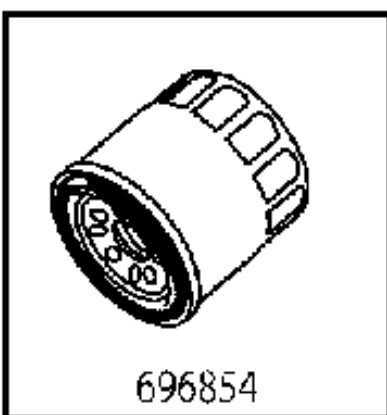
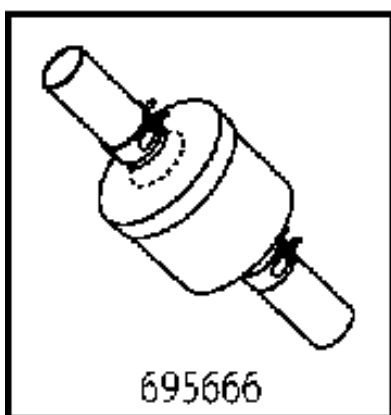
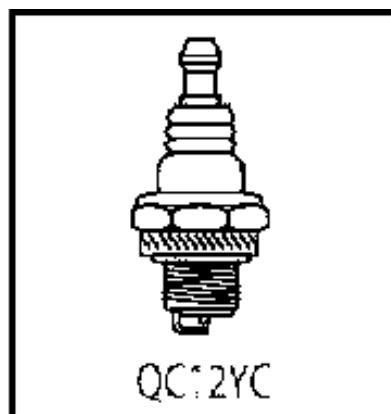
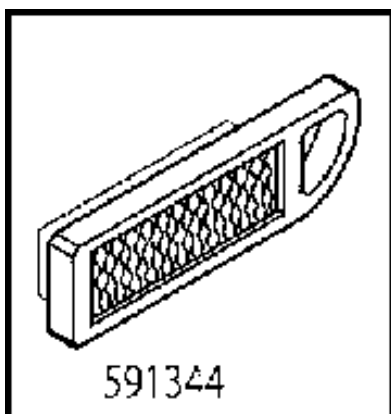


| Referenz | Teile Nr | Beschreibung | Bemerkung: | ANZ KIT |
|----------|--------------|--------------|---------------------|---------|
| 1 | 532 05 91-92 | CAP VALVE | | 1 |
| 2 | 532 06 51-39 | NIPPEL | | 1 |
| 3 | 532 13 83-36 | FELGE | Front 6" | 1 |
| 4 | 532 05 99-04 | SCHLAUCH | (Service Item Only) | 1 |
| 5 | 532 10 62-22 | REIFEN | Front 15" x 6.0"-6" | 1 |
| 6 | 532 12 49-57 | NIPPEL | (Front Wheel Only) | 1 |
| 7 | 532 12 49-59 | LAGER | (Front Wheel Only) | 1 |
| 8 | 532 17 50-39 | RADKAPPE | | 1 |
| 9 | 532 42 05-31 | REIFEN | Rear 18" x 9.5"-8" | 1 |
| 10 | 532 12 49-26 | SCHLAUCH | (Service Item Only) | 1 |
| 11 | 532 13 83-37 | RINGRITZEL | Rear 8" | 1 |
| | 532 14 43-34 | SEALING FOAM | | 1 |



Bagger_TexCPD-Gen2_8

| Referenz | Teile Nr | Beschreibung | Bemerkung: | ANZ KIT |
|----------|--------------|---------------|------------|---------|
| 1 | 532 42 86-10 | ROHR | | 1 |
| 3 | 532 17 48-14 | MUTTER | | 1 |
| 5 | 532 44 37-62 | RAHMEN | | 1 |
| 7 | 873 90 04-00 | MUTTER | | 1 |
| 8 | 532 44 78-28 | DECKEL | | 1 |
| 10 | 532 44 37-55 | RAHMEN | | 1 |
| 19 | 532 19 42-08 | BOLZEN | | 1 |
| 21 | 532 44 41-90 | TASCHE | | 1 |
| 25 | 532 44 55-28 | SPERRHAKEN | | 1 |
| 26 | 817 49 04-12 | SCHRAUBE | | 1 |
| 27 | 532 44 55-29 | DICHTSCHEIBE | | 1 |
| 28 | 532 16 57-87 | EINSTELLHEBEL | | 1 |
| 42 | 532 44 04-28 | KLAMMER | | 1 |
| 43 | 532 12 68-75 | NIETE | | 1 |
| 44 | 532 19 96-87 | SCHRAUBE | | 1 |
| 45 | 532 44 37-54 | RAHMEN | | 1 |
| 46 | 532 44 55-41 | KONTAKTSTÜCK | | 1 |
| 47 | 532 44 40-79 | KONTAKTSTÜCK | | 1 |
| 48 | 532 44 40-80 | PLATTE | | 1 |
| 49 | 532 17 18-73 | BOLZEN | | 1 |
| 50 | 532 17 18-77 | BOLZEN | | 1 |
| 51 | 872 11 05-06 | BOLZEN | | 1 |
| 52 | 873 80 05-00 | LOCK NUT | | 1 |
| 53 | 532 44 41-95 | HALTER | | 1 |
| 54 | 532 44 75-43 | RAHMEN | | 1 |
| 55 | 872 14 05-12 | BOLZEN | | 1 |
| 56 | 532 42 03-06 | STIFT | | 1 |
| 58 | 532 08 51-79 | KLAMMER | | 1 |
| 59 | 532 44 47-63 | ROHR | | 1 |
| 70 | 817 00 06-12 | SCHRAUBE | | 1 |
| 83 | 873 80 06-00 | MUTTER | | 1 |
| 84 | 872 11 06-08 | BOLZEN | | 1 |
| 85 | 581 31 44-02 | HALTER | | 1 |
| 86 | 581 31 43-02 | HALTER | | 1 |
| 87 | 581 31 48-02 | HALTER | | 1 |
| 88 | 581 31 47-02 | HALTER | | 1 |
| 89 | 581 31 51-04 | TUBE ASSY | | 1 |
| 92 | 586 05 23-02 | HALTER | | 1 |
| 93 | 586 05 24-02 | HALTER | | 1 |
| 94 | 586 05 25-02 | HALTER | | 1 |
| 95 | 817 00 05-12 | SCHRAUBE | | 1 |



581601701

HÄUFIG VERWENDETE TEILE

LT 2320 CMA2, 96051011200, 2013-06

| Referenz | Teile Nr | Beschreibung | Bemerkung: | ANZ KIT |
|-----------|--------------|----------------|------------|---------|
| 591344 | TBD | TBD | | 1 |
| QC12YC | QC12YC | TBD | | 1 |
| 695666 | 695666 | BENZINFILTER | | 1 |
| 696854 | 696854 | LFILTER CTH170 | | 1 |
| 532442781 | 532 44 27-81 | RIEMEN | | 1 |
| 532445880 | 532 44 58-80 | RIEMEN | | 1 |
| 581517901 | 581 51 79-01 | MESSER | | 1 |
| 581518001 | 581 51 80-01 | MESSER | | 1 |