



SPARE PARTS LIST

TRACTORS/RIDE MOWERS

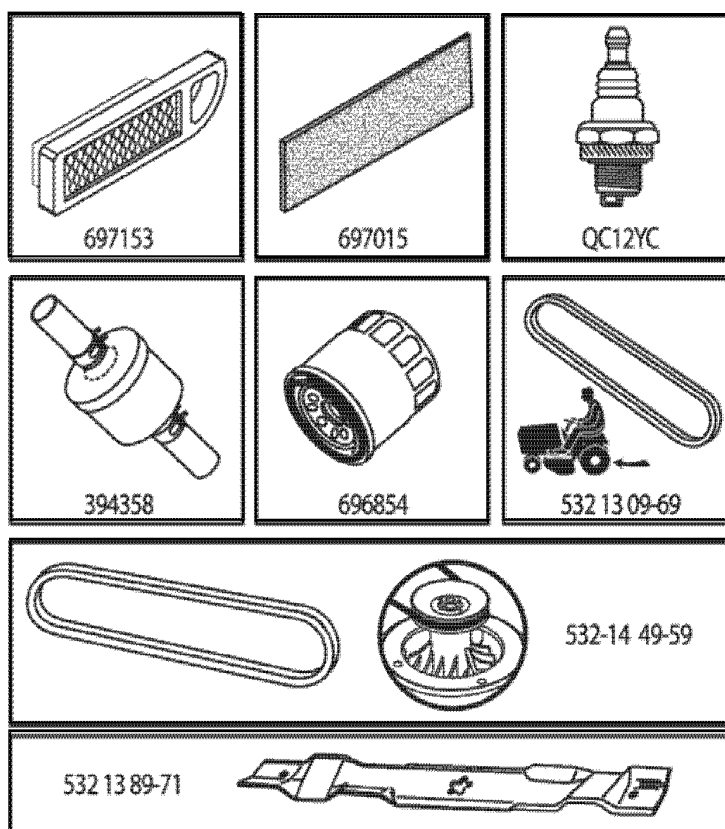
LT 2218 A, 96041003600, 960410036,
2007-04

ILLUSTRATED PARTS LIST

MODEL NO. 96041003600

CUSTOMER CATALOG NO. LT2218A

PRODUCT NO. 960 41 00-36

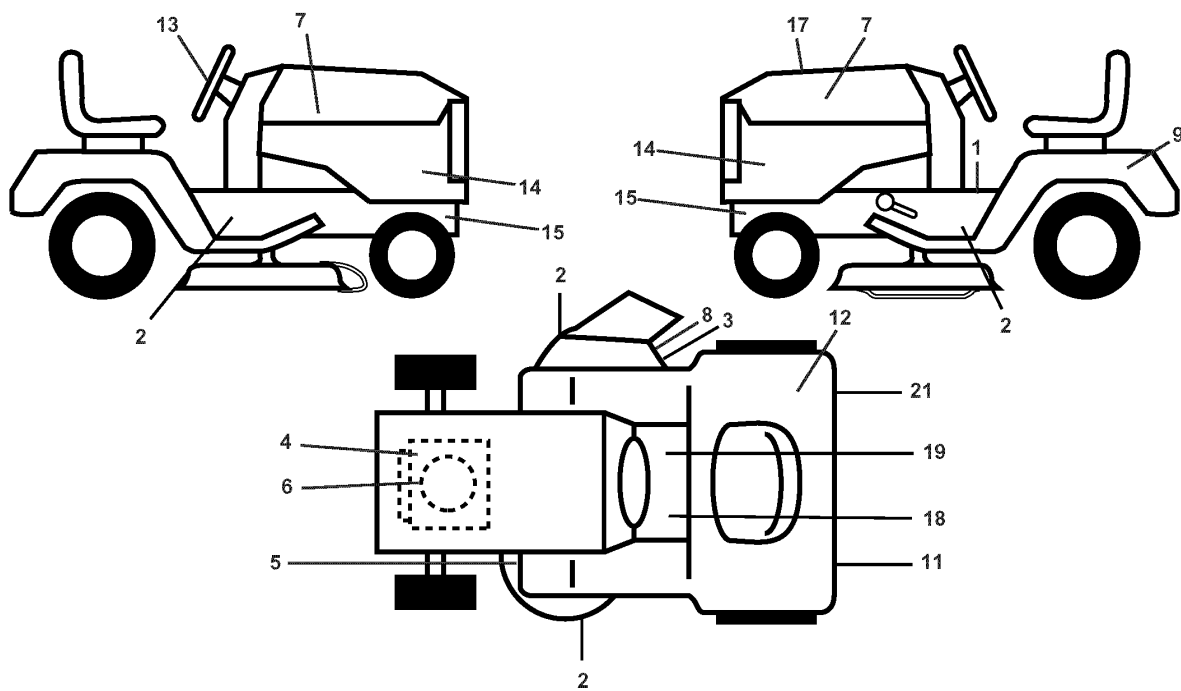


HÄUFIG VERWENDETE TEILE

LT 2218 A, 96041003600, 960410036, 2007-04

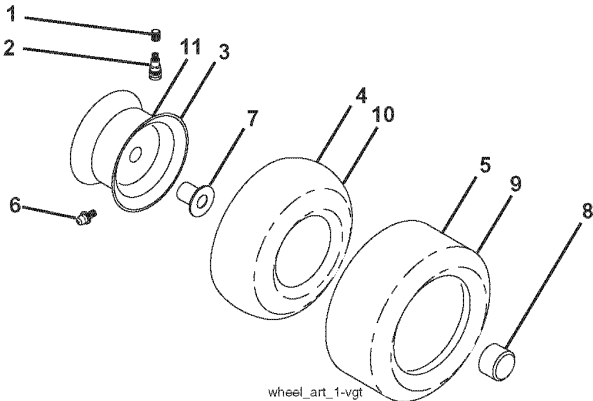
| Teile Nr | Beschreibung | Bemerkung: | ANZ KIT |
|--------------|----------------|------------|---------|
| 394358 | FILTER | | 1 |
| 532 13 09-69 | RIEMEN | | 1 |
| 532 13 89-71 | MESSER | | 1 |
| 532 14 49-59 | RIEMEN | | 1 |
| 696854 | LFILTER CTH170 | | 1 |
| 697015 | VORFILTER | | 1 |
| 697153 | LUFTFILTER | | 1 |

TRACTOR - - MODEL NUMBER LT2218A (96041003600), PRODUCT NO. 960 41 00-36
DECALS



| Referenz | Teile Nr | Beschreibung | Bemerkung: | ANZ KIT |
|----------|--------------|----------------------------|------------|---------|
| 1 | 532 40 03-89 | AUFKLEBER | | 1 |
| 2 | 532 19 68-42 | Folie | | 1 |
| 3 | 532 19 63-57 | DECALC."DANGER DEFLECTEUR" | | 1 |
| 4 | 532 19 68-41 | Folie | | 1 |
| 5 | 532 16 03-96 | Folie | | 1 |
| 6 | 532 40 94-65 | Folie | | 1 |
| 7 | 532 18 95-53 | Folie | | 1 |
| 8 | 532 18 21-66 | Folie | | 1 |
| 9 | 532 14 50-05 | Folie | | 1 |
| 11 | 532 18 39-30 | Folie | | 1 |
| 12 | 532 18 04-32 | Folie | | 1 |
| 13 | 532 18 57-73 | Folie | | 1 |
| 14 | 532 40 90-02 | Folie | | 1 |
| 15 | 532 15 97-36 | Folie | | 1 |
| 17 | 532 40 86-25 | Folie | | 1 |
| 18 | 532 15 97-37 | Folie | | 1 |
| 19 | 532 14 08-37 | Folie | | 1 |
| 21 | 532 40 90-03 | Folie | | 1 |
| - | 532 16 69-60 | Folie | | 1 |
| - | 532 16 25-98 | Folie | | 1 |
| - | 532 40 95-04 | KISSEN | | 1 |
| - | 532 41 12-73 | KISSEN | | 1 |
| - | 532 40 87-05 | OPERATOR'S MANUAL | | 1 |

**TRACTOR - - MODEL NUMBER LT2218A (96041003600), PRODUCT NO. 960 41 00-36
WHEELS AND TIRES**

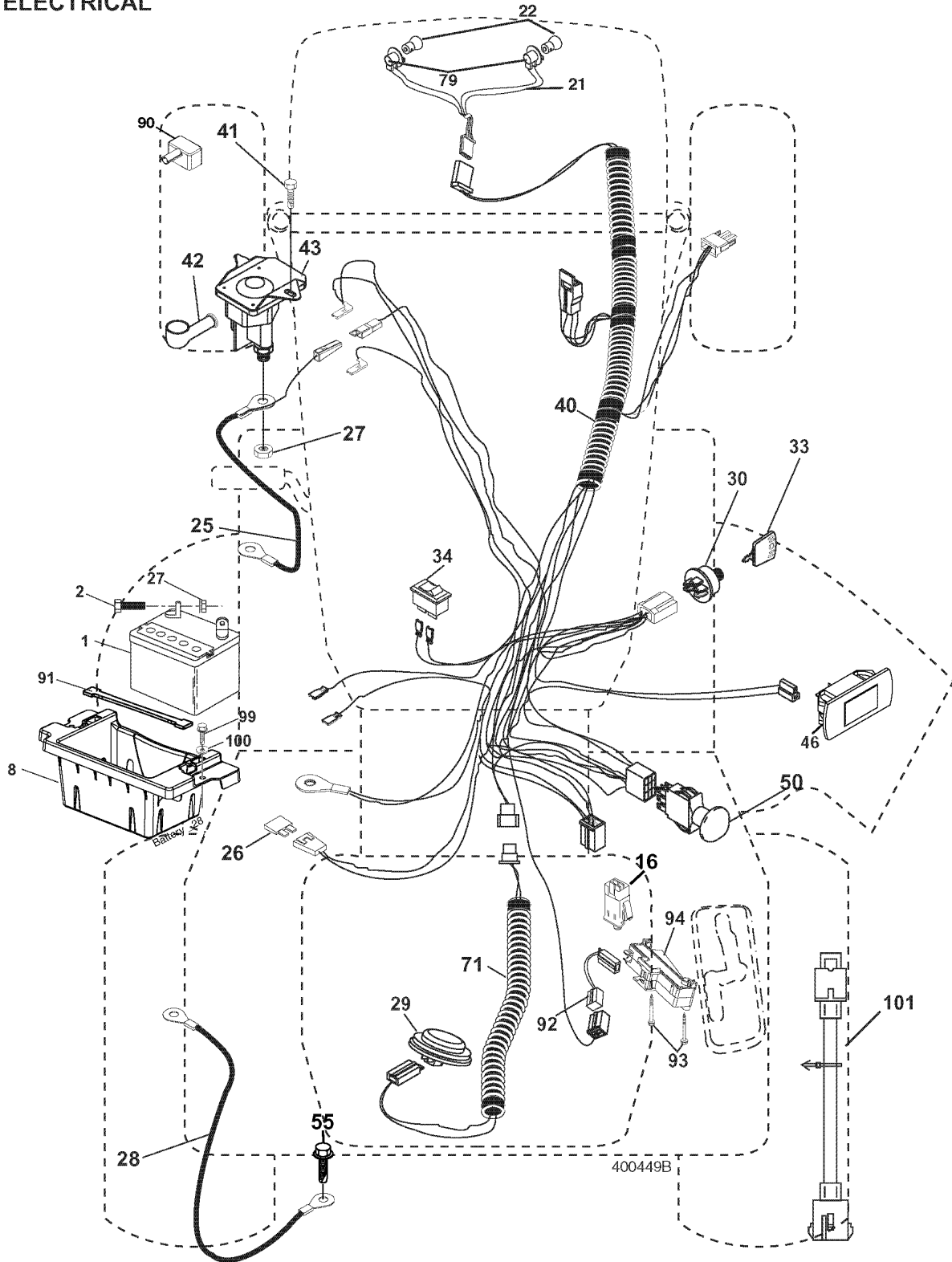


RÄDER & REIFEN

LT 2218 A, 96041003600, 960410036, 2007-04

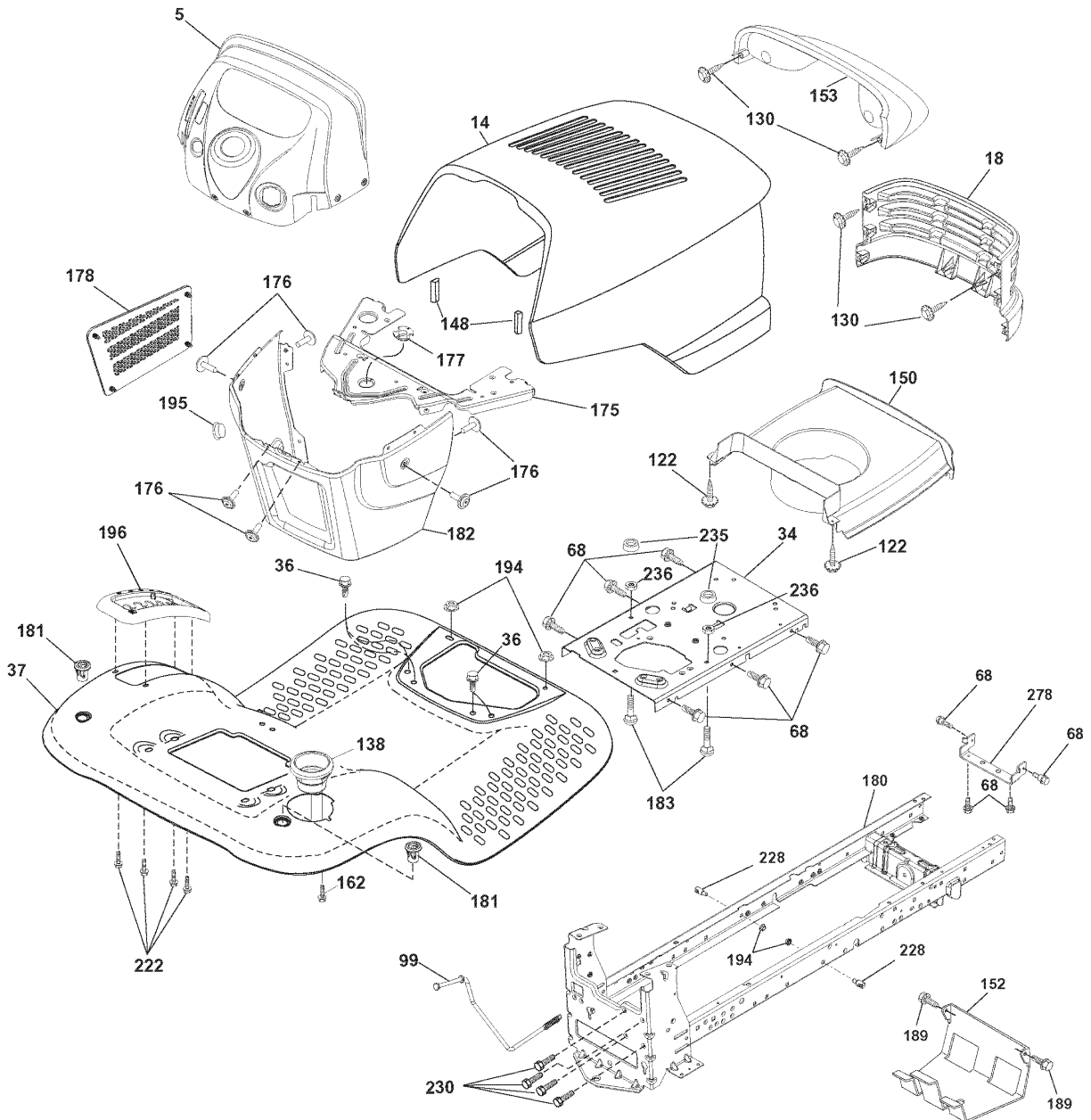
| Referenz | Teile Nr | Beschreibung | Bemerkung: | ANZ KIT |
|----------|--------------|--------------|------------|---------|
| 1 | 532 05 91-92 | CAP VALVE | | 1 |
| 2 | 532 06 51-39 | NIPPEL | | 1 |
| 3 | 532 13 83-36 | FELGE | | 1 |
| 4 | 532 05 99-04 | SCHLAUCH | | 1 |
| 5 | 532 10 62-22 | REIFEN | | 1 |
| 6 | 532 12 49-57 | NIPPEL | | 1 |
| 7 | 532 12 49-59 | LAGER | | 1 |
| 8 | 532 17 50-39 | RADKAPPE | | 1 |
| 9 | 532 12 20-82 | REIFEN | | 1 |
| 10 | 532 12 49-26 | SCHLAUCH | | 1 |
| 11 | 532 13 83-37 | RINGRITZEL | | 1 |
| - | 532 14 43-34 | SEALING FOAM | | 1 |

TRACTOR -- MODEL NUMBER LT2218A (96041003600), PRODUCT NO. 960 41 00-36
ELECTRICAL



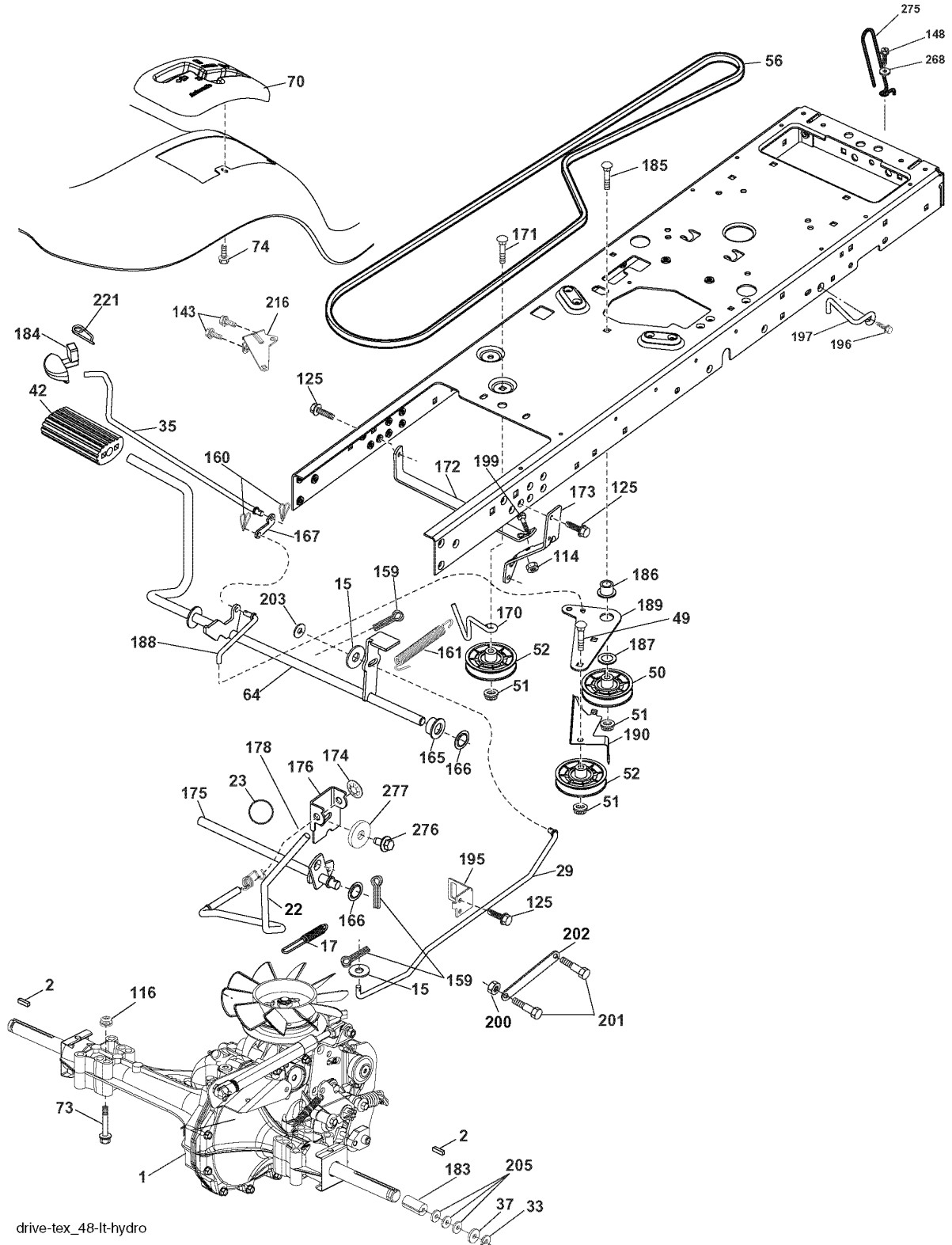
| Referenz | Teile Nr | Beschreibung | Bemerkung: | ANZ KIT |
|----------|--------------|--------------------|------------|---------|
| 1 | 532 14 49-27 | BATTERIE | | 1 |
| 2 | 874 76 04-12 | BOLZEN | | 1 |
| 8 | 532 19 32-28 | KISTE | | 1 |
| 16 | 532 17 61-38 | MIKROSCHALTER | | 1 |
| 21 | 532 17 56-88 | TRAGEGURT | | 1 |
| 22 | 532 00 41-52 | LAMPE | | 1 |
| 25 | 532 19 88-93 | KABEL | | 1 |
| 26 | 532 17 51-58 | SICHERUNG | | 1 |
| 27 | 873 51 04-00 | MUTTER | | 1 |
| 28 | 532 19 88-85 | KABEL | | 1 |
| 29 | 532 40 15-45 | SCHALTER | | 1 |
| 30 | 532 19 33-50 | ELEKTRONIKMODUL | | 1 |
| 33 | 532 14 04-01 | TASTE | | 1 |
| 34 | 532 11 07-12 | SCHALTER | | 1 |
| 40 | 532 40 11-04 | KABELSATZ | | 1 |
| 41 | 817 72 04-08 | SCHRAUBE | | 1 |
| 42 | 532 13 15-63 | DECKEL | | 1 |
| 43 | 532 19 25-07 | ELEKTROMAGNET | | 1 |
| 46 | 532 40 17-63 | DISPLAY | | 1 |
| 50 | 532 17 46-51 | SCHALTER | | 1 |
| 55 | 817 06 05-12 | SCHRAUBE | | 1 |
| 71 | 532 40 04-49 | KABEL | | 1 |
| 79 | 532 17 52-42 | HOLDER | | 1 |
| 90 | 532 40 07-25 | DECKEL | | 1 |
| 92 | 532 19 66-15 | KABELSATZ | | 1 |
| 93 | 532 19 25-40 | SCHRAUBE | | 1 |
| 94 | 532 19 18-34 | MODULE.REVERSE.ROS | | 1 |
| 101 | 532 19 83-17 | KABEL | | 1 |

TRACTOR -- MODEL NUMBER LT2218A (96041003600), PRODUCT NO. 960 41 00-36
CHASSIS



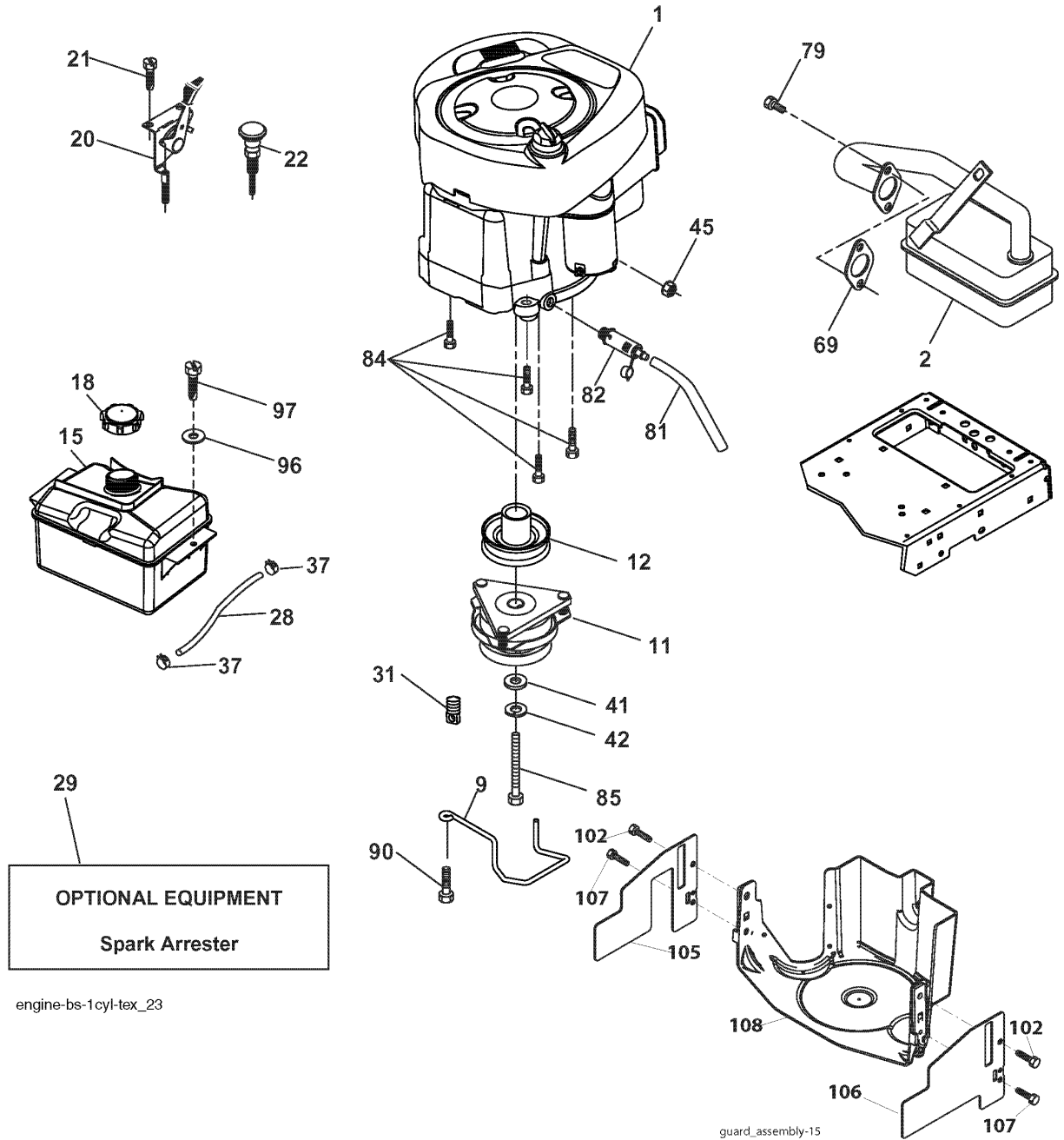
| Referenz | Teile Nr | Beschreibung | Bemerkung: | ANZ KIT |
|----------|--------------|---------------------------|------------|---------|
| 5 | 532 41 14-18 | RADABDECKUNG | | 1 |
| 14 | 532 18 13-51 | HAUBE | | 1 |
| 18 | 532 18 13-52 | GRILE | | 1 |
| 34 | 532 19 61-25 | PLATTE | | 1 |
| 36 | 817 06 05-12 | SCHRAUBE | | 1 |
| 37 | 532 41 14-18 | RADABDECKUNG | | 1 |
| 68 | 817 49 05-08 | SCHRAUBE | | 1 |
| 99 | 532 40 50-92 | STANGE | | 1 |
| 122 | 532 19 25-12 | SCHRAUBE | | 1 |
| 130 | 532 19 16-11 | SCHRAUBE | | 1 |
| 138 | 532 40 97-30 | BEFESTIGUNG | | 1 |
| 148 | 532 16 46-55 | DÄMPFER | | 1 |
| 150 | 532 17 53-51 | DÜSE | | 1 |
| 152 | 532 19 95-35 | SCHIRM | | 1 |
| 153 | 532 16 18-40 | LINSE | | 1 |
| 159 | 817 00 06-12 | SCHRAUBE | | 1 |
| 162 | 532 14 24-32 | SCHRAUBE | | 1 |
| 175 | 532 19 32-36 | PLATTE | | 1 |
| 176 | 532 40 07-76 | SCHRAUBE | | 1 |
| 177 | 532 19 52-27 | BUSHING | | 1 |
| 178 | 532 19 56-51 | HOLDER | | 1 |
| 180 | 532 19 54-57 | RAHMEN | | 1 |
| 181 | 532 40 47-96 | BUSHING | | 1 |
| 182 | 532 19 25-51 | SCHALTBRETT | | 1 |
| 183 | 874 78 05-20 | BOLZEN | | 1 |
| 189 | 817 00 05-12 | SCHRAUBE | | 1 |
| 194 | 873 90 05-00 | MUTTER | | 1 |
| 195 | 532 40 41-37 | TROU*RPL.PAR 532401556428 | | 1 |
| 196 | 532 40 97-28 | KISSEN | | 1 |
| 222 | 532 13 77-29 | SCHRAUBE | | 1 |
| 228 | 532 19 51-61 | GEWINDESTIFT | | 1 |
| 230 | 532 17 01-65 | BOLZEN | | 1 |
| 235 | 532 40 61-29 | ABSTANDSSCHEIBE | | 1 |
| 236 | 873 93 05-00 | MUTTER | | 1 |
| 278 | 532 19 63-94 | HALTER | | 1 |
| - | 532 41 14-11 | STOPFEN | | 1 |

TRACTOR -- MODEL NUMBER LT2218A (96041003600), PRODUCT NO. 960 41 00-36
DRIVE



| Referenz | Teile Nr | Beschreibung | Bemerkung: | ANZ KIT |
|----------|--------------|------------------|------------|---------|
| 2 | 532 12 35-83 | TASTE | | 1 |
| 15 | 819 13 13-16 | SCHEIBE | | 1 |
| 17 | 532 19 72-96 | FEDER | | 1 |
| 22 | 532 19 76-60 | STANGE | | 1 |
| 23 | 532 13 05-64 | EINSTELLHEBEL | | 1 |
| 29 | 532 19 76-59 | STANGE | | 1 |
| 33 | 812 00 00-01 | SPRENGRING | | 1 |
| 35 | 532 19 72-75 | STANGE | | 1 |
| 37 | 532 12 17-49 | SCHEIBE | | 1 |
| 42 | 532 12 48-72 | PEDAL RUBBER | | 1 |
| 49 | 872 11 06-14 | BOLZEN | | 1 |
| 50 | 532 19 43-27 | RIEMENSCHLEIBE | | 1 |
| 51 | 873 90 06-00 | MUTTER | | 1 |
| 52 | 532 19 43-26 | RIEMENSCHLEIBE | | 1 |
| 56 | 532 14 02-18 | KEILRIEMEN | | 1 |
| 64 | 532 19 62-00 | WELLE | | 1 |
| 70 | 532 41 13-29 | BEFESTIGUNG | | 1 |
| 73 | 874 49 05-44 | SCHRAUBE | | 1 |
| 74 | 532 14 24-32 | SCHRAUBE | | 1 |
| 114 | 873 80 05-00 | LOCK NUT | | 1 |
| 116 | 873 90 05-00 | MUTTER | | 1 |
| 125 | 817 00 05-12 | SCHRAUBE | | 1 |
| 143 | 817 49 05-08 | SCHRAUBE | | 1 |
| 148 | 817 00 06-12 | SCHRAUBE | | 1 |
| 159 | 876 02 04-12 | SPANNHÜLSE | | 1 |
| 160 | 532 16 94-84 | BOLZEN | | 1 |
| 161 | 532 19 54-03 | FEDER | | 1 |
| 165 | 532 19 62-12 | BUSHING | | 1 |
| 166 | 532 19 72-90 | MUTTER | | 1 |
| 167 | 532 40 52-57 | SPERRHAKEN | | 1 |
| 170 | 532 19 43-22 | BEFESTIGUNG | | 1 |
| 171 | 872 11 06-16 | BOLZEN | | 1 |
| 172 | 532 19 76-56 | SPANNBAND | | 1 |
| 173 | 532 19 76-55 | SPANNBAND | | 1 |
| 174 | 532 19 72-89 | MUTTER | | 1 |
| 175 | 532 19 76-53 | WELLE | | 1 |
| 176 | 532 19 62-14 | ARM | | 1 |
| 178 | 532 19 74-56 | FEDER | | 1 |
| 183 | 532 13 70-57 | ABSTANDSSCHLEIBE | | 1 |
| 184 | 532 41 17-16 | BEDIENELEMENT | | 1 |
| 185 | 872 11 06-20 | BOLZEN | | 1 |
| 186 | 532 19 43-21 | ABSTANDSSCHLEIBE | | 1 |
| 187 | 819 13 32-10 | SCHEIBE | | 1 |
| 188 | 532 19 43-23 | GELENK | | 1 |
| 189 | 532 19 43-17 | PLATTE | | 1 |
| 190 | 532 19 43-18 | RIEMENFÜHRUNG | | 1 |
| 195 | 532 19 80-12 | HALTER | | 1 |
| 197 | 532 19 58-04 | HALTER | | 1 |
| 199 | 872 14 05-08 | BOLZEN | | 1 |
| 200 | 873 93 05-00 | MUTTER | | 1 |
| 201 | 532 16 96-12 | SCHRAUBE | | 1 |
| 202 | 532 19 77-14 | GELENK | | 1 |
| 203 | 819 11 11-16 | SCHEIBE | | 1 |
| 205 | 532 12 17-48 | SCHEIBE | | 1 |
| 216 | 532 19 61-31 | HALTER | | 1 |
| 221 | 532 40 31-87 | RETAINER SPRING | | 1 |
| 268 | 819 13 16-14 | SCHEIBE | | 1 |
| 275 | 532 18 24-02 | PROTECTOR | | 1 |
| 276 | 874 78 07-16 | BOLZEN | | 1 |
| 277 | 532 40 52-96 | SCHEIBE | | 1 |

TRACTOR -- MODEL NUMBER LT2218A (96041003600), PRODUCT NO. 960 41 00-36
ENGINE



engine-bs-1cyl-tex_23

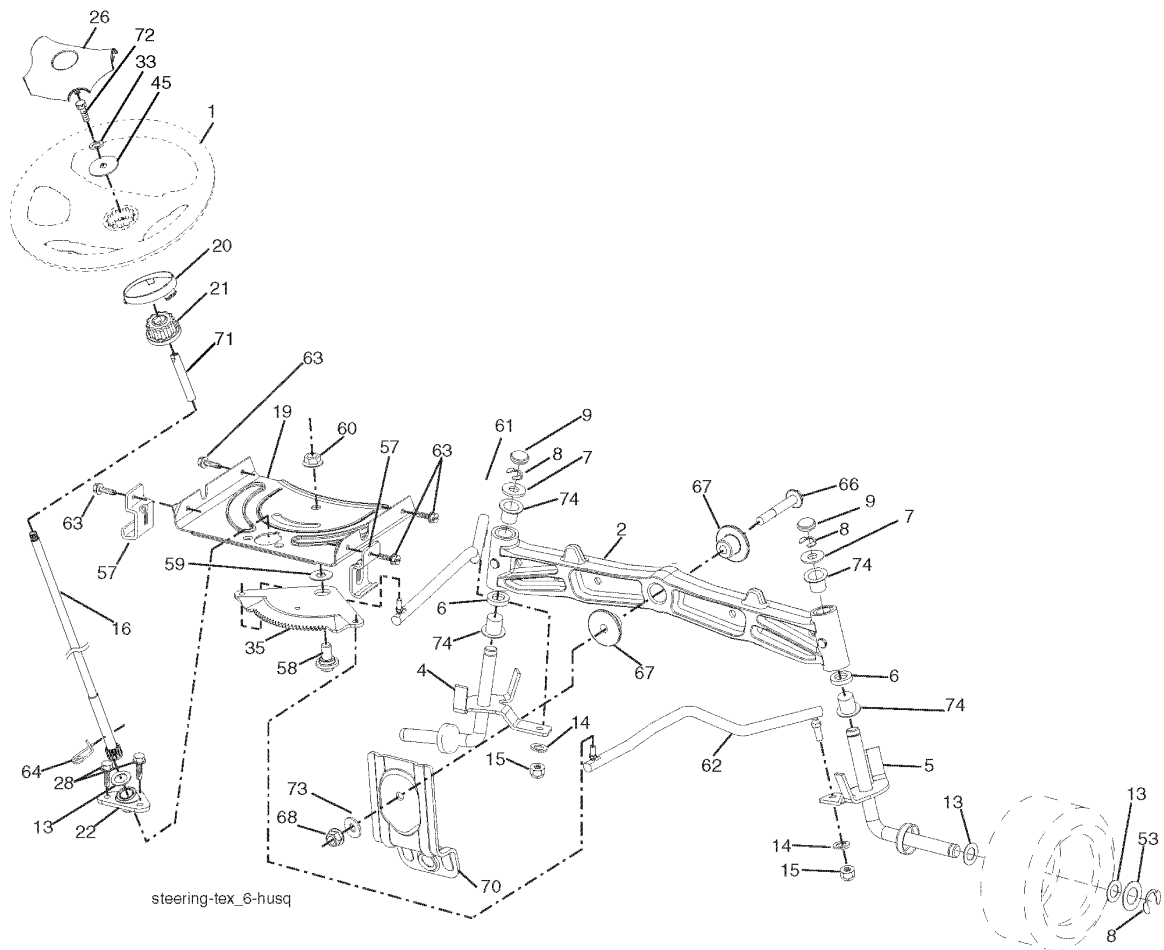
MOTOR

LT 2218 A, 96041003600, 960410036, 2007-04

| Referenz | Teile Nr | Beschreibung | Bemerkung: | ANZ KIT |
|----------|--------------|--------------------------------|------------|---------|
| 2 | 532 13 73-52 | SCHALLDÄMPFER | | 1 |
| 9 | 532 19 43-19 | RIEMENFÜHRUNG | | 1 |
| 11 | 532 18 05-05 | KUPPLUNG | | 1 |
| 12 | 532 19 43-38 | RIEMENSCHLEIBE | | 1 |
| 15 | 532 40 75-52 | TANK.FUEL.FRT.2.GAL.DA*SUBS/2* | | 1 |
| 18 | 532 19 77-25 | STOPFEN | | 1 |
| 20 | 532 18 38-97 | BEDIENELEMENT | | 1 |
| 21 | 532 19 16-11 | SCHRAUBE | | 1 |
| 22 | 532 19 49-81 | BEDIENELEMENT | | 1 |
| 28 | 532 13 70-40 | SCHLAUCH | | 1 |
| 29 | 532 13 71-80 | SPARK ARRESTER KIT | | 1 |
| 31 | 532 14 50-06 | KLAMMER | | 1 |
| 37 | 532 12 34-87 | SCHLAUCHSCHELLE | | 1 |
| 41 | 532 12 61-97 | SCHEIBE | | 1 |
| 42 | 810 04 07-00 | SCHEIBE | | 1 |
| 45 | 873 51 04-00 | MUTTER | | 1 |
| 69 | 532 16 52-91 | DICHTUNG | | 1 |
| 79 | 532 19 23-34 | SCHRAUBE | | 1 |
| 81 | 532 14 84-56 | ROHR | | 1 |
| 82 | 532 18 16-54 | STOPFEN | | 1 |
| 84 | 817 06 06-20 | SCHRAUBE | | 1 |
| 85 | 532 17 39-37 | BOLZEN | | 1 |
| 90 | 817 00 06-16 | SCHRAUBE | | 1 |
| 96 | 819 09 14-16 | SCHEIBE | | 1 |
| 97 | 817 67 04-12 | SCHRAUBE | | 1 |
| 102 | 817 00 05-12 | SCHRAUBE | | 1 |
| 105 | 532 41 05-28 | SCHUTZ | | 1 |
| 106 | 532 41 05-29 | SCHUTZ | | 1 |
| 107 | 532 13 77-29 | SCHRAUBE | | 1 |
| 108 | 532 41 05-32 | ABDECKUNG | | 1 |

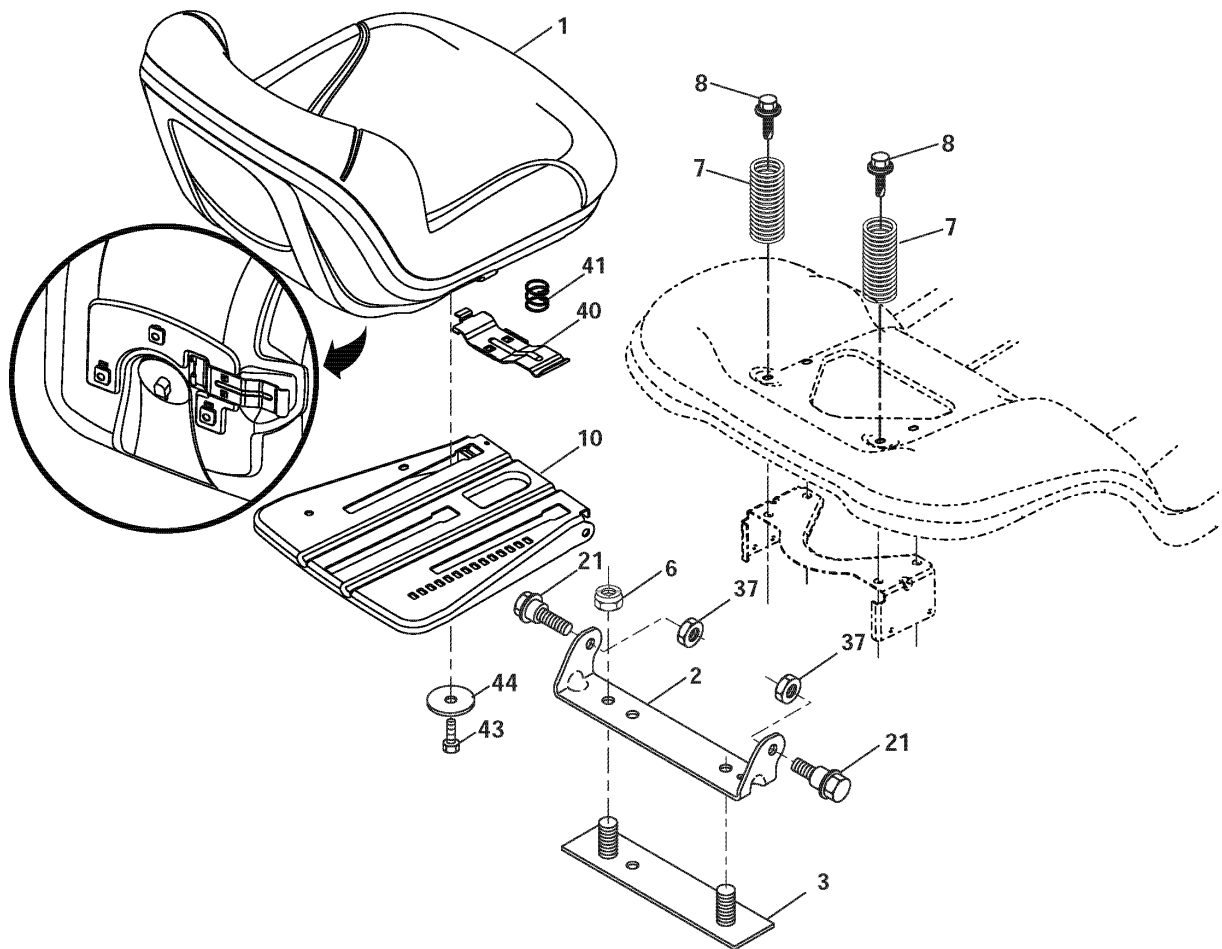
| Referenz | Teile Nr | Beschreibung | Bemerkung: | ANZ KIT |
|----------|--------------|---------------------------|------------|---------|
| 1 | 532 19 64-95 | GEHÄUSE | | 1 |
| 6 | 532 19 51-86 | ARM | | 1 |
| 8 | 532 19 30-03 | SCHRAUBE | | 1 |
| 11 | 532 13 89-71 | MESSER | | 1 |
| 13 | 532 19 28-72 | KURBELWELLE | | 1 |
| 14 | 532 18 72-81 | LAGERGEHÄUSE | | 1 |
| 15 | 532 11 04-85 | LAGER | | 1 |
| 16 | 532 17 44-93 | STRIPPER. MANDREL.BLACK | | 1 |
| 19 | 532 19 65-39 | BOLZEN | | 1 |
| 20 | 532 15 97-70 | SCHIENE | | 1 |
| 21 | 873 68 05-00 | MUTTER | | 1 |
| 23 | 532 19 25-57 | SCHARNIER | | 1 |
| 24 | 532 10 53-04 | RADKAPPE | | 1 |
| 25 | 532 19 70-26 | TORSIONSFEDER | | 1 |
| 26 | 532 11 04-52 | MUTTER | | 1 |
| 27 | 532 41 14-85 | NONAME | | 1 |
| 29 | 532 13 14-91 | WELLE | | 1 |
| 30 | 532 17 39-84 | SCHRAUBE | | 1 |
| 31 | 532 18 76-90 | SCHEIBE | | 1 |
| 32 | 532 15 35-35 | RIEMENSCHLEIBE | | 1 |
| 33 | 532 40 02-34 | MUTTER | | 1 |
| 34 | 872 11 06-12 | BOLZEN | | 1 |
| 36 | 532 19 31-97 | RIEMENSCHLEIBE | | 1 |
| 40 | 873 90 06-00 | MUTTER | | 1 |
| 46 | 532 13 77-29 | SCHRAUBE | | 1 |
| 55 | 532 19 72-49 | ARM | | 1 |
| 56 | 532 19 90-92 | ABSTANDSSCHLEIBE | | 1 |
| 57 | 817 00 06-16 | SCHRAUBE | | 1 |
| 59 | 532 14 10-43 | SCHUTZ | | 1 |
| 62 | 872 11 06-16 | BOLZEN | | 1 |
| 68 | 532 14 49-59 | RIEMEN | | 1 |
| 69 | 872 14 05-05 | BOLZEN | | 1 |
| 116 | 532 12 48-42 | BOLZEN | | 1 |
| 117 | 532 18 86-06 | LAUFRAD | | 1 |
| 118 | 873 93 06-00 | MUTTER | | 1 |
| 119 | 819 12 14-14 | SCHEIBE | | 1 |
| 145 | 532 19 73-79 | RIEMENSCHLEIBE | | 1 |
| 188 | 532 19 51-61 | GEWINDESTIFT | | 1 |
| 189 | 873 90 05-00 | MUTTER | | 1 |
| 190 | 532 19 72-51 | FEDER | | 1 |
| 197 | 532 40 92-58 | PROTEC.PALIER LAME DROIT | | 1 |
| 198 | 532 40 92-59 | PROTEC.PALIER LAME GAUCHE | | 1 |
| 199 | 817 67 06-08 | SCHRAUBE | | 1 |
| - | 532 19 28-70 | SPINDEL | | 1 |
| - | 532 40 85-50 | DECKEL | | 1 |

**TRACTOR - - MODEL NUMBER LT2218A (96041003600), PRODUCT NO. 960 41 00-36
STEERING ASSEMBLY**



| Referenz | Teile Nr | Beschreibung | Bemerkung: | ANZ KIT |
|----------|--------------|--------------------|------------|---------|
| 1 | 532 19 46-37 | LENKRAD | | 1 |
| 2 | 532 19 56-73 | WELLE | | 1 |
| 4 | 532 40 30-87 | SPINDEL | | 1 |
| 5 | 532 40 30-88 | SPINDEL | | 1 |
| 6 | 532 12 49-31 | SCHEIBE | | 1 |
| 7 | 532 12 17-48 | SCHEIBE | | 1 |
| 8 | 812 00 00-29 | SPRENGRING | | 1 |
| 9 | 532 12 12-32 | RADKAPPE | | 1 |
| 13 | 532 12 17-49 | SCHEIBE | | 1 |
| 14 | 810 04 06-00 | SCHEIBE | | 1 |
| 15 | 873 54 06-00 | MUTTER | | 1 |
| 16 | 532 19 47-46 | WELLE | | 1 |
| 19 | 532 19 47-29 | PLATTE | | 1 |
| 20 | 532 41 14-25 | LENKSÄULE | | 1 |
| 21 | 532 18 67-37 | ADAPTER | | 1 |
| 22 | 532 19 48-45 | BUSHING | | 1 |
| 26 | 532 19 46-03 | NABE | | 1 |
| 28 | 817 00 06-12 | SCHRAUBE | | 1 |
| 35 | 532 19 47-32 | PLATTE | | 1 |
| 45 | 819 11 38-12 | SCHEIBE | | 1 |
| 51 | 873 94 08-00 | MUTTER | | 1 |
| 53 | 532 18 89-67 | SCHEIBE | | 1 |
| 57 | 532 40 74-65 | HALTER | | 1 |
| 58 | 532 19 47-47 | BOLZEN | | 1 |
| 59 | 532 19 47-48 | SCHEIBE | | 1 |
| 60 | 873 97 10-00 | MUTTER | | 1 |
| 61 | 532 19 47-40 | GELENK | | 1 |
| 62 | 532 19 47-41 | GELENK | | 1 |
| 63 | 817 00 05-12 | SCHRAUBE | | 1 |
| 64 | 532 19 98-49 | FEDERHALTER | | 1 |
| 66 | 871 02 07-48 | BOLZEN | | 1 |
| 67 | 532 19 47-37 | BUSHING | | 1 |
| 68 | 873 90 07-00 | MUTTER | | 1 |
| 70 | 532 19 61-97 | HALTER | | 1 |
| 73 | 532 19 91-62 | SCHEIBE | | 1 |
| 74 | 532 12 49-37 | BEARING COL. STRG. | | 1 |

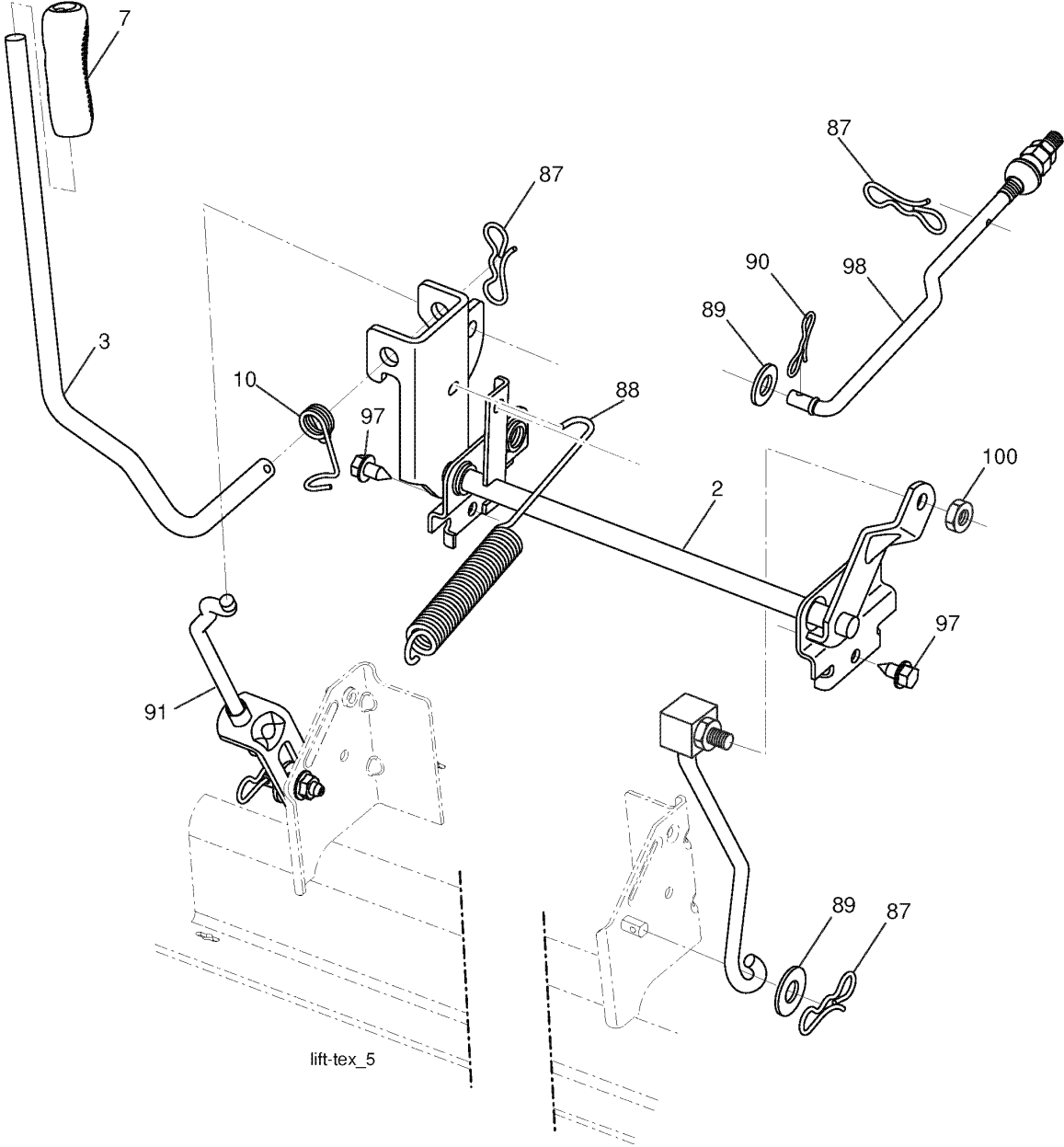
TRACTOR - - MODEL NUMBER LT2218A (96041003600), PRODUCT NO. 960 41 00-36
SEAT ASSEMBLY



seat-tex_7-vgt

| Referenz | Teile Nr | Beschreibung | Bemerkung: | ANZ KIT |
|----------|--------------|---------------|------------|---------|
| 1 | 532 40 66-25 | SITZ | | 1 |
| 2 | 532 18 01-66 | HALTER | | 1 |
| 3 | 532 14 06-75 | SPANNBAND | | 1 |
| 6 | 873 80 06-00 | MUTTER | | 1 |
| 7 | 532 12 41-81 | FEDER | | 1 |
| 8 | 532 17 18-77 | BOLZEN | | 1 |
| 10 | 532 19 69-77 | PLATTE | | 1 |
| 21 | 532 17 18-52 | BOLZEN | | 1 |
| 37 | 873 80 05-00 | LOCK NUT | | 1 |
| 40 | 532 19 76-61 | EINSTELLHEBEL | | 1 |
| 41 | 532 19 82-00 | FEDER | | 1 |
| 43 | 874 76 06-12 | BOLZEN | | 1 |
| 44 | 819 13 38-12 | SCHEIBE | | 1 |

TRACTOR -- MODEL NUMBER LT2218A (96041003600), PRODUCT NO. 960 41 00-36
MOWER LIFT



| Referenz | Teile Nr | Beschreibung | Bemerkung: | ANZ KIT |
|----------|--------------|--------------|------------|---------|
| 2 | 532 19 52-23 | WELLE | | 1 |
| 3 | 532 19 52-31 | HEBEL | | 1 |
| 7 | 532 41 15-55 | GRIFF | | 1 |
| 10 | 532 19 63-14 | FEDER | | 1 |
| 87 | 532 19 42-09 | FEDER | | 1 |
| 88 | 532 19 53-03 | FEDER | | 1 |
| 89 | 819 19 19-12 | SCHEIBE | | 1 |
| 90 | 532 19 42-08 | BOLZEN | | 1 |
| 91 | 532 19 51-81 | GELENK | | 1 |
| 97 | 817 06 06-12 | SCHRAUBE | | 1 |
| 98 | 532 19 52-70 | GELENK | | 1 |
| 100 | 873 93 06-00 | MUTTER | | 1 |