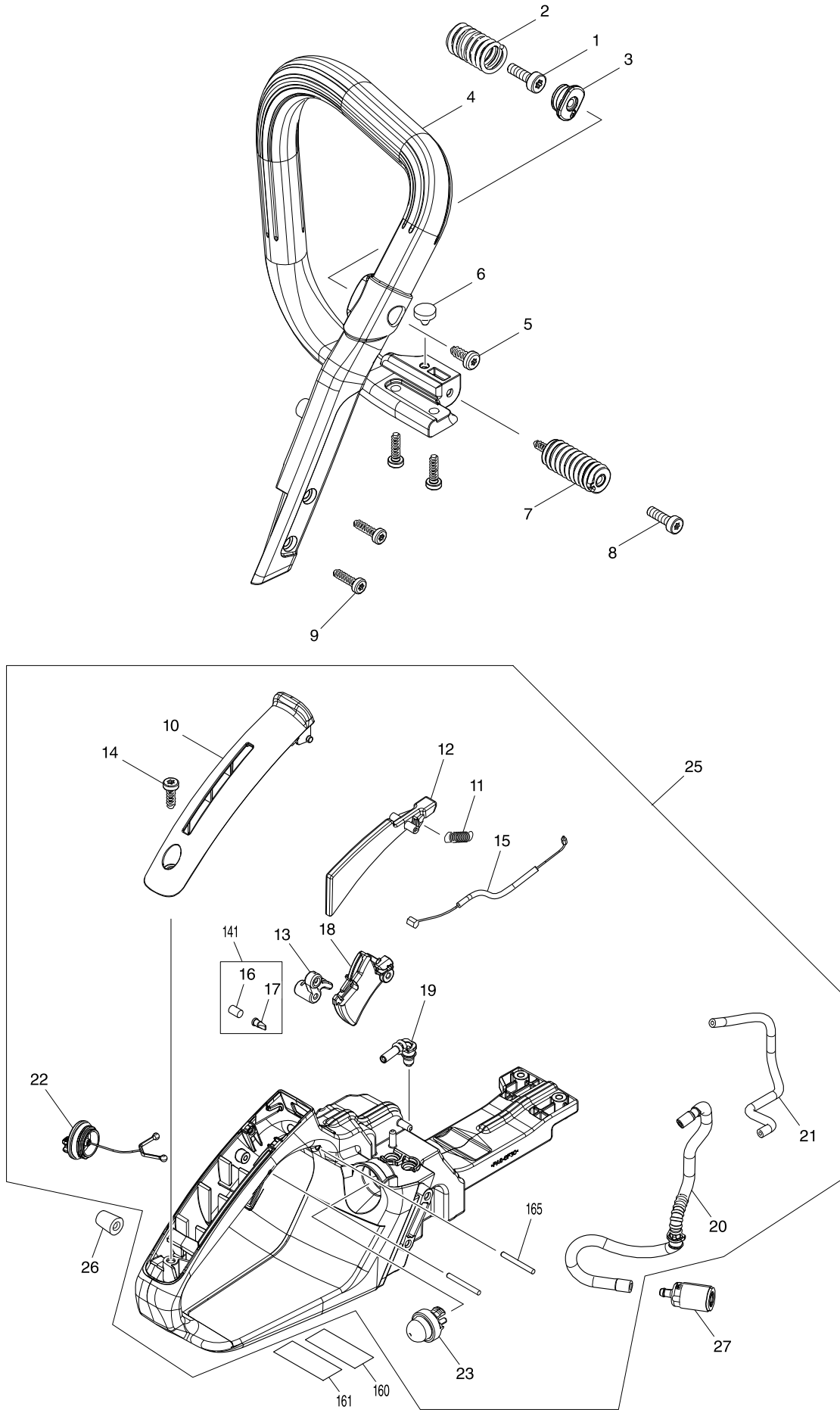
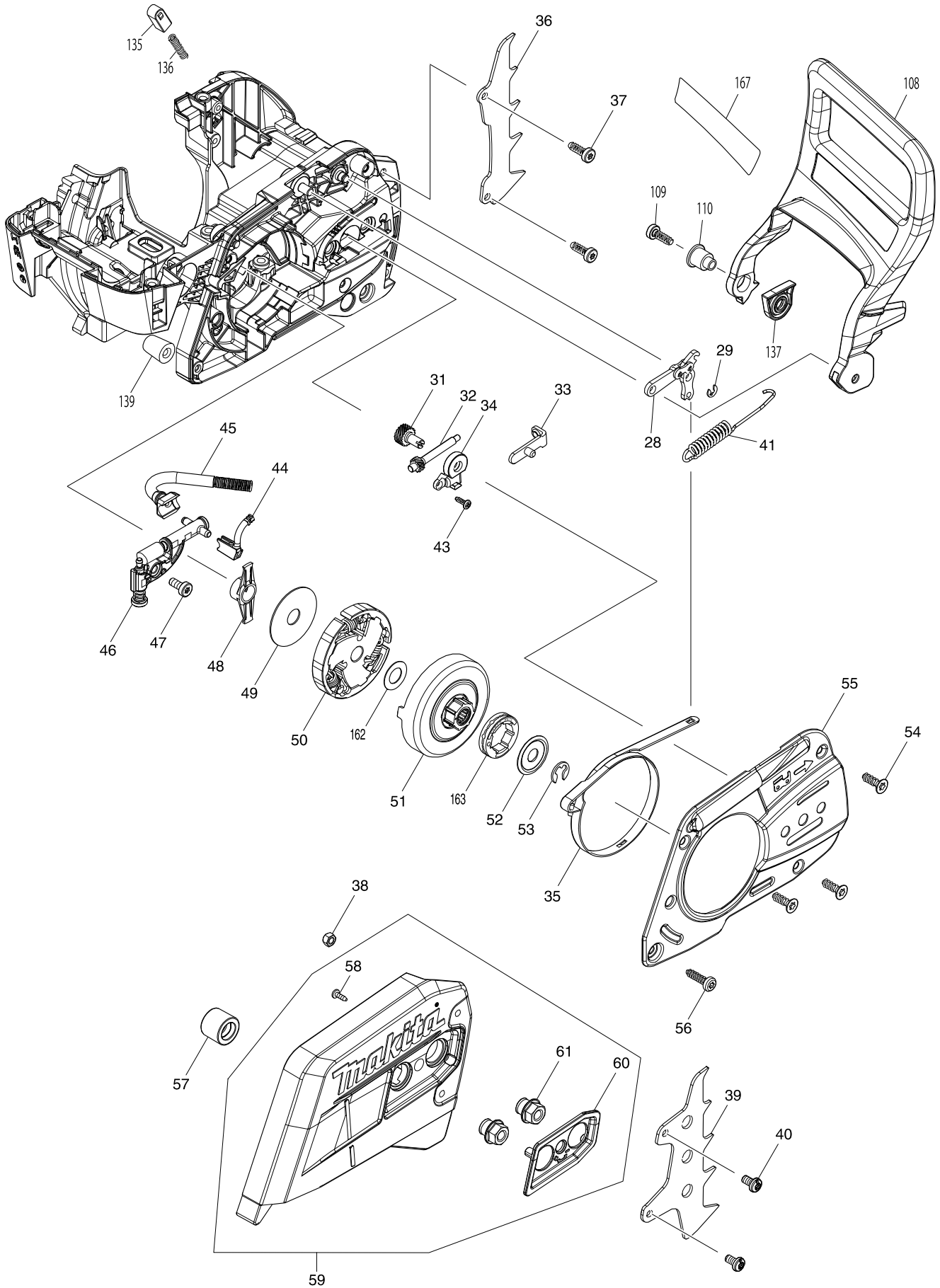


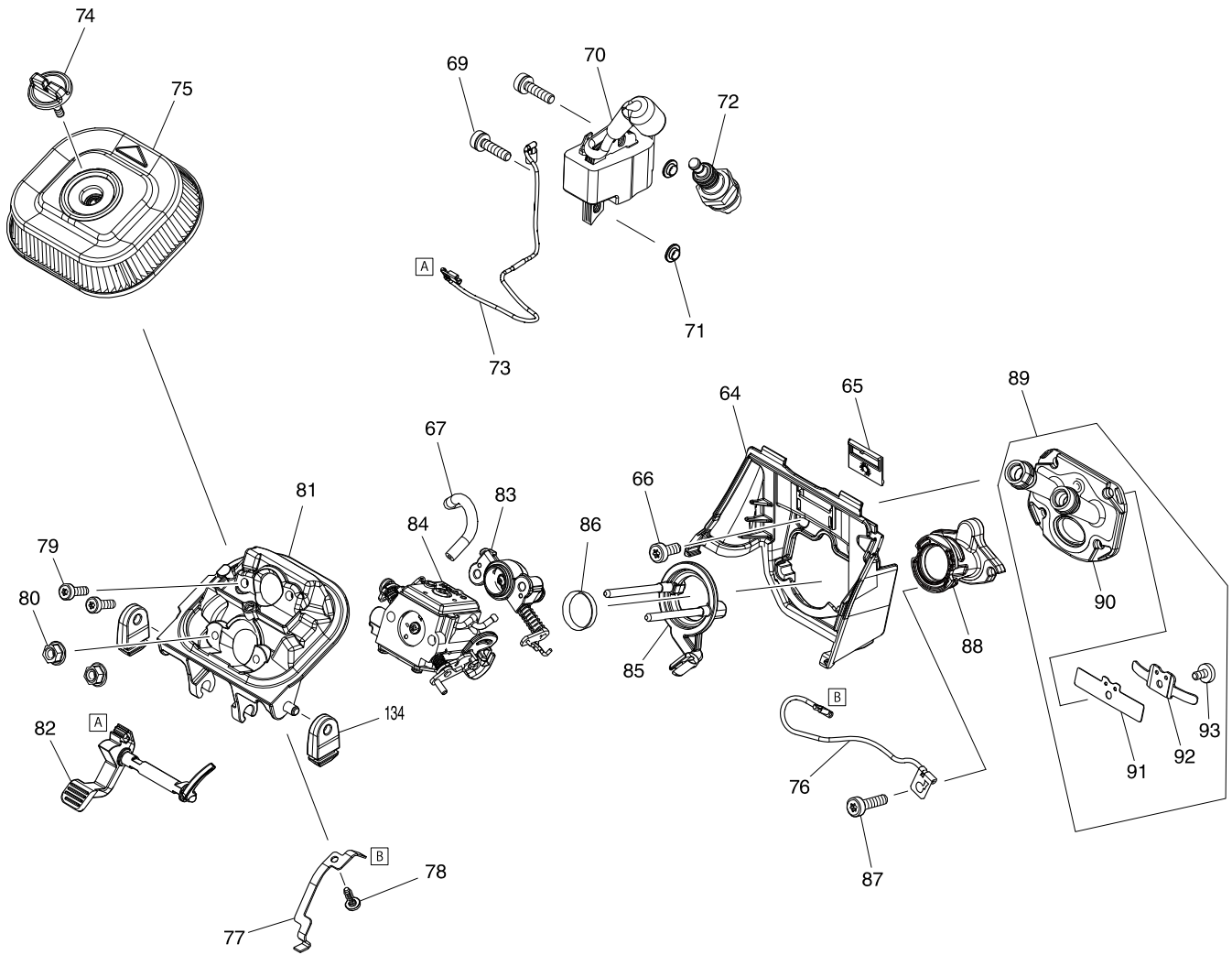
Model No. EA5600F PETROL CHAIN SAW



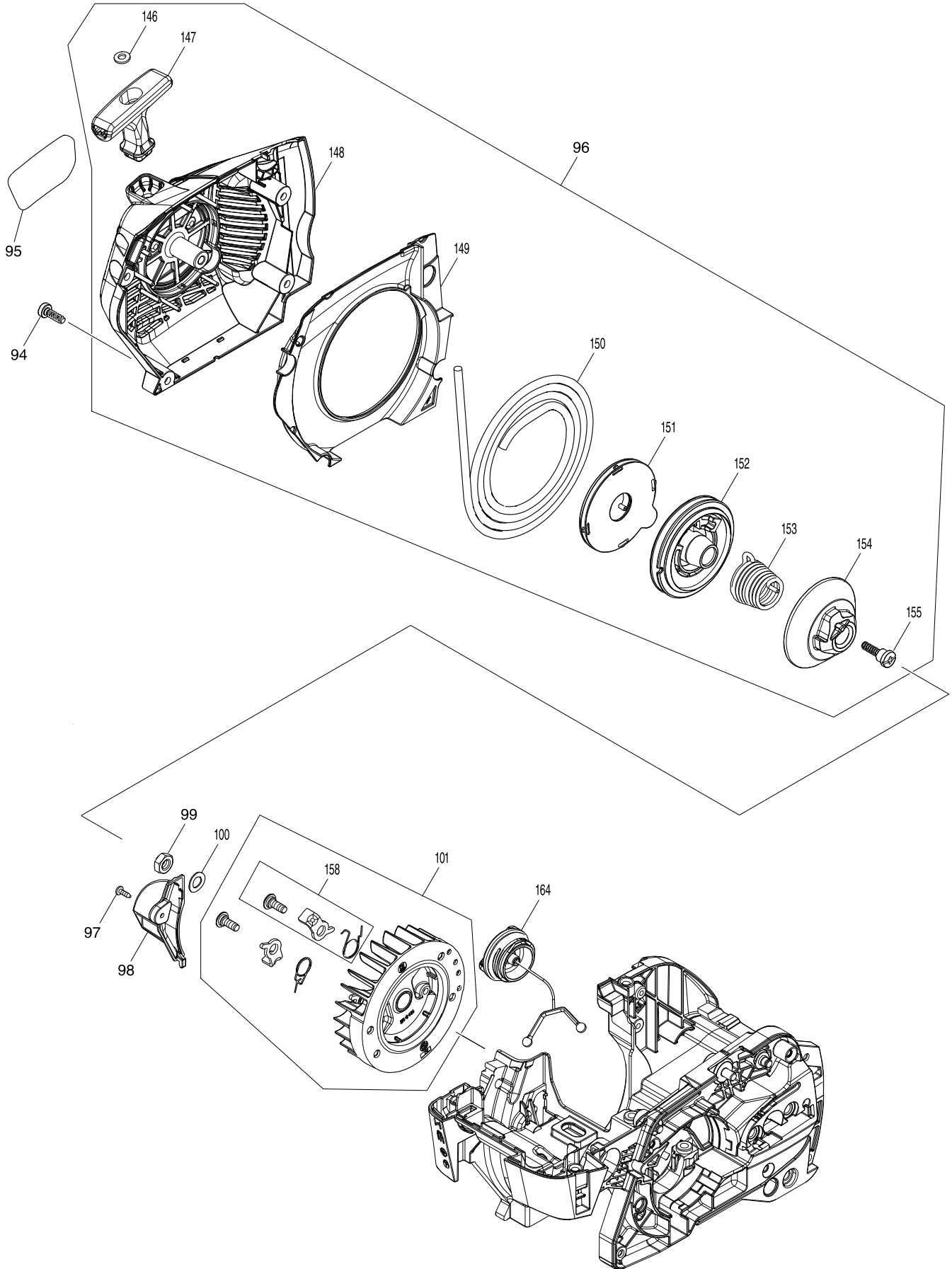
Model No. EA5600F PETROL CHAIN SAW



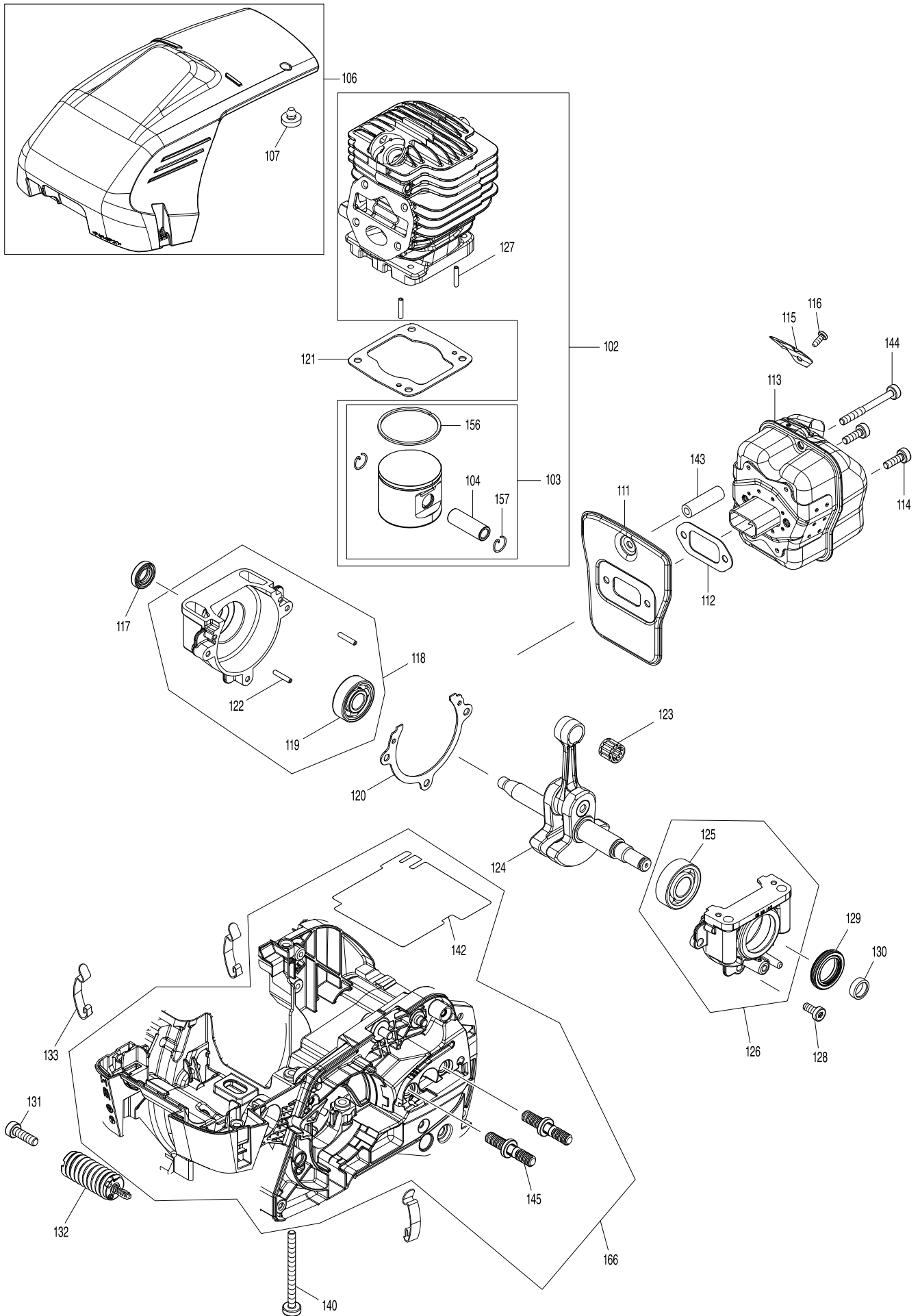
Model No. EA5600F PETROL CHAIN SAW



Model No. EA5600F PETROL CHAIN SAW



Model No. EA5600F PETROL CHAIN SAW



Model No. EA5600F PETROL CHAIN SAW

Item	Parts No.	Description	I/C	Qty	N/O	Opt. 1	Opt. 2	Note
001	908005165	FILLISTER HEAD SCREW M5X16		1				
002	231898-6	DAMPING SPRING		1				
003	456373-3	SPRING HOLDER		1				
004	456379-1	TUBULAR HANDLE		1				
005	913467164	SCREW 6.7X16		1				
006	965402360	RUBBER BUFFER		1				
007	143754-7	DAMPING SPRING ASSEMBLY		1				
008	908006205	SCREW M6X20		1				
009	913455204	H.L.TAPPING SCREW 5.5X20		4				
010	131117050	GRIP OUTER SHELL		1				
011	130117060	TENSION SPRING		1				
012	038117020	CATCH LEVER		1				
013	038117030	LOCKER		1				
014	913455164	SCREW 5.5X16		1				
015	131117040	BOWDEN CABLE		1				
016	010175030	SINTER INSERT		1				
017	010175021	VALVE		1				
018	130117010	THROTTLE LEVER		1				
019	131114340	FUEL PIPE		1				
020	131114310	FUEL PIPE		1				
021	131114090	TUBE 2.5-169		1				
022	181114202	TANK CAP CPL.		1				
C10	963229036	PACKING RING		1				
023	130153500	PRIMER		1				
025	131114680	FUEL TANK SET (BLUE)		1				
D10		INC. 10-23,141,165						
026	181111230	RUBBER BUFFER		1				
027	010114200	SUCTION HEAD		1				
028	185213100	LINK PLATE COMPLETE		1				
029	927304000	SAFETY WASHER		1				
031	181213250	ADJUSTING SCREW		1				
032	181213230	TESIONING SCREW		1				
033	130213240	TENSION SLIDE		1				
034	452667-4	GEAR COVER PROFESSIONAL		1				
035	181213011	BRAKE SPRING		1				
036	130250011	SPIKE BAR		1				
037	913455164	SCREW 5.5X16		2				
041	181213023	TENSION SPRING		1				
043	266421-8	TAPPING SCREW 3X10		1				
044	181245120	OIL LINE		1				
045	144274-4	TUBE COMPLETE		1				
046	179245204	OIL PUMP CPL.		1				
047	908705125	FILLISTER SCREW		1				
048	181245090	PUMP DRIVE		1				
049	001182042	DISC		1				
050	181180300			1				
C10	181184020	TENSION SPRING		3				
051	181223200	CLUTCH DRUM COMPLETE		1				

Model No. EA5600F PETROL CHAIN SAW

Item	Parts No.	Description	I/C	Qty	N/O	Opt. 1	Opt. 2	Note
052	181224081	WASHER 29		1				
053	927408000	WASHER		1				
054	913850155	SCREW		3				
055	326647-5	CHAIN BRAKE COVER		1				
056	913455204	H.L.TAPPING SCREW 5.5X20		1				
057	456378-3	CHAIN CATCHER		1				
058	266421-8	TAPPING SCREW 3X10		2				
059	131213620	SPROCKET GUARD ASSEMBLY(BLUE		1				
D10		INC. 58,60,61						
060	456674-9	NUT COVER		1				
061	144689-5	FLANGE NUT COMPLETE		2				
064	131131080	INTERMEDIATE FLANGE		1				
065	195118141	INSERT		1				
066	908005125	FILLISTER HEAD SCREW M5X12		2				
067	131114080	TUBE 2.5-64		1				
069	908805205	SCREW		2				
070	131140100	IGNITION COIL COMPLETE		1				
C10	125143011	PLUG CAP		1				
C20	131143040	INSULATING TUBE 6-100		1				
C30	125143020	TERMINAL SPRING		1				
071	195143031	ISOLATING WASHER		2				
072	965603021	SPARK PLUG BPMR7A		1				
073	632F91-5	LEAD UNIT		1				
074	265791-2	THUMB SCREW M4		1				
075	131173010	AIR FILTER		1				
076	632F92-3	LEAD UNIT		1				
077	131155010	CONTACT SPRING		1				
078	266421-8	TAPPING SCREW 3X10		1				
079	908005205	FILLISTER HEAD SCREW M5X20		2				
080	175131300	HEXAGONAL NUT WITH COLLAR		2				
081	456376-7	INTAKE MANIFOLD		1				
082	456375-9	CHOKE LEVER		1				
083	131151700	AIR FLAP ASSEMBLY		1				
084	131151100	CARBURETOR		1				
085	131131070	FLANGE RING		1				
086	131131090	SLEEVE 19		1				
087	908005205	FILLISTER HEAD SCREW M5X20		2				
088	131131050	SUCTION HOSE		1				
089	131131160	AIR HOSE COMPLETE		1				
D10		INC. 90-93						
090	131131030	AIR HOSE		1				
091	131179020	REED VALVE		1				
092	131179010	VALVE STOPPER		1				
093	908004085	H.L. SOCKET HEAD BOLT M4X8		1				
094	913455164	SCREW 5.5X16		4				
095	131115620	EA5600F MODEL NO LABEL		1				
096	131160600	RECOIL STARTER ASSEMBLY (BLUE)		1				
D10		INC. 146-155						

Model No. EA5600F PETROL CHAIN SAW

Item	Parts No.	Description	I/C	Qty	N/O	Opt. 1	Opt. 2	Note
097	266421-8	TAPPING SCREW 3X10		1				
098	456377-5	AIR DUCT		1				
099	920308024	HEXAGONAL NUT M8		1				
100	926208001	SPRING WASHER 8		1				
101	181141105	FLYWHEEL CPL.		1				
D10		INC. 158						
102	131131200	CYLINDER PISTON SET		1				
D10		INC. 103,127						
103	131132100	PISTON COMPLETE		1				
D10		INC. 104,156,157						
104	131132030	PISTON PIN		1				
106	131118600	HOOD SET		1				
D10		INC. 107						
107	965402360	RUBBER BUFFER		1				
108	131213050	HAND GUARD GUIDE		1				
109	913455164	SCREW 5.5X16		1				
110	326676-8	BUSH 10		1				
111	131174090	COOLING PLATE		1				
112	395174120	GASKET		1				
113	131174100	MUFFLER COMPLETE		1				
114	908005165	FILLISTER HEAD SCREW M5X16		2				
115	131174040	SPARK ARRESTER		1				
116	914535105	SCREW		1				
117	962900156	RADIAL RING		1				
118	131111100	CRANKCASE MS COMPLETE		1				
D10		INC. 119,122						
119	960102121	BALL BEARING 6201		1				
120	131111060	CRANKCASE GASKET		1				
121	131131020	CYLINDER-BASE GASKET		1				
122	936430160	SPIRAL CLAMPING PIN		2				
123	962210111	NEEDLE CAGE		1				
124	131120100	CRANKSHAFT COMPLETE		1				
125	960102152	BALL BAERING 6202		1				
126	131111111	CRANKCASE CS COMPLETE		1				
D10		INC. 125						
127	936430160	SPIRAL CLAMPING PIN		2				
128	908705165	HL SOCKET HEAD BOLT M5X16		3				
129	962900160	OIL SEAL 20		1				
130	326658-0	SLEEVE 15		1				
131	908006205	SCREW M6X20		1				
132	143754-7	DAMPING SPRING ASSEMBLY		1				
133	130118070	STEELCLIP		3				
134	424806-6	INTAKE MANIFOLD DAMPER		2				
135	313212-9	HAND GUARD GUIDE		1				
136	181213060	COMPRESSION SPRING 3		1				
137	456613-9	SPACER		1				
139	181111230	RUBBER BUFFER		1				
140	914105656	H.L. SOCKET HEAD BOLT M5X65		4				

