



# SPARE PARTS LIST

TRACTORS/RIDE MOWERS

LRH 13, J8F13H36TB, 954130017,  
1998-12



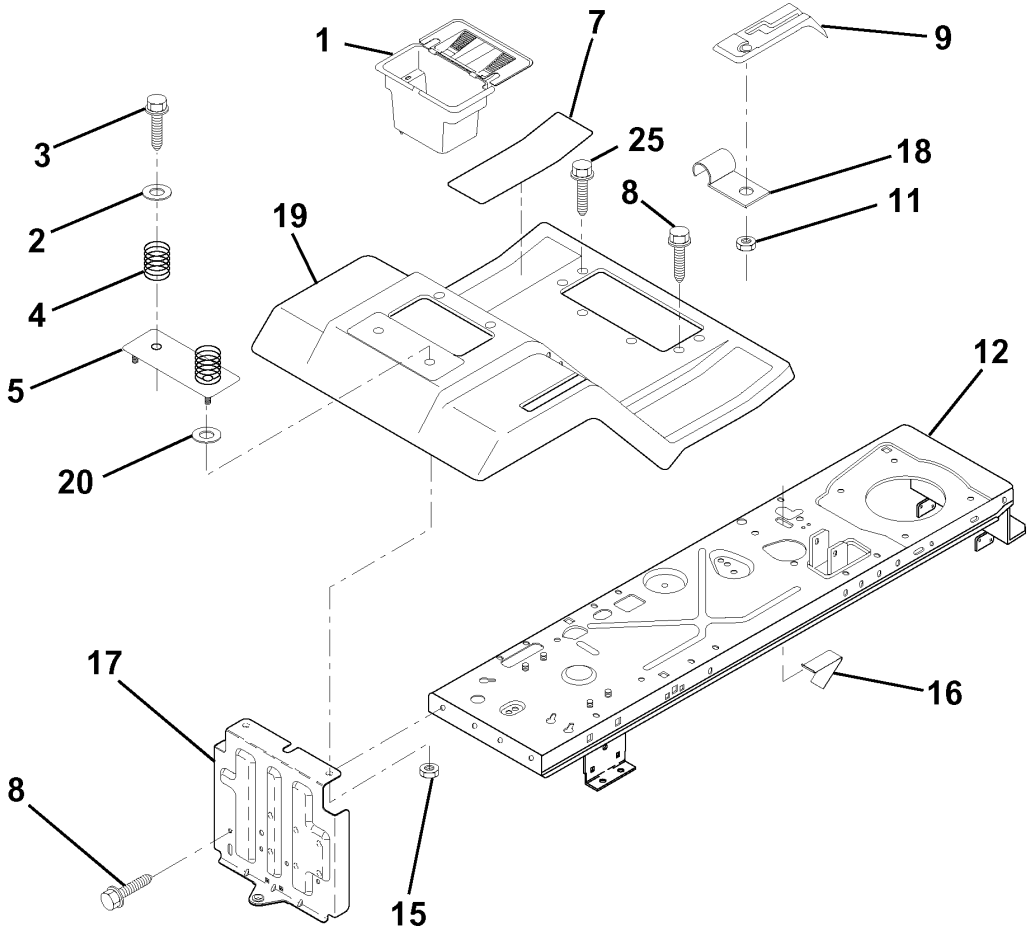
## HAUBE

LRH 13, J8F13H36TB, 954130017, 1998-12

Referenz	Teile Nr	Beschreibung	Bemerkung:	ANZ KIT
1	532 12 46-57	FEDER		1
2	873 51 04-00	MUTTER		1
3	819 09 14-16	SCHEIBE		1
4	874 78 04-12	BOLZEN		1
5	532 13 98-88	BOLZEN		1
6	532 12 25-49	HALTER		1
7	532 12 25-48	HALTER		1
8	532 16 48-63	SCHRAUBE		1
9	873 80 04-00	MUTTER		1
10	532 12 36-93	STÜTZE		1
11	532 12 54-29	HAUBE		1
12	532 14 01-13	LINSE		1
13	532 15 36-56	GRILL		1
14	532 12 49-67	KLAMMER		1
16	532 12 43-46	MUTTER		1
18	819 11 11-16	SCHEIBE		1

# REPAIR PARTS

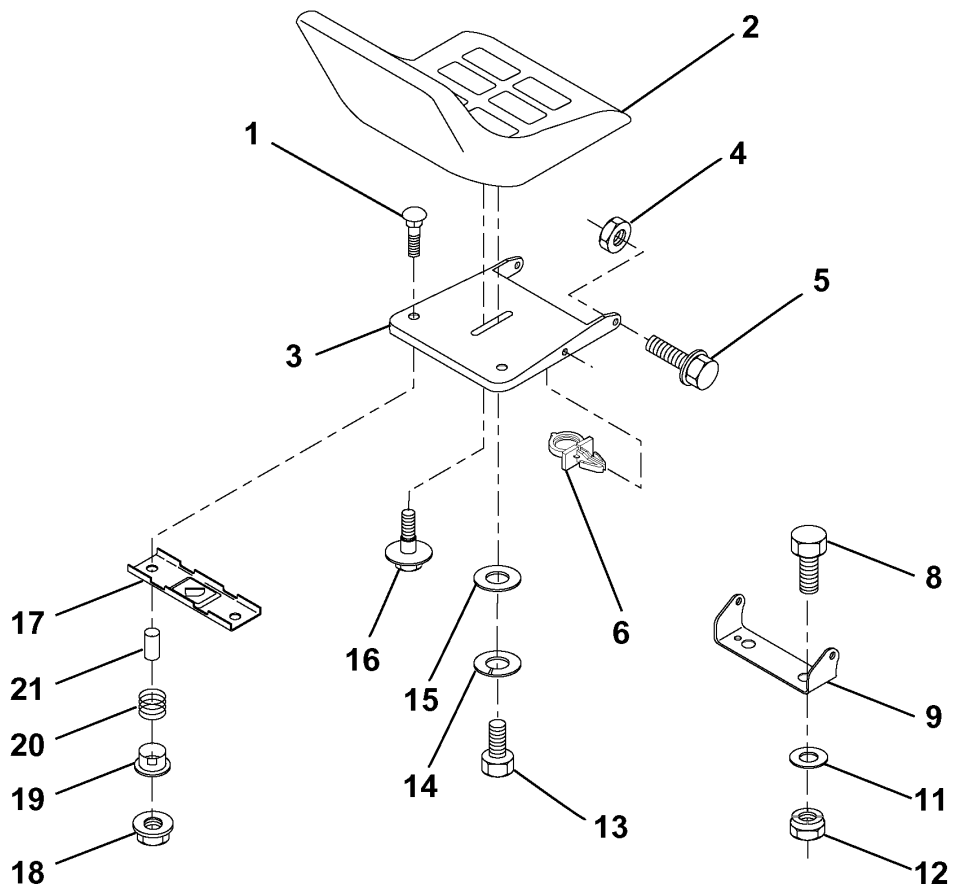
TRACTOR - MODEL NO. LRH13 (J8F13H36TB), PRODUCT NO. 954 13 00-17  
FENDER/CHASSIS



Referenz	Teile Nr	Beschreibung	Bemerkung:	ANZ KIT
1	532 15 64-17	KISTE		1
2	819 13 20-12	SCHEIBE		1
3	817 49 06-12	SCHRAUBE		1
4	532 12 41-81	FEDER		1
5	532 12 54-31	PLATTE		1
7	532 12 41-44	TEPPICH		1
8	817 49 05-12	SCHRAUBE		1
9	532 16 66-83	HALTER		1
11	532 12 43-46	MUTTER		1
12	532 14 51-90	RAHMEN		1
15	873 64 04-00	MUTTER		1
16	532 14 17-36	SCHALTER		1
17	532 14 07-82	DRAWBAR		1
18	532 12 64-70	KLAMMER		1
19	532 14 16-50	RADABDECKUNG		1
20	819 09 14-13	SCHEIBE		1
25	817 19 05-16	SCHRAUBE		1

## REPAIR PARTS

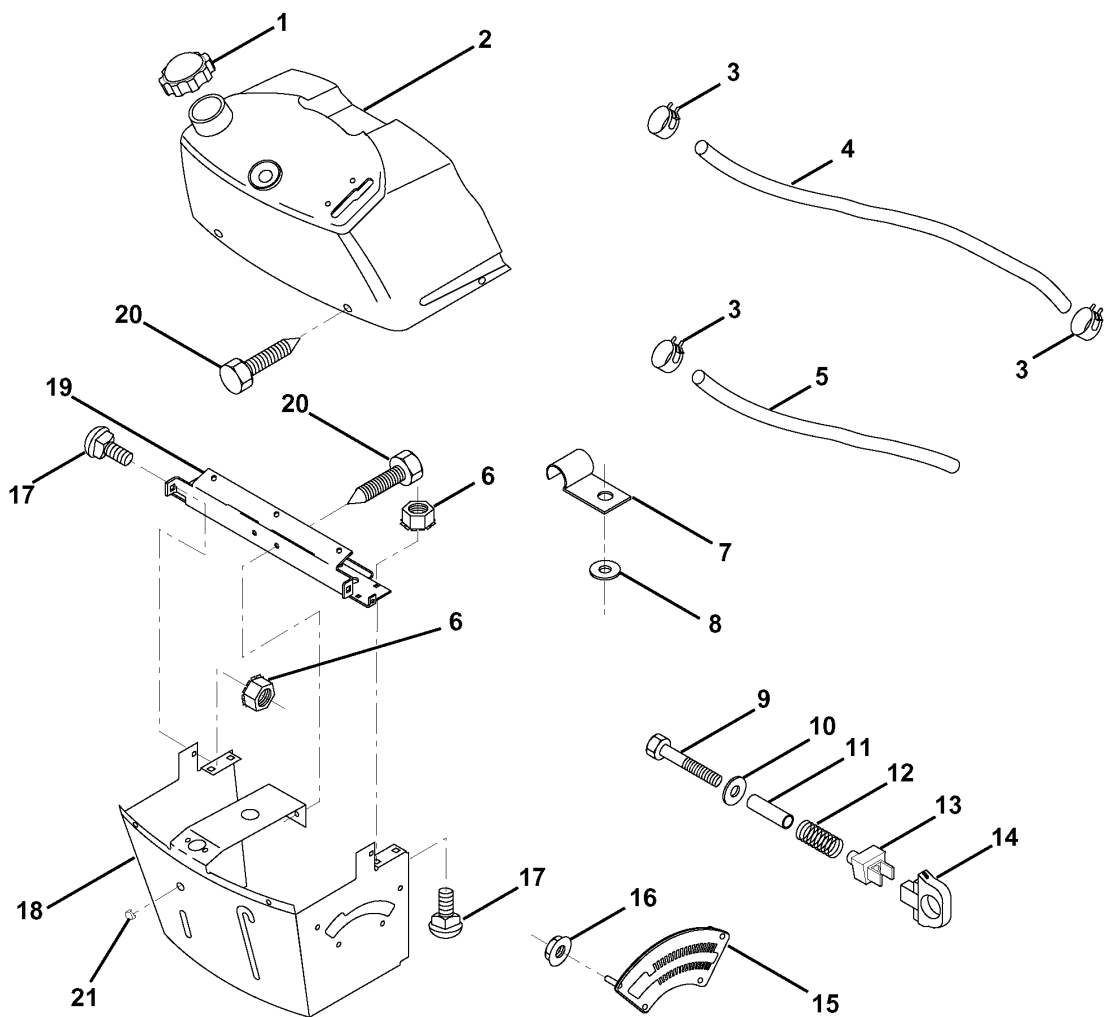
TRACTOR - MODEL NO. LRH13 (J8F13H36TB), PRODUCT NO. 954 13 00-17  
SEAT



Referenz	Teile Nr	Beschreibung	Bemerkung:	ANZ KIT
1	872 05 04-12	BOLZEN		1
2	532 14 01-16	SITZ		1
3	532 15 59-25	HALTER		1
4	873 80 05-00	LOCK NUT		1
5	532 15 32-36	SCHRAUBE		1
6	532 14 50-06	KLAMMER		1
8	874 76 06-16	BOLZEN		1
9	532 14 05-51	HALTER		1
11	819 13 32-10	SCHEIBE		1
12	873 80 06-00	MUTTER		1
13	874 78 08-14	BOLZEN		1
14	810 04 08-00	SCHEIBE		1
15	819 17 19-12	SCHEIBE		1
16	532 12 70-18	BOLZEN		1
17	532 12 12-46	HALTER		1
18	532 12 39-76	LOCKNUT		1
19	532 12 12-48	BUSHING		1
20	532 12 12-50	FEDER		1
21	532 13 43-00	ABSTANDSSCHEIBE		1

## REPAIR PARTS

TRACTOR - MODEL NO. LRH13 (J8F13H36TB), PRODUCT NO. 954 13 00-17  
DASH





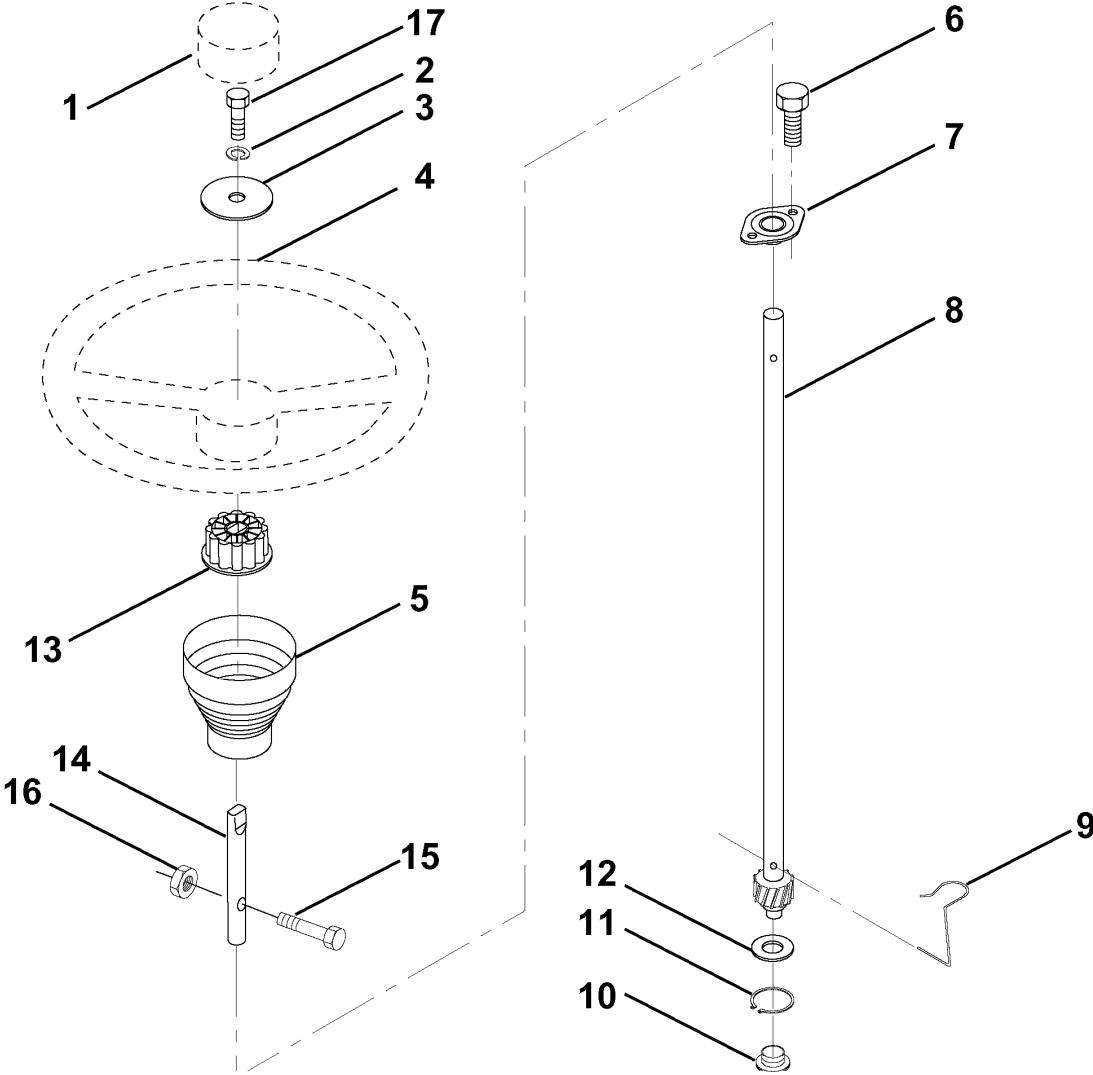
## INSTRUMENTENTAFEL

LRH 13, J8F13H36TB, 954130017, 1998-12

Referenz	Teile Nr	Beschreibung	Bemerkung:	ANZ KIT
1	532 14 15-23	RADKAPPE		1
2	532 13 83-92	TANK		1
3	532 12 34-87	SCHLAUCHSCHELLE		1
4	532 00 85-44	LINE FUEL LT10/36		1
5	532 00 85-48	SCHLAUCH		1
6	873 64 04-00	MUTTER		1
7	532 12 49-96	KLAMMER		1
8	819 09 12-16	SCHEIBE		1
9	874 76 04-28	BOLZEN		1
10	819 09 14-13	SCHEIBE		1
11	532 12 12-49	ABSTANDSSCHEIBE		1
12	532 00 37-20	FEDER		1
13	532 12 64-50	KLAMMER		1
14	532 12 61-15	KNOPF		1
15	532 12 20-23	SEGMENT		1
16	532 12 43-46	MUTTER		1
17	872 11 04-04	BOLZEN		1
18	532 13 07-45	HALTER		1
19	532 13 47-44	CROSS BRACE		1
20	817 06 04-08	SCHRAUBE		1
21	532 13 40-14	STOPFEN		1

**REPAIR PARTS**

**TRACTOR - MODEL NO. LRH13 (J8F13H36TB), PRODUCT NO. 954 13 00-17**  
**STEERING WHEEL**



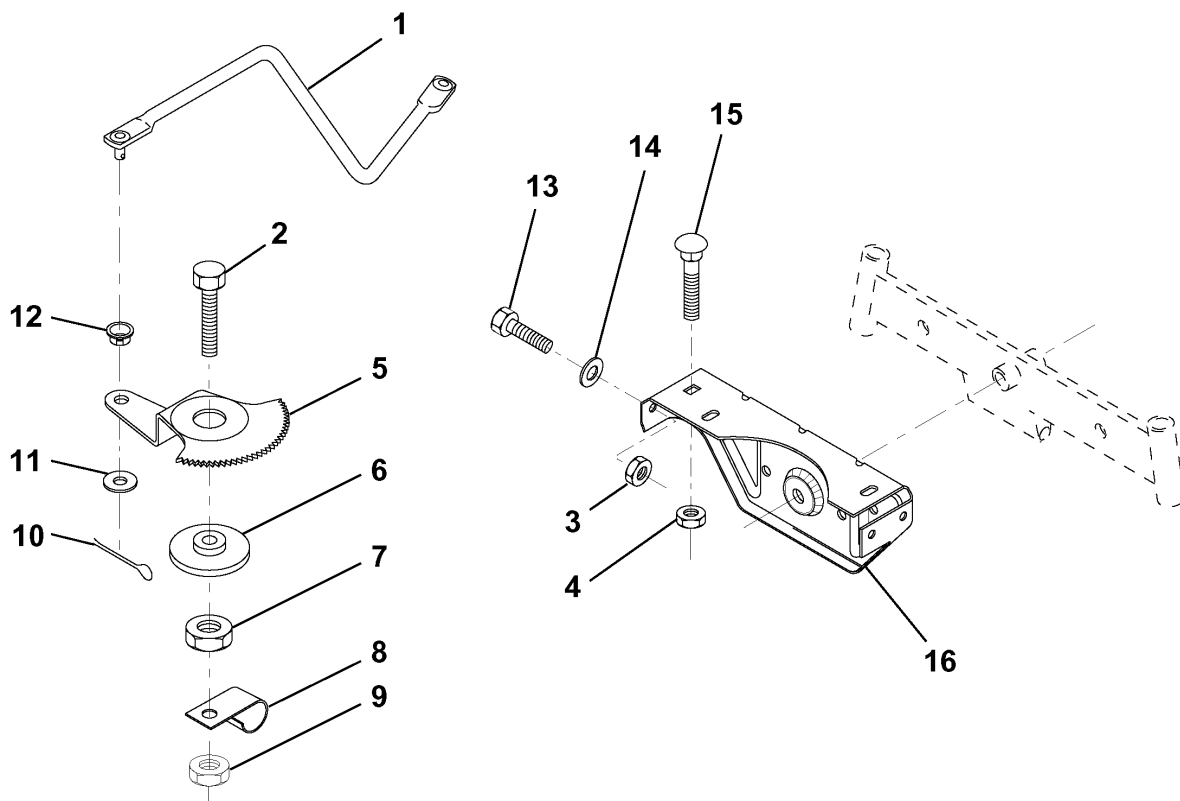
## LENKUNG

LRH 13, J8F13H36TB, 954130017, 1998-12

Referenz	Teile Nr	Beschreibung	Bemerkung:	ANZ KIT
1	532 14 00-45	EINSATZ		1
2	810 04 06-00	SCHEIBE		1
3	819 13 38-08	SCHEIBE		1
4	532 14 00-44	LENKRAD		1
5	532 12 18-97	HÜLSE		1
6	532 15 29-27	SCHRAUBE		1
7	532 15 51-04	BUSHING		1
8	532 14 73-91	STANGE		1
9	532 12 42-10	KLAMMER		1
10	532 12 34-38	BUSHING		1
11	812 00 00-45	RETAINING RING		1
12	819 21 16-16	SCHEIBE		1
13	532 10 07-11	ADAPTER		1
14	532 15 37-20	STEERING PINION		1
15	874 78 05-20	BOLZEN		1
16	873 80 05-00	LOCK NUT		1
17	874 78 06-16	BOLZEN		1

## REPAIR PARTS

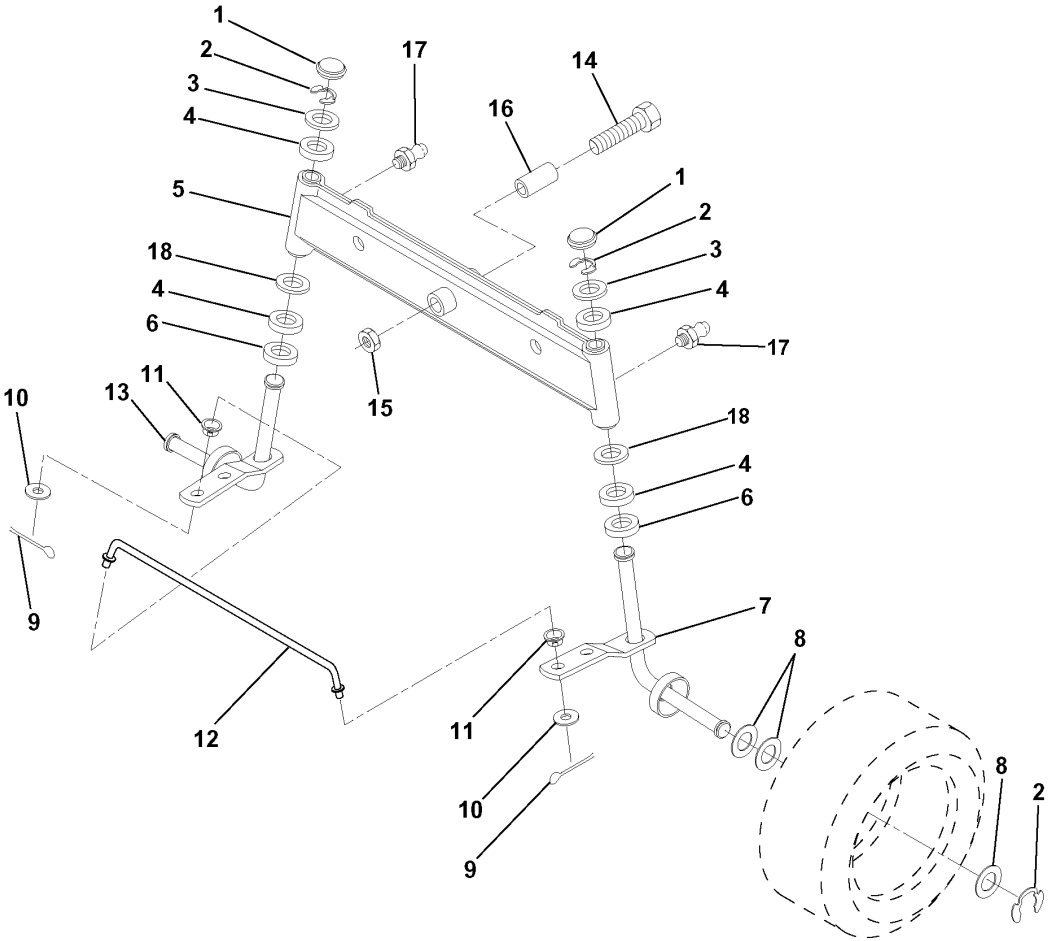
TRACTOR - MODEL NO. LRH13 (J8F13H36TB), PRODUCT NO. 954 13 00-17  
 SECTOR GEAR / AXLE SUPPORT



Referenz	Teile Nr	Beschreibung	Bemerkung:	ANZ KIT
1	532 13 25-66	GELENK		1
2	874 78 08-28	BOLZEN		1
3	873 68 05-00	MUTTER		1
4	873 68 06-00	MUTTER		1
5	532 12 19-26	ZAHNKRANZ		1
6	532 12 19-27	BUSHING		1
7	873 03 08-00	MUTTER		1
8	532 12 64-72	KLAMMER		1
9	873 68 08-00	MUTTER		1
10	876 02 04-12	SPANNHÜLSE		1
11	819 13 13-16	SCHEIBE		1
12	532 12 68-47	BUSHING		1
13	874 76 05-12	BOLZEN		1
14	819 11 14-16	SCHEIBE		1
15	872 11 06-06	BOLZEN		1
16	532 13 70-96	STÜTZE		1

# REPAIR PARTS

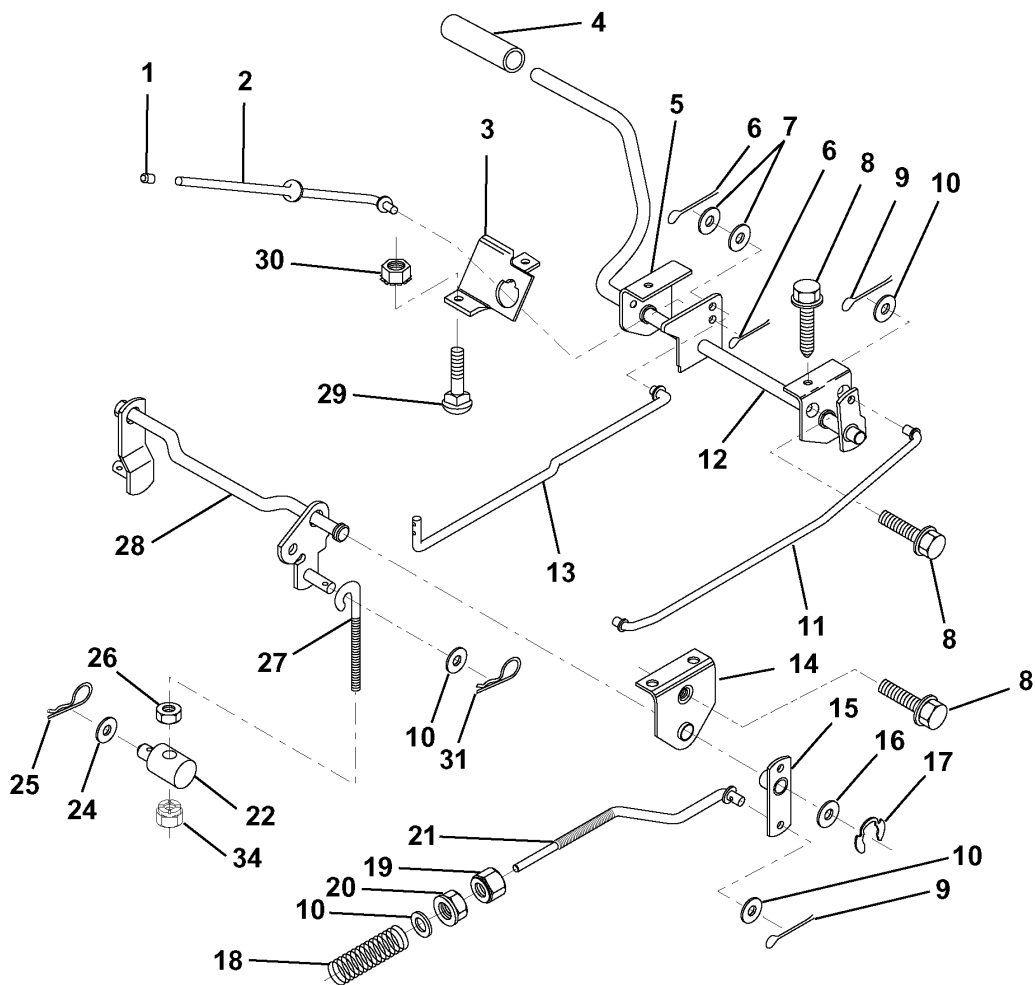
TRACTOR - MODEL NO. LRH13 (J8F13H36TB), PRODUCT NO. 954 13 00-17  
FRONT AXLE



Referenz	Teile Nr	Beschreibung	Bemerkung:	ANZ KIT
1	532 12 12-32	RADKAPPE		1
2	812 00 00-29	SPRENGRING		1
3	532 12 17-48	SCHEIBE		1
4	532 12 49-37	BEARING COL. STRG.		1
5	532 14 20-33	ACHSE		1
6	532 12 49-31	SCHEIBE		1
7	532 16 18-26	SPINDEL		1
8	532 12 17-49	SCHEIBE		1
9	876 02 04-12	SPANNHÜLSE		1
10	819 13 13-16	SCHEIBE		1
11	532 12 68-47	BUSHING		1
12	532 13 04-65	STANGE		1
13	532 16 18-27	SPINDEL		1
14	874 01 10-56	BOLZEN		1
15	873 90 10-00	MUTTER		1
16	532 11 04-38	ABSTANDSSCHEIBE		1
17	532 12 48-36	NIPPEL		1
18	819 27 20-16	SCHEIBE		1

## REPAIR PARTS

TRACTOR - MODEL NO. LRH13 (J8F13H36TB), PRODUCT NO. 954 13 00-17  
BRAKE / REAR MOWER LIFT ASSEMBLY

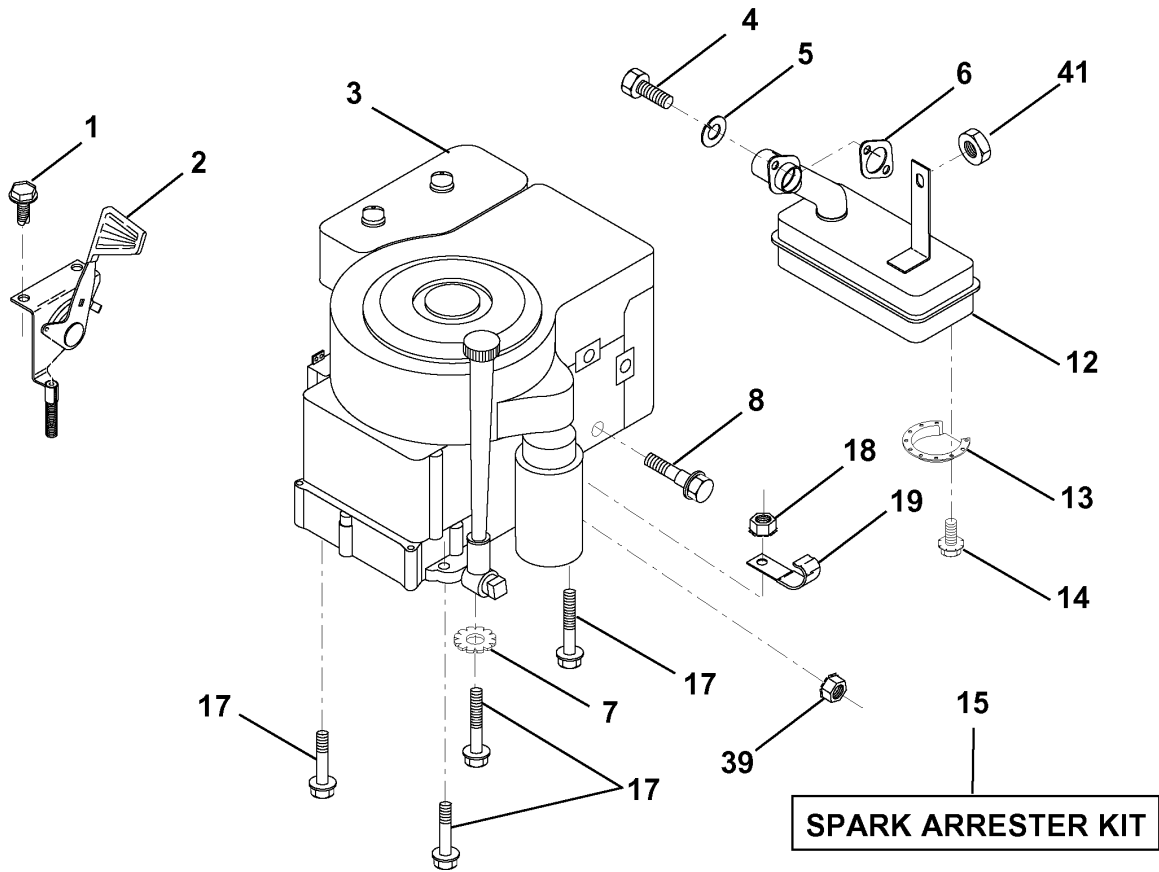




Referenz	Teile Nr	Beschreibung	Bemerkung:	ANZ KIT
1	532 07 16-73	DECKEL		1
2	532 12 34-36	STANGE		1
3	532 12 34-37	HOLDER		1
4	532 12 48-72	PEDAL RUBBER		1
5	532 12 25-04	HOLDER		1
6	876 02 03-12	SPANNHÜLSE		1
7	819 13 10-16	SCHEIBE		1
8	817 49 05-08	SCHRAUBE		1
9	876 02 04-12	SPANNHÜLSE		1
10	819 13 13-16	SCHEIBE		1
11	532 12 35-43	STANGE		1
12	532 13 99-33	PEDAL CPL.		1
13	532 12 33-94	STANGE		1
14	532 12 19-78	HOLDER		1
15	532 13 33-32	HEBEL		1
16	819 25 18-16	SCHEIBE		1
17	812 00 00-34	SPRENGRING		1
18	532 15 13-32	FEDER		1
19	873 35 06-00	MUTTER		1
20	873 80 06-00	MUTTER		1
21	532 14 44-13	STANGE		1
22	532 14 45-85	HALTER		1
24	819 13 20-12	SCHEIBE		1
25	532 12 49-61	KLAMMER		1
26	873 93 06-00	MUTTER		1
27	532 12 73-69	GELENK		1
28	532 14 07-76	SUPPORT, REAR		1
29	872 11 05-06	BOLZEN		1
30	873 51 05-00	MUTTER		1
31	532 12 46-60	SICHERUNGSRING		1
34	873 68 06-00	MUTTER		1

# REPAIR PARTS

TRACTOR - MODEL NO. LRH13 (J8F13H36TB), PRODUCT NO. 954 13 00-17  
ENGINE



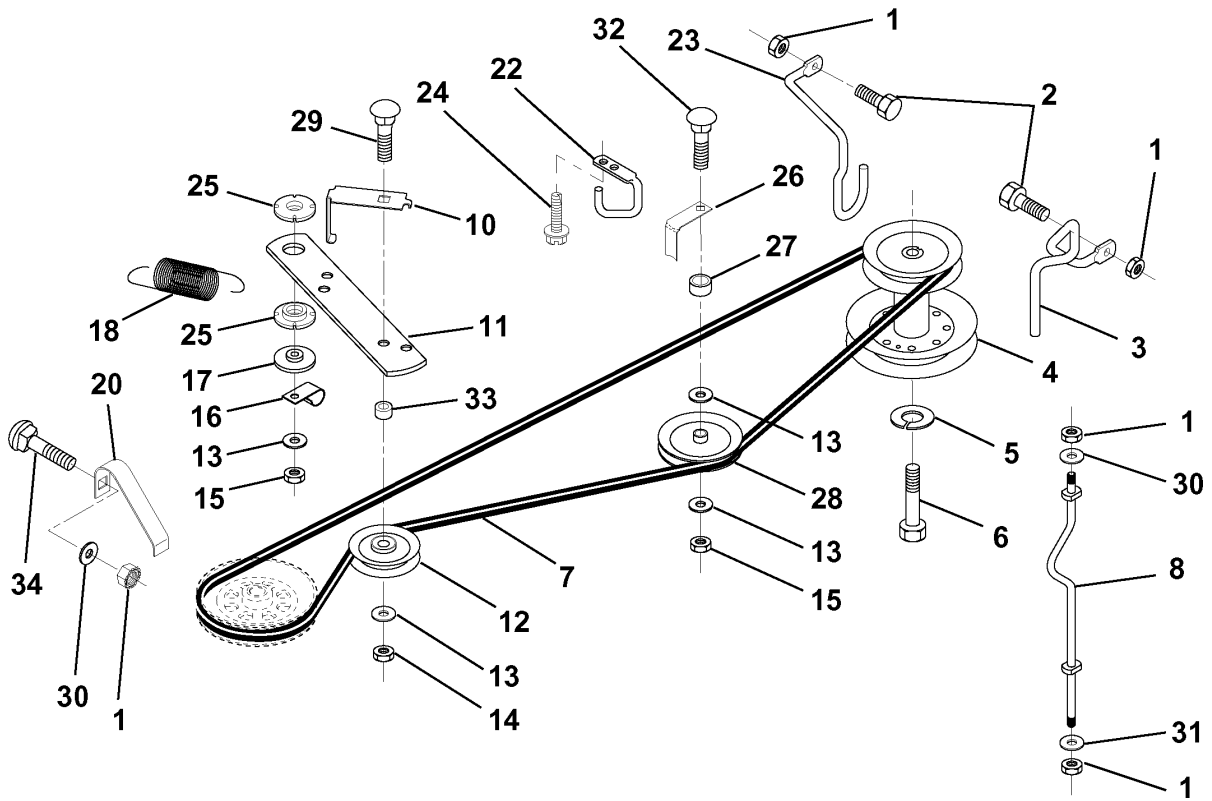
## MOTOR

LRH 13, J8F13H36TB, 954130017, 1998-12

Referenz	Teile Nr	Beschreibung	Bemerkung:	ANZ KIT
1	817 06 04-08	SCHRAUBE		1
2	532 13 27-52	THROTTLE TRIGGER		1
4	532 12 35-28	SCHRAUBE		1
5	810 04 05-00	SCHEIBE		1
6	532 16 52-91	DICHTUNG		1
7	811 05 06-00	SCHEIBE		1
8	532 08 13-28	BOLZEN		1
12	532 15 64-48	SCHALLDÄMPFER		1
13	532 10 13-26	DEFLEKTOR		1
14	817 03 08-08	SCHRAUBE		1
15	532 13 71-80	SPARK ARRESTER KIT		1
17	817 49 06-24	SCHRAUBE		1
18	873 51 06-00	MUTTER		1
19	532 12 49-96	KLAMMER		1
39	532 12 88-61	MUTTER		1
41	873 90 05-00	MUTTER		1

# REPAIR PARTS

TRACTOR - MODEL NO. LRH13 (J8F13H36TB), PRODUCT NO. 954 13 00-17  
GROUND DRIVE



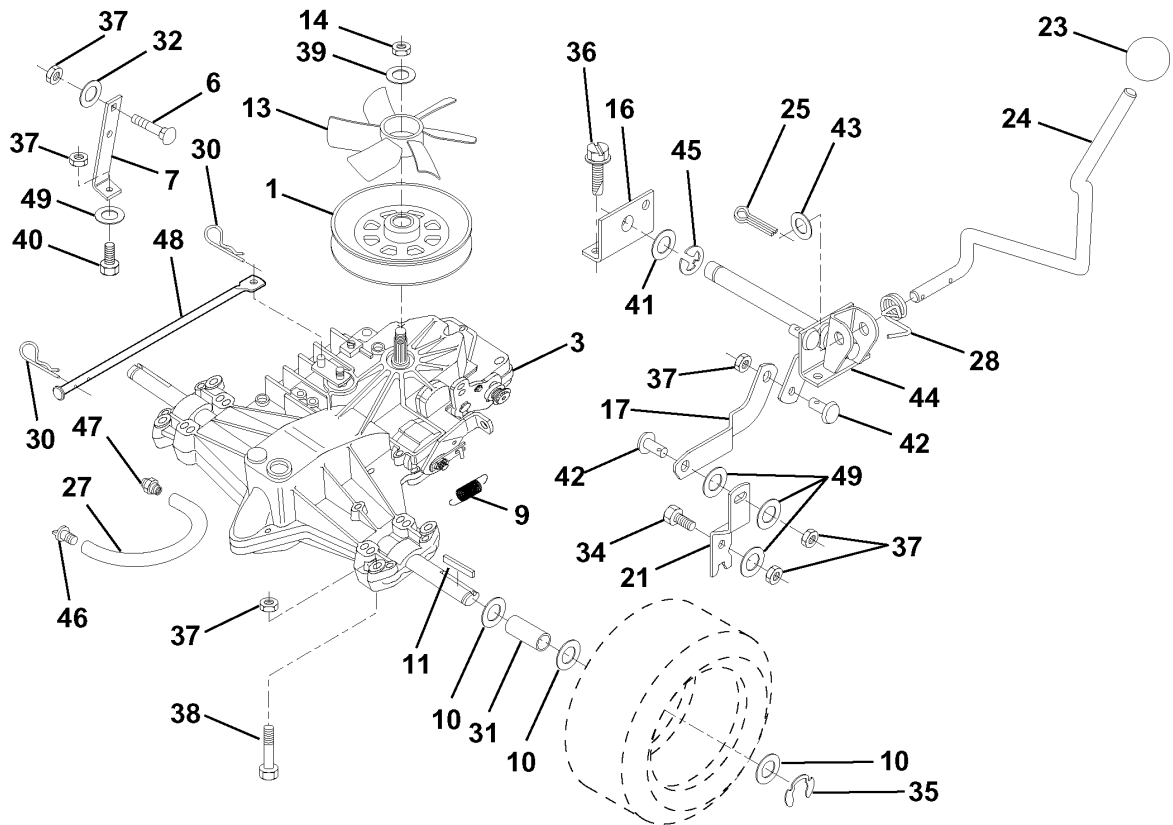
## ANTRIEB

LRH 13, J8F13H36TB, 954130017, 1998-12

Referenz	Teile Nr	Beschreibung	Bemerkung:	ANZ KIT
1	873 80 05-00	LOCK NUT		1
2	874 76 05-12	BOLZEN		1
3	532 14 12-97	RIEMENFÜHRUNG		1
4	532 13 80-29	RIEMENSCHLEIBE		1
5	810 04 07-00	SCHEIBE		1
6	871 17 07-44	BOLZEN		1
7	531 01 31-32	RIEMEN		1
8	532 14 07-85	RIEMENFÜHRUNG		1
10	532 14 07-80	RIEMENFÜHRUNG		1
11	532 15 09-26	HEBEL		1
12	532 12 36-74	RIEMENSCHLEIBE		1
13	819 13 13-16	SCHEIBE		1
14	873 93 06-00	MUTTER		1
15	873 68 06-00	MUTTER		1
16	532 12 64-71	KLAMMER		1
17	532 15 09-32	ABSTANDSSCHLEIBE		1
18	532 13 14-59	FEDER		1
20	532 14 09-09	BELTGUIDE		1
22	532 12 34-04	RIEMENFÜHRUNG		1
23	532 14 09-16	RIEMENFÜHRUNG		1
24	817 72 04-08	SCHRAUBE		1
25	532 15 09-35	BUSHING		1
26	532 14 09-13	RIEMENFÜHRUNG		1
27	532 14 09-14	ABSTANDSSCHLEIBE		1
28	532 13 91-23	RIEMENSCHLEIBE		1
29	872 14 06-18	BOLZEN		1
30	819 11 11-16	SCHEIBE		1
31	819 11 12-16	SCHEIBE		1
32	872 14 06-20	BOLZEN		1
33	532 00 01-60	HÜLSE		1
34	872 14 05-06	BOLZEN		1

# REPAIR PARTS

TRACTOR - MODEL NO. LRH13 (J8F13H36TB), PRODUCT NO. 954 13 00-17  
TRANSAXLE



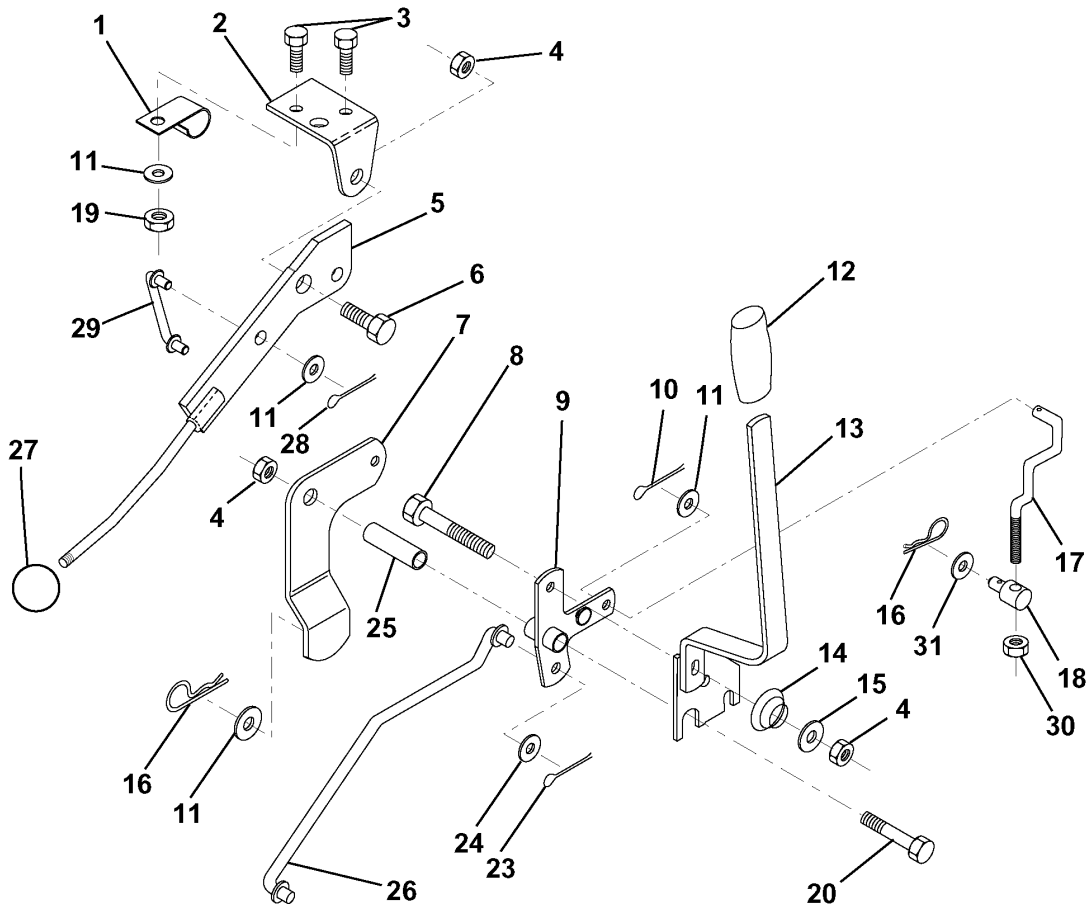
## GETRIEBE

LRH 13, J8F13H36TB, 954130017, 1998-12

Referenz	Teile Nr	Beschreibung	Bemerkung:	ANZ KIT
1	532 14 07-79	RIEMENSCHLEIBE		1
6	872 14 05-06	BOLZEN		1
7	532 14 07-74	HOLDER		1
9	532 14 66-82	FEDER		1
10	532 12 17-49	SCHEIBE		1
11	532 12 35-83	TASTE		1
13	532 14 07-78	LÜFTER		1
14	873 75 08-00	MUTTER		1
16	532 14 07-63	HALTER		1
17	532 14 07-67	HALTER		1
21	532 14 07-73	HALTER		1
23	532121274X			1
24	532 14 07-65	GEAR LEVER		1
25	876 02 04-16	SPANNHÜLSE		1
27	532 14 25-64	HODE		1
28	532 14 07-72	FEDER		1
30	532 12 47-88	RETAINING RING		1
31	532 12 11-99	ABSTANDSSCHLEIBE		1
32	819 11 11-16	SCHEIBE		1
34	874 76 05-16	BOLZEN		1
35	812 00 00-01	SPRENGRING		1
36	817 72 04-08	SCHRAUBE		1
37	873 80 05-00	LOCK NUT		1
38	874 49 05-40	BOLZEN		1
39	819 17 19-12	SCHEIBE		1
40	874 76 05-24	BOLZEN		1
41	819 21 20-13	SCHEIBE		1
42	532 14 07-69	GELENKZAPFEN		1
43	819 17 12-16	SCHEIBE		1
44	532 15 60-47	WELLE		1
45	812 00 00-02	RETAINING RING		1
46	532 14 29-17	VENTIL		1
47	532 14 29-18	NIPPEL		1
48	532 14 09-12	STANGE		1
49	819 11 12-16	SCHEIBE		1

## REPAIR PARTS

TRACTOR - MODEL NO. LRH13 (J8F13H36TB), PRODUCT NO. 954 13 00-17  
MOWER LIFT LEVER

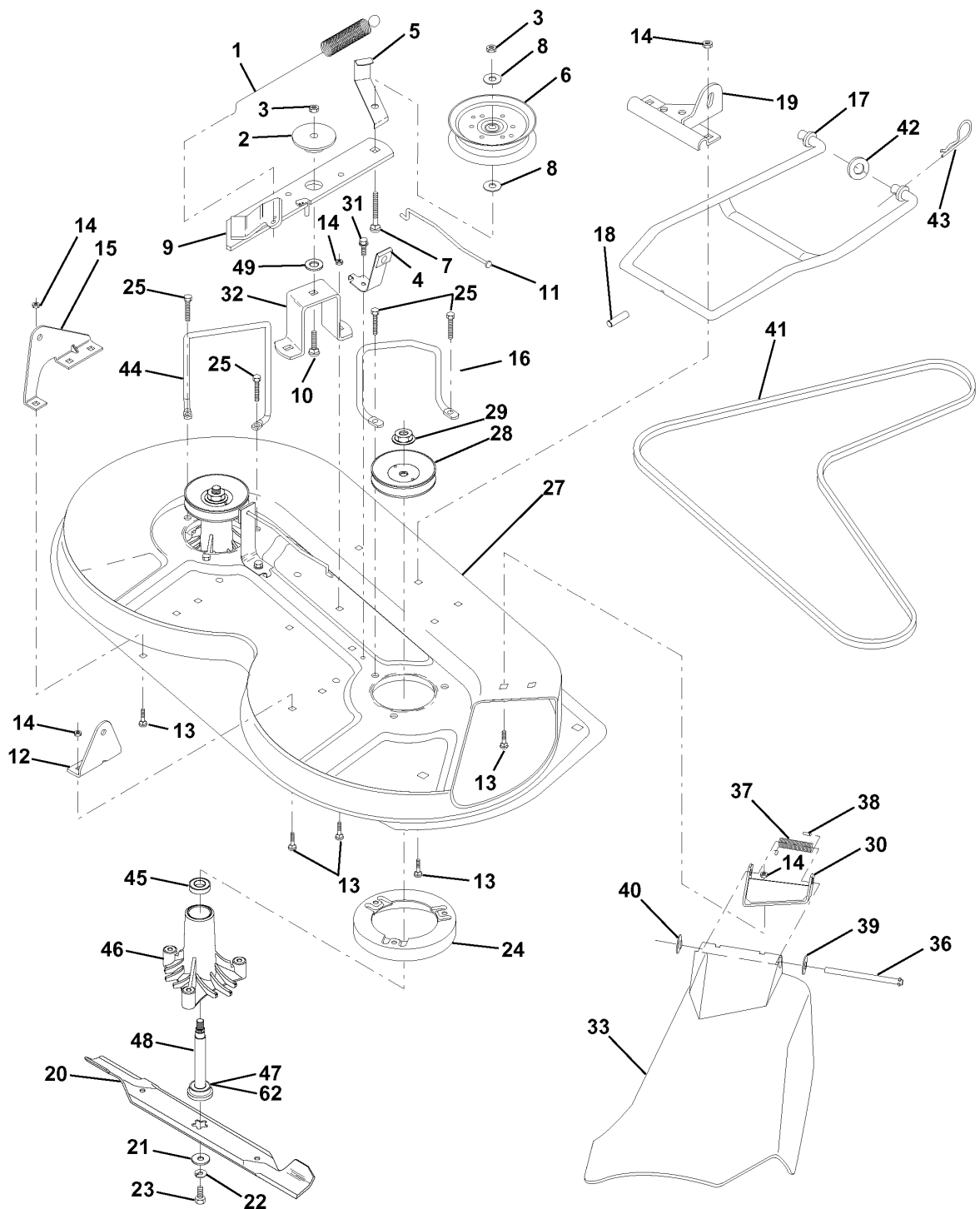




Referenz	Teile Nr	Beschreibung	Bemerkung:	ANZ KIT
1	532 12 64-70	KLAMMER		1
2	532 12 20-18	HOLDER		1
3	871 11 04-08	BOLZEN		1
4	873 68 06-00	MUTTER		1
5	532 14 51-87	BEDIENELEMENT		1
6	532 10 64-51	BOLZEN		1
7	532 13 53-71	HEBEL		1
8	874 76 06-36	BOLZEN		1
9	532 12 19-30	GELENK		1
10	876 02 04-12	SPANNHÜLSE		1
11	819 13 13-16	SCHEIBE		1
12	532 12 20-27	KNOPF		1
13	532 13 93-52	LIFT HANDLE		1
14	532 12 34-96	FEDER		1
15	819 13 12-12	SCHEIBE		1
16	532 12 49-61	KLAMMER		1
17	532 12 73-59	GELENK		1
18	532 14 20-28	HALTER		1
19	873 64 04-00	MUTTER		1
20	874 76 06-44	BOLZEN		1
23	876 02 04-16	SPANNHÜLSE		1
24	819 17 16-12	SCHEIBE		1
25	532 12 19-33	ABSTANDSSCHEIBE		1
26	532 14 14-70	STANGE		1
27	532 12 14-66	KNOPF		1
28	876 02 03-12	SPANNHÜLSE		1
29	532 13 16-55	GELENK		1
30	873 35 06-00	MUTTER		1
31	819 13 20-12	SCHEIBE		1

# REPAIR PARTS

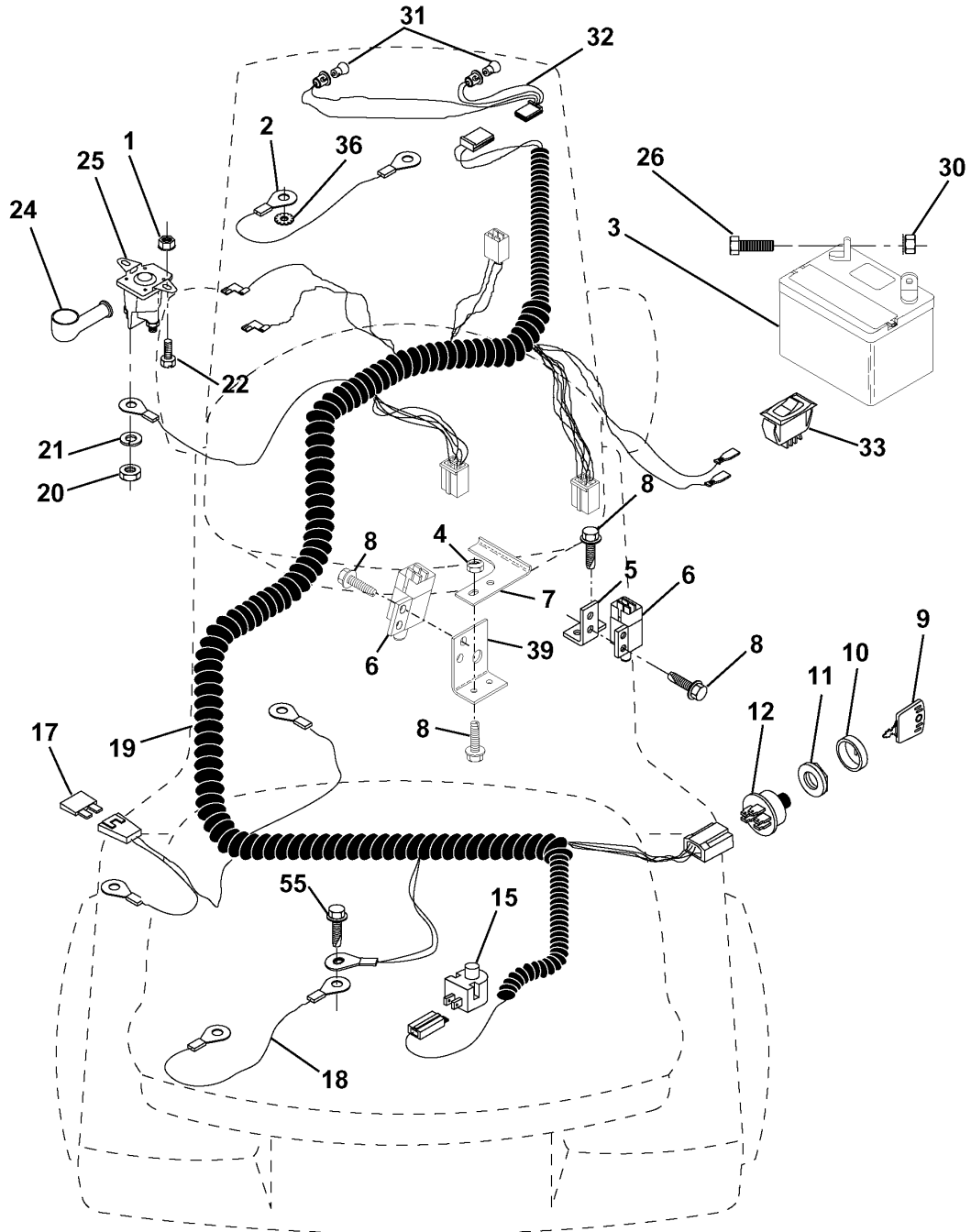
TRACTOR - MODEL NO. LRH13 (J8F13H36TB), PRODUCT NO. 954 13 00-17  
MOWER DECK



Referenz	Teile Nr	Beschreibung	Bemerkung:	ANZ KIT
1	532 14 00-64	FEDER		1
2	532 12 20-52	ABSTANDSSCHEIBE		1
3	873 68 06-00	MUTTER		1
4	532 13 08-40	BREMSHEBEL		1
5	532 13 12-51	RIEMENFÜHRUNG		1
6	532 12 13-16	RIEMENSCHLEIBE		1
7	872 11 06-16	BOLZEN		1
8	819 13 14-10	SCHEIBE		1
9	532 12 77-44	IDLE ARM ASSY LT10/36D		1
10	872 14 06-10	BOLZEN		1
11	532 13 08-41	LINKARM		1
12	532 12 73-56	HALTER		1
13	872 14 05-06	BOLZEN		1
14	873 68 05-00	MUTTER		1
15	532 12 73-57	HALTER		1
16	532 15 32-98	HOLDER		1
17	532 12 85-08	STÜTZE		1
18	532 12 85-11	PIN RETAINING SCREW		1
19	532 12 73-80	HALTER		1
20	531 01 31-26	RIDE ON BLADE		1
21	532 14 02-96	SCHEIBE		1
22	810 03 06-00	SCHEIBE		1
23	532 85 08-57	BOLZEN		1
24	532 14 03-29	ABSTREIFER		1
25	532 15 77-22	SCHRAUBE		1
27	532 15 66-00	GEHÄUSE		1
28	532 15 35-31	RIEMENSCHLEIBE		1
29	532 13 72-66	MUTTER		1
30	532 13 66-31	HALTER		1
31	817 49 05-08	SCHRAUBE		1
32	532 12 20-51	HOLDER		1
33	532 13 15-60	GUARD DISCHARGE LT10/36D		1
36	532 12 19-80	STANGE		1
37	532 12 37-13	FEDER		1
38	532 10 53-04	RADKAPPE		1
39	819 11 10-16	SCHEIBE		1
40	532 11 04-52	MUTTER		1
41	531 01 31-33	RIEMEN		1
42	819 17 16-16	SCHEIBE		1
43	532 12 46-60	SICHERUNGSRING		1
44	532 14 06-08	HOLDER		1
45	532 11 04-85	LAGER		1
46	532 12 87-74	LAGERGEHÄUSE		1
47	532 12 98-95	LAGER		1
48	532 13 76-45	WELLE		1
49	532 13 39-43	SCHEIBE		1
62	532 15 33-90	DICHTUNG		1
--	532 13 07-94	DORN		1
--	532 15 68-66	GEHÄUSE		1

# REPAIR PARTS

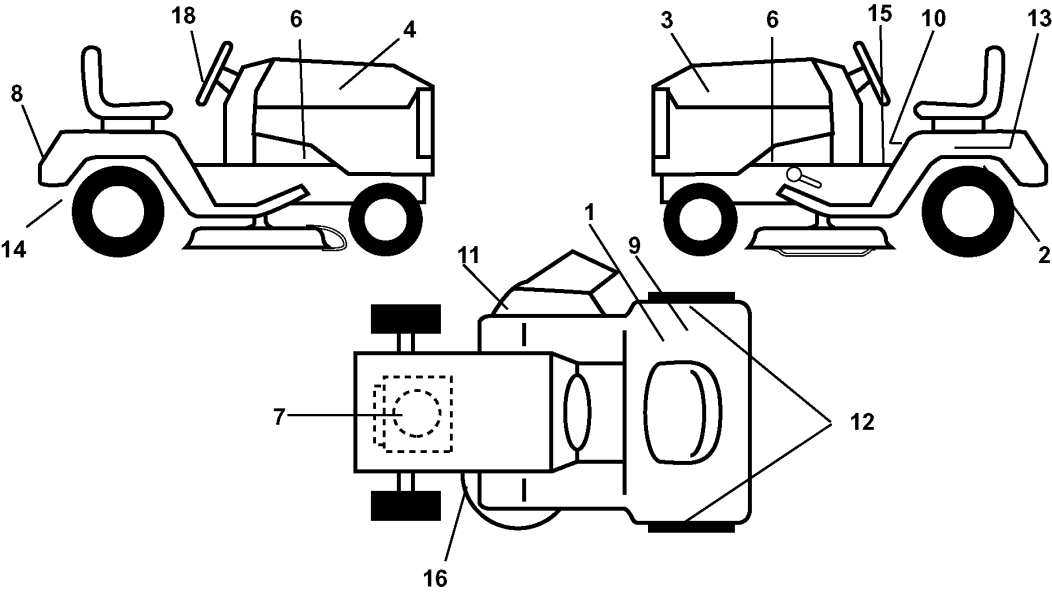
TRACTOR - MODEL NO. LRH13 (J8F13H36TB), PRODUCT NO. 954 13 00-17  
ELECTRICAL



Referenz	Teile Nr	Beschreibung	Bemerkung:	ANZ KIT
1	873 64 04-00	MUTTER		1
2	532 00 45-60	KABEL		1
3	532 14 49-24	BATTERIE		1
4	532 06 91-80	MUTTER		1
5	532 10 82-36	HALTER		1
6	532 10 95-53	SCHALTER		1
7	532 14 63-74	HOLDER		1
8	817 02 10-08	SCHRAUBE		1
9	532 14 04-01	TASTE		1
10	532 14 12-26	PROTECTOR		1
11	532 14 04-00	MUTTER		1
12	532 16 30-88	ZÜNDSCHLOSS		1
15	532 12 13-05	SCHALTER		1
17	532 10 88-24	SICHERUNG		1
18	532 12 83-53	KABELSATZ		1
19	532 14 60-64	TRAGEGURT		1
20	873 35 04-00	MUTTER		1
21	810 09 04-00	SCHEIBE		1
22	871 11 04-08	BOLZEN		1
24	532 13 15-63	DECKEL		1
25	532 14 56-73	ELEKTROMAGNET		1
26	874 76 04-12	BOLZEN		1
30	873 51 04-00	MUTTER		1
31	532 00 41-52	LAMPE		1
32	532 13 68-50	TRAGEGURT		1
33	532 11 07-12	SCHALTER		1
36	811 15 04-00	SICHERUNGSSCHEIBE		1
39	532 14 17-35	HALTER		1
55	817 49 05-08	SCHRAUBE		1

**REPAIR PARTS**

**TRACTOR - MODEL NO. LRH13 (J8F13H36TB), PRODUCT NO. 954 13 00-17  
DECALS**

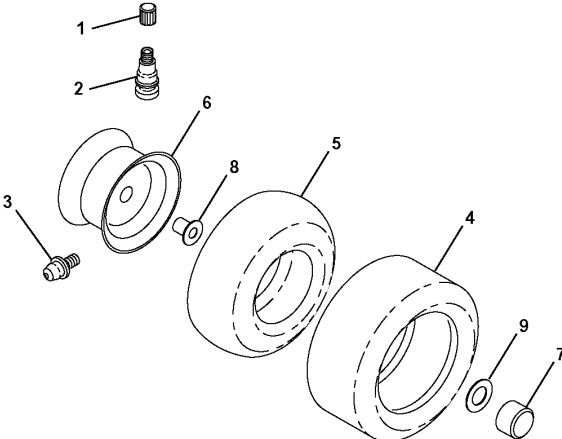


Referenz	Teile Nr	Beschreibung	Bemerkung:	ANZ KIT
1	532 14 54-37	Folie	*NOTE: NOT IN STOCK, BUT CAN BE DELIVERED DIRECTLY FROM FACTORY.	1
2	532 14 14-84	Folie	*NOTE: NOT IN STOCK, BUT CAN BE DELIVERED DIRECTLY FROM FACTORY.	1
3	532 16 30-87	DECALC CAPOT C.GAUCHE 163087		1
4	532 16 30-86	DECALC CAPOT C.DROITE 163086		1
6	532 15 97-36	Folie	*NOTE: NOT IN STOCK, BUT CAN BE DELIVERED DIRECTLY FROM FACTORY.	1
7	532 27 32-12	Folie	*NOTE: NOT IN STOCK, BUT CAN BE DELIVERED DIRECTLY FROM FACTORY.	1
8	532 14 17-61	Folie	*NOTE: NOT IN STOCK, BUT CAN BE DELIVERED DIRECTLY FROM FACTORY.	1
9	532 12 61-87	Folie	*NOTE: NOT IN STOCK, BUT CAN BE DELIVERED DIRECTLY FROM FACTORY.	1
10	532 14 54-98	Folie	*NOTE: NOT IN STOCK, BUT CAN BE DELIVERED DIRECTLY FROM FACTORY.	1
11	532 14 54-94	Folie	*NOTE: NOT IN STOCK, BUT CAN BE DELIVERED DIRECTLY FROM FACTORY.	1
12	532 15 06-52	Folie	*NOTE: NOT IN STOCK, BUT CAN BE DELIVERED DIRECTLY FROM FACTORY.	1
13	532 14 50-05	Folie	*NOTE: NOT IN STOCK, BUT CAN BE DELIVERED DIRECTLY FROM FACTORY.	1
14	532 16 25-98	Folie	*NOTE: NOT IN STOCK, BUT CAN BE DELIVERED DIRECTLY FROM FACTORY.	1
15	532 15 97-39	Folie	*NOTE: NOT IN STOCK, BUT CAN BE DELIVERED DIRECTLY FROM FACTORY.	1
16	532 13 68-30	Folie	*NOTE: NOT IN STOCK, BUT CAN BE DELIVERED DIRECTLY FROM FACTORY.	1
18	532 15 22-52	Folie	*NOTE: NOT IN STOCK, BUT CAN BE DELIVERED DIRECTLY FROM FACTORY.	1
--	532 13 83-11	Folie	*NOTE: NOT IN STOCK, BUT CAN BE DELIVERED DIRECTLY FROM FACTORY.	1
--	532 15 72-46	OPERATORS MANUAL		1
--	MK360	KIT MULCHING 36		1
--	C36	GRASS CATCHER 36"/9540405-06		1

**REPAIR PARTS**

**TRACTOR - MODEL NO. LRH13 (J8F13H36TB), PRODUCT NO. 954 13 00-17**

**WHEELS & TIRES**





## RÄDER &amp; REIFEN

LRH 13, J8F13H36TB, 954130017, 1998-12

Referenz	Teile Nr	Beschreibung	Bemerkung:	ANZ KIT
1	532 05 91-92	CAP VALVE		1
2	532 06 51-39	NIPPEL		1
3	532 12 49-57	NIPPEL		1
4	532 13 74-22	REIFEN		1
4	532 13 27-03	REIFEN		1
5	532 05 99-04	SCHLAUCH		1
5	532 00 81-34	SCHLAUCH		1
6	532 14 20-39	RIM, FRONT		1
6	532 14 16-52	RIM, REAR		1
7	532 10 47-57	RADKAPPE		1
8	532 12 49-59	LAGER		1
9	532 12 17-48	SCHEIBE		1
--	532 14 43-34	SEALING FOAM		1