



SPARE PARTS LIST

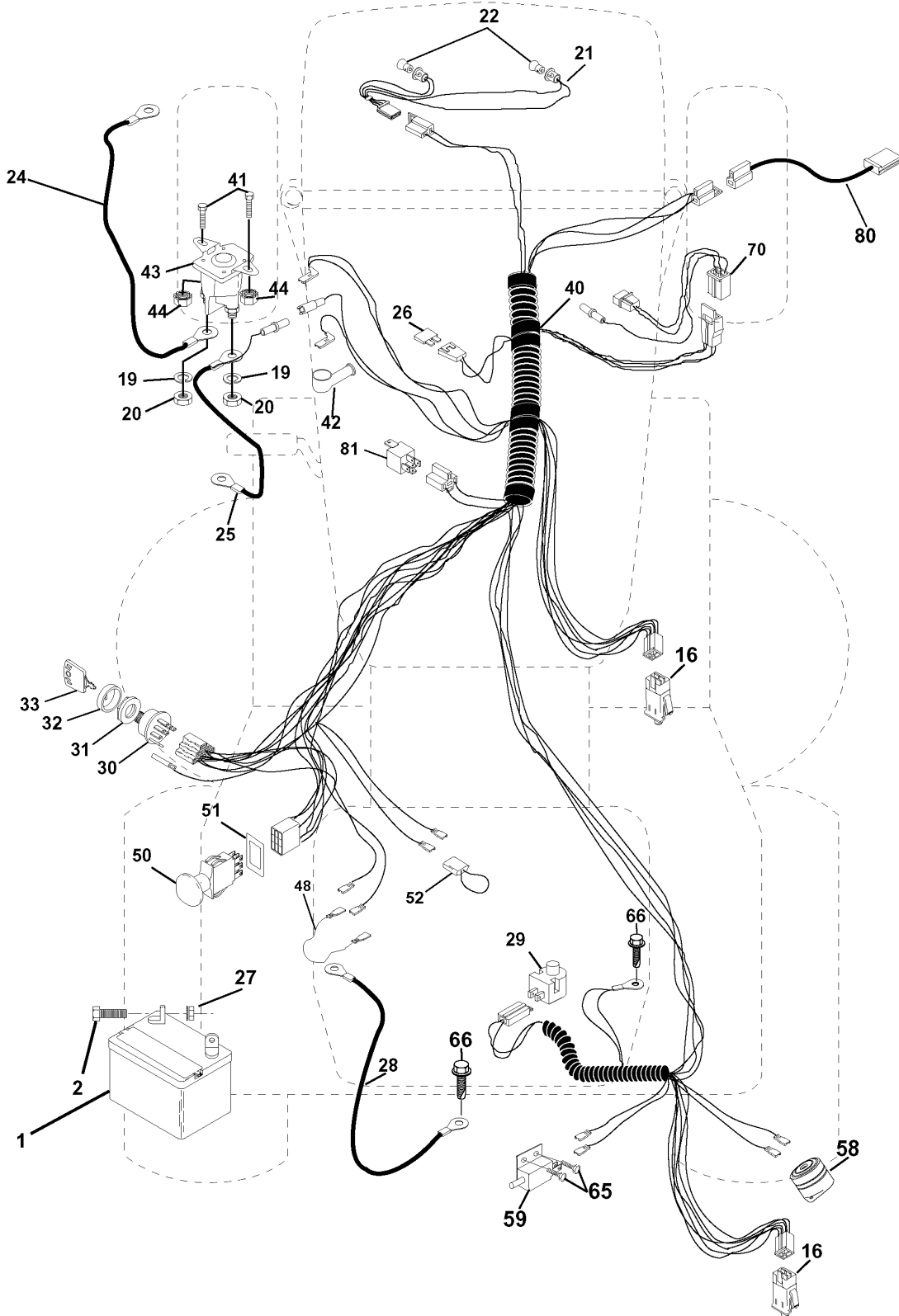
TRACTORS/RIDE MOWERS

ICT 13, JICT13A, 9541300-29, 1999-03

REPAIR PARTS

TRACTOR- -MODEL NO. ICT13 (JICT13A) PRODUCT NO. 954 13 00-29

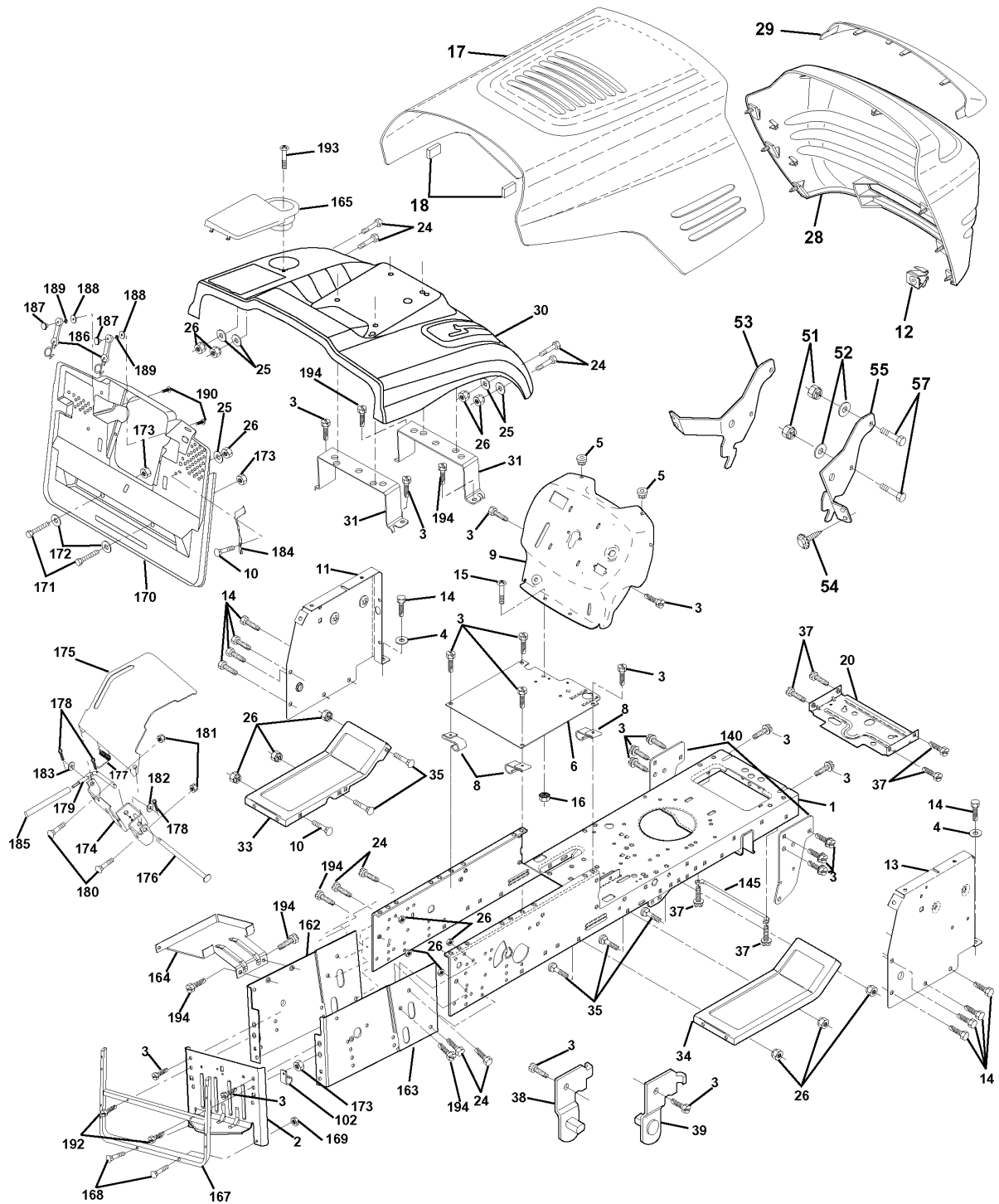
ELECTRICAL



Referenz	Teile Nr	Beschreibung	Bemerkung:	ANZ KIT
1	532 14 49-25	BATTERIE		1
2	874 76 04-12	BOLZEN		1
16	532 15 36-64	SCHALTER		1
19	810 09 04-00	SCHEIBE		1
20	873 35 04-00	MUTTER		1
21	532 16 61-82	KABELSATZ		1
22	532 00 41-52	LAMPE		1
24	532 12 47-80	KABEL		1
25	532 16 59-87	KABEL		1
26	532 16 61-80	SICHERUNG		1
27	873 51 04-00	MUTTER		1
28	532 12 77-25	KABEL		1
29	532 16 07-84	SCHALTER		1
30	532 14 03-01	SCHALTER		1
31	532 12 42-11	MUTTER		1
32	532 14 12-26	PROTECTOR		1
33	532 12 21-47	TASTE		1
40	532 16 61-58	KABELSATZ		1
41	871 11 04-08	BOLZEN		1
42	532 13 15-63	DECKEL		1
43	532 14 56-73	ELEKTROMAGNET		1
44	873 64 04-00	MUTTER		1
48	532 14 08-44	ADAPTER		1
50	532 15 49-63	BRAKER		1
51	532 14 04-05	RAHMEN		1
52	532 14 19-40	PROTECTOR		1
58	532 16 59-43	SUMMER		1
59	532 16 62-99	SCHALTER		1
65	817 21 10-08	SCHRAUBE		1
66	817 49 06-08	SCHRAUBE		1
70	532 16 66-68	KABELSATZ		1
80	532 14 66-85	KABELSATZ		1
81	532 10 97-48	RELAIS		1

REPAIR PARTS

TRACTOR- -MODEL NO. ICT13 (JICT13A) PRODUCT NO. 954 13 00-29
CHASSIS AND ENCLOSURES



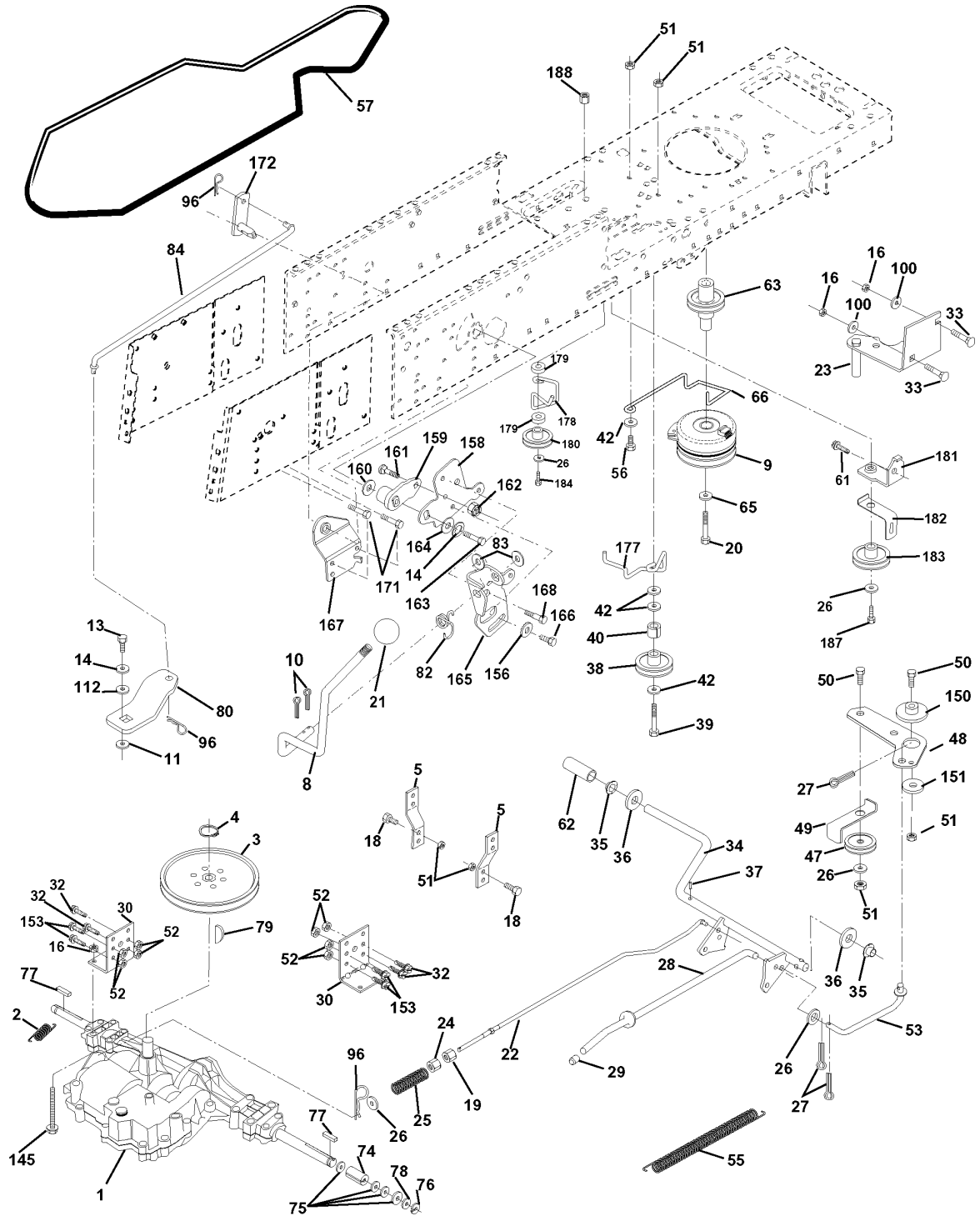
Referenz	Teile Nr	Beschreibung	Bemerkung:	ANZ KIT
1	532 16 54-80	RAHMEN		1
2	532 16 56-06	PLATTE		1
3	817 49 06-12	SCHRAUBE		1
4	819 13 12-16	SCHEIBE		1
5	532 15 52-72	DÄMPFER		1
6	532 15 59-23	PLATTE		1
8	532 12 64-71	KLAMMER		1
9	532 16 87-89	SCHALTBRETT		1
10	872 14 06-08	BOLZEN		1
11	532 15 59-27	PLATTE		1
12	532 14 56-60	KLAMMER		1
13	532 15 59-36	PLATTE		1
14	817 49 06-08	SCHRAUBE		1
15	874 18 05-12	SCHRAUBE		1
16	873 51 05-00	MUTTER		1
17	532 15 07-60	HAUBE		1
18	532 12 69-38	DÄMPFER		1
20	532 15 64-37	PLATTE		1
24	874 78 06-16	BOLZEN		1
25	819 13 13-12	SCHEIBE		1
26	873 80 06-00	MUTTER		1
28	532 15 07-61	PLATTE		1
29	532 16 66-03	LINSE		1
30	532 16 87-96	SCHUTZ		1
31	532 16 51-56	HALTER		1
33	532 14 91-39	STÜTZE		1
34	532 14 91-40	STÜTZE		1
35	872 11 06-06	BOLZEN		1
37	817 49 05-08	SCHRAUBE		1
38	532 13 98-86	HALTER		1
39	532 13 98-87	HALTER		1
51	873 80 04-00	MUTTER		1
52	819 09 14-16	SCHEIBE		1
53	532 14 52-01	HALTER		1
54	532 16 14-64	SCHRAUBE		1
55	532 14 52-02	HALTER		1
57	874 78 04-12	BOLZEN		1
102	532 12 49-96	KLAMMER		1
140	532 15 84-18	HALTER		1
145	532 15 65-24	WELLE		1
162	532 16 56-72	HALTER		1
163	532 16 56-73	HALTER		1
164	532 16 56-05	STÜTZE		1
165	532 16 84-07	DECKEL		1
167	532 16 57-79	STÜTZE		1
168	872 05 04-12	BOLZEN		1
169	532 12 39-76	LOCKNUT		1
170	532 16 56-07	DECKEL		1
171	874 52 06-40	BOLZEN		1
172	819 13 20-16	SCHEIBE		1
173	873 51 06-00	MUTTER		1
174	532 16 59-39	HALTER		1
175	532 16 62-12	PROTECTOR		1
176	532 12 86-00	LOCKING PIN		1
177	532 13 27-96	FEDER		1
178	876 02 03-12	SPANNHÜLSE		1
179	532 16 59-42	STANGE		1
180	874 76 05-16	BOLZEN		1
181	873 68 05-00	MUTTER		1
182	532 13 82-00	SCHEIBE		1
183	819 13 13-16	SCHEIBE		1
184	532 16 61-39	HALTER		1
185	532 16 59-40	ROHR		1
186	532 16 07-93	SPERRHAKEN		1

Referenz	Teile Nr	Beschreibung	Bemerkung:	ANZ KIT
187	532 12 50-04	MUTTER		1
188	819 06 12-16	SCHEIBE		1
189	810 07 10-00	SCHEIBE		1
190	871 16 10-10	SCHRAUBE		1
192	817 49 06-24	SCHRAUBE		1
193	817 72 04-10	SCHRAUBE		1
194	817 06 06-12	SCHRAUBE		1
--	532 00 54-79	STOPFEN		1

REPAIR PARTS

TRACTOR- -MODEL NO. ICT13 (JICT13A) PRODUCT NO. 954 13 00-29

DRIVE

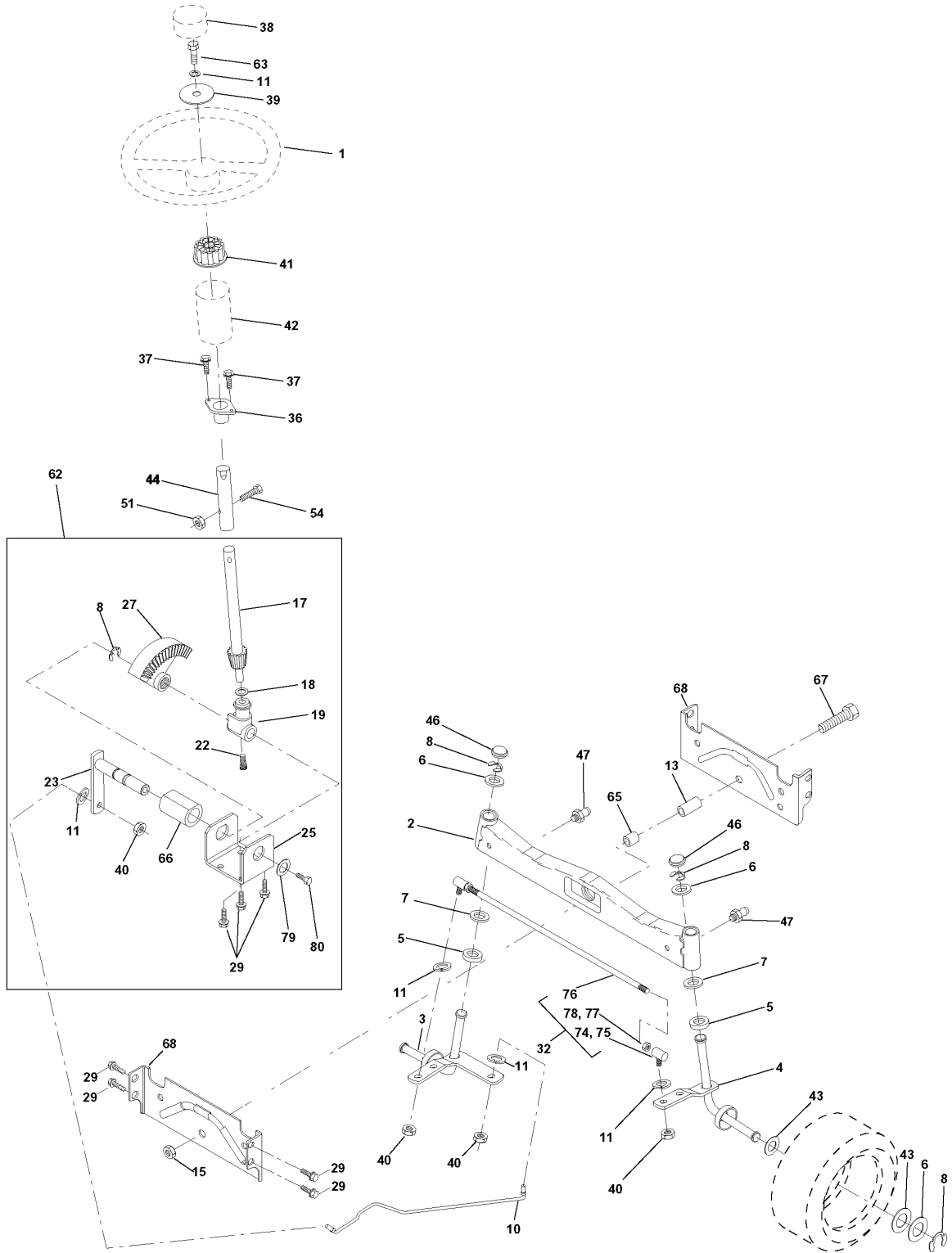


Referenz	Teile Nr	Beschreibung	Bemerkung:	ANZ KIT
2	532 14 66-82	FEDER		1
3	532 16 59-99	RIEMENSCHLEIBE		1
4	812 00 00-28	KLAMMER		1
5	532 12 15-20	HALTER		1
8	532 16 56-19	STANGE		1
9	532 16 71-62	KUPPLUNG		1
10	876 02 04-16	SPANNHÜLSE		1
11	532 10 57-01	SCHEIBE		1
13	874 55 04-12	BOLZEN		1
14	810 04 04-00	SCHEIBE		1
16	873 80 05-00	LOCK NUT		1
18	874 78 06-16	BOLZEN		1
19	873 80 06-00	MUTTER		1
20	532 15 02-80	SCHRAUBE		1
21	532 10 69-33	KNOPF		1
22	532 16 58-11	STANGE		1
23	532 15 49-78	HALTER		1
24	873 35 06-00	MUTTER		1
25	532 10 68-88	FEDER		1
26	819 13 13-16	SCHEIBE		1
27	876 02 04-12	SPANNHÜLSE		1
28	532 14 52-04	STANGE		1
29	532 12 42-36	PLUNGER		1
30	532 13 08-07	HALTER		1
32	874 76 05-12	BOLZEN		1
33	872 14 05-06	BOLZEN		1
34	532 16 54-96	WELLE		1
35	532 12 01-83	LAGER		1
36	819 21 16-16	SCHEIBE		1
37	532 12 49-63	PIN RETAINING SCREW		1
38	532 16 59-36	RIEMENSCHLEIBE		1
39	874 76 06-44	BOLZEN		1
40	532 12 49-65	ABSTANDSSCHLEIBE		1
42	819 13 13-12	SCHEIBE		1
47	532 12 77-83	RIEMENSCHLEIBE		1
48	532 15 44-07	FÜHRUNG		1
49	532 12 32-05	RIEMENFÜHRUNG		1
50	874 76 06-24	BOLZEN		1
51	873 68 06-00	MUTTER		1
52	873 68 05-00	MUTTER		1
53	532 10 57-10	GELENK		1
55	532 10 57-09	FEDER		1
56	874 76 06-20	BOLZEN		1
57	532 16 56-31	RIEMEN		1
61	817 49 06-12	SCHRAUBE		1
62	532 12 48-72	PEDAL RUBBER		1
63	532 14 58-68	RIEMENSCHLEIBE		1
65	810 04 07-00	SCHEIBE		1
66	532 15 47-78	SPANNER		1
74	532 13 70-57	ABSTANDSSCHLEIBE		1
75	532 12 17-49	SCHEIBE		1
76	812 00 00-01	SPRENGRING		1
77	532 12 35-83	TASTE		1
78	532 12 17-48	SCHEIBE		1
79	532 12 50-96	SCHEIBENFEDER		1
80	532 14 50-90	HEBEL		1
82	532 12 37-82	TORSIONSFEDER		1
83	819 17 12-16	SCHEIBE		1
84	532 16 56-21	GELENK		1
96	532 12 47-88	RETAINING RING		1
100	819 11 12-16	SCHEIBE		1
112	819 09 12-10	SCHEIBE		1
145	874 49 05-40	BOLZEN		1
150	532 16 58-50	BUSHING		1

Referenz	Teile Nr	Beschreibung	Bemerkung:	ANZ KIT
151	819 13 32-10	SCHEIBE		1
153	874 76 05-16	BOLZEN		1
156	532 16 60-02	SCHEIBE		1
158	532 16 55-89	HALTER		1
159	532 16 54-94	HEBEL		1
160	819 29 20-16	SCHEIBE		1
161	872 14 04-06	BOLZEN		1
162	873 68 04-00	MUTTER		1
163	874 78 04-16	BOLZEN		1
164	819 09 10-10	SCHEIBE		1
165	532 16 56-23	HALTER		1
166	532 16 68-80	SCHRAUBE		1
167	532 16 55-88	HALTER		1
168	532 16 54-92	BOLZEN		1
171	817 49 06-08	SCHRAUBE		1
172	532 16 56-35	WELLE		1
177	532 16 59-32	HOLDER		1
178	532 16 59-33	HOLDER		1
179	532 12 09-58	SCHEIBE		1
180	532 16 56-30	RIEMENSCHLEIBE		1
181	532 16 57-97	HALTER		1
182	532 16 56-34	HOLDER		1
183	532 16 56-26	RIEMENSCHLEIBE		1
184	817 49 06-44	SCHRAUBE		1
187	817 49 06-20	SCHRAUBE		1
188	532 11 04-36	DICHTSCHLEIBE		1

REPAIR PARTS

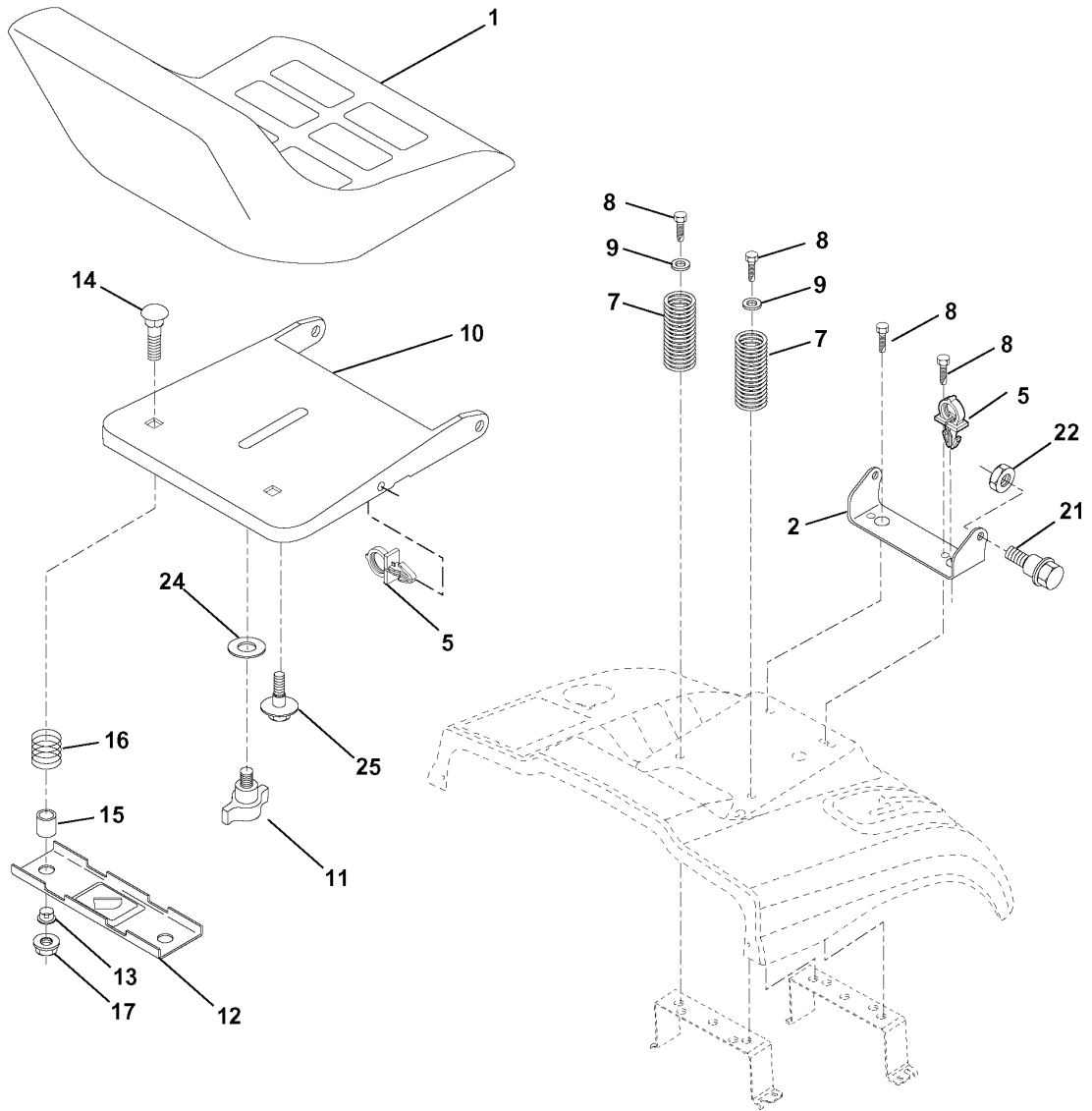
TRACTOR- -MODEL NO. ICT13 (JICT13A) PRODUCT NO. 954 13 00-29
STEERING ASSEMBLY



Referenz	Teile Nr	Beschreibung	Bemerkung:	ANZ KIT
1	532 14 00-44	LENKRAD		1
2	532 13 70-94	WELLE		1
3	532 15 74-79	SPINDEL		1
4	532 15 74-78	SPINDEL		1
5	532 12 49-31	SCHEIBE		1
6	532 12 17-48	SCHEIBE		1
7	819 27 20-16	SCHEIBE		1
8	812 00 00-29	SPRENGRING		1
10	532 15 44-32	GELENK		1
11	810 04 06-00	SCHEIBE		1
13	532 16 71-18	ABSTANDSSCHEIBE		1
15	873 90 10-00	MUTTER		1
17	532 15 65-46	WELLE		1
18	532 05 70-79	SCHEIBE		1
19	532 16 03-95	STÜTZE		1
22	532 16 58-57	SCHRAUBE		1
23	532 16 58-51	GELENK		1
25	532 15 44-06	HALTER		1
27	532 13 68-74	EXZENTERSCHEIBE		1
29	817 49 06-12	SCHRAUBE		1
32	532 13 73-47	STANGE		1
36	532 15 50-99	BUSHING		1
37	532 15 29-27	SCHRAUBE		1
38	532 14 00-45	EINSATZ		1
39	819 13 38-08	SCHEIBE		1
40	532 12 47-01	MUTTER		1
41	532 10 07-11	ADAPTER		1
42	532 14 50-54	HÜLSE		1
43	532 12 17-49	SCHEIBE		1
44	532 15 37-20	STEERING PINION		1
46	532 12 12-32	RADKAPPE		1
47	532 12 48-36	NIPPEL		1
51	873 80 05-00	LOCK NUT		1
54	874 78 05-20	BOLZEN		1
62	532 16 79-02	GUIDE,CPL		1
63	874 78 06-16	BOLZEN		1
65	532 15 47-80	BUSHING		1
66	532 15 44-04	BUSHING		1
67	874 78 10-44	SCHRAUBE		1
68	532 15 44-29	WELLE		1
74	532 10 98-50	GELENK		1
75	532 10 98-51	GELENK		1
76	532 13 71-56	STANGE		1
77	873 70 06-00	MUTTER		1
78	873 36 06-00	MUTTER		1
79	819 13 20-12	SCHEIBE		1
80	874 95 06-12	BOLZEN		1

REPAIR PARTS

TRACTOR- -MODEL NO. ICT13 (JICT13A) PRODUCT NO. 954 13 00-29
SEAT ASSEMBLY

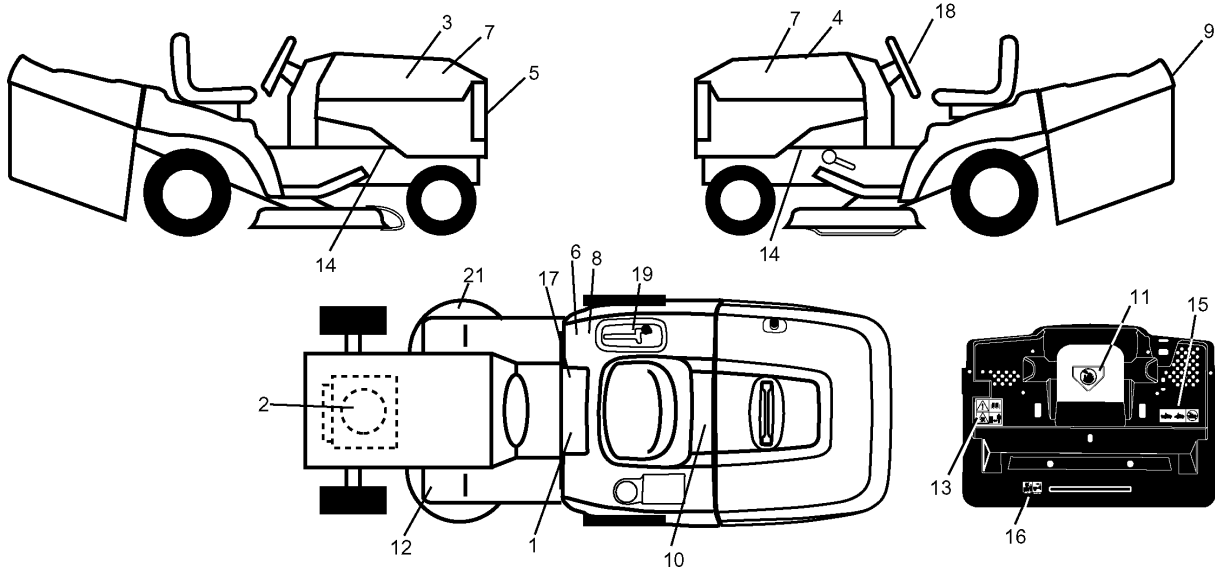


Referenz	Teile Nr	Beschreibung	Bemerkung:	ANZ KIT
1	532 14 01-17	SITZ		1
2	532 14 05-51	HALTER		1
5	532 14 50-06	KLAMMER		1
7	532 12 41-81	FEDER		1
8	817 49 06-16	SCHRAUBE		1
9	819 13 16-14	SCHEIBE		1
10	532 15 59-25	HALTER		1
11	532 16 63-69	FLÜGELMUTTER		1
12	532 12 12-46	HALTER		1
13	532 12 12-48	BUSHING		1
14	872 05 04-12	BOLZEN		1
15	532 13 43-00	ABSTANDSSCHEIBE		1
16	532 12 12-50	FEDER		1
17	532 12 39-76	LOCKNUT		1
21	532 15 32-36	SCHRAUBE		1
22	873 80 05-00	LOCK NUT		1
24	819 17 19-12	SCHEIBE		1
25	532 12 70-18	BOLZEN		1

REPAIR PARTS

TRACTOR- -MODEL NO. ICT13 (JICT13A) PRODUCT NO. 954 13 00-29

DECALS



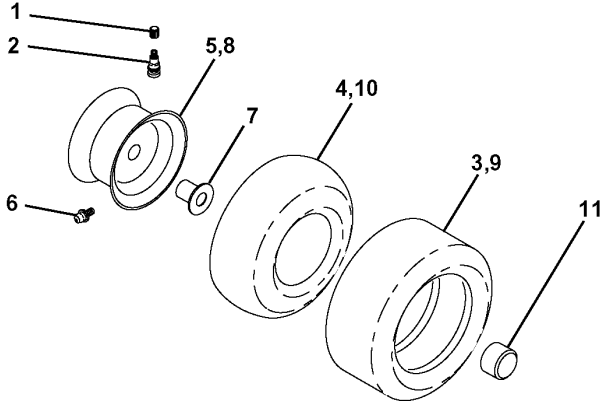
Referenz	Teile Nr	Beschreibung	Bemerkung:	ANZ KIT
1	532 14 54-98	Folie	* NOTE: NOT IN STOCK, BUT CAN BE DELIVERED DIRECTLY FROM FACTORY.	1
2	532 16 84-09	DECALC"HP MOTEUR" B&S 168409	* NOTE: NOT IN STOCK, BUT CAN BE DELIVERED DIRECTLY FROM FACTORY.	1
3	532 16 71-13	DECALC CAPOT C.DROITE 167113		1
4	532 16 71-14	DECALC CAPOT C.GAUCHE 167114		1
5	532 15 22-62	Folie	* NOTE: NOT IN STOCK, BUT CAN BE DELIVERED DIRECTLY FROM FACTORY.	1
6	532 12 61-87	Folie	* NOTE: NOT IN STOCK, BUT CAN BE DELIVERED DIRECTLY FROM FACTORY.	1
7	532 16 29-27	Folie	* NOTE: NOT IN STOCK, BUT CAN BE DELIVERED DIRECTLY FROM FACTORY.	1
8	532 14 54-37	Folie	* NOTE: NOT IN STOCK, BUT CAN BE DELIVERED DIRECTLY FROM FACTORY.	1
9	532 14 17-61	Folie	* NOTE: NOT IN STOCK, BUT CAN BE DELIVERED DIRECTLY FROM FACTORY.	1
10	532 14 50-05	Folie	* NOTE: NOT IN STOCK, BUT CAN BE DELIVERED DIRECTLY FROM FACTORY.	1
11	532 14 54-94	Folie	* NOTE: NOT IN STOCK, BUT CAN BE DELIVERED DIRECTLY FROM FACTORY.	1
12	532 15 97-37	Folie	* NOTE: NOT IN STOCK, BUT CAN BE DELIVERED DIRECTLY FROM FACTORY.	1
13	532 16 69-59	Folie	* NOTE: NOT IN STOCK, BUT CAN BE DELIVERED DIRECTLY FROM FACTORY.	1
14	532 15 97-36	Folie	* NOTE: NOT IN STOCK, BUT CAN BE DELIVERED DIRECTLY FROM FACTORY.	1
15	532 16 69-61	Folie	* NOTE: NOT IN STOCK, BUT CAN BE DELIVERED DIRECTLY FROM FACTORY.	1
16	532 16 25-98	Folie	* NOTE: NOT IN STOCK, BUT CAN BE DELIVERED DIRECTLY FROM FACTORY.	1
17	532 14 08-37	Folie	* NOTE: NOT IN STOCK, BUT CAN BE DELIVERED DIRECTLY FROM FACTORY.	1
18	532 15 22-52	Folie	* NOTE: NOT IN STOCK, BUT CAN BE DELIVERED DIRECTLY FROM FACTORY.	1
19	532 16 69-63	Folie	* NOTE: NOT IN STOCK, BUT CAN BE DELIVERED DIRECTLY FROM FACTORY.	1

Referenz	Teile Nr	Beschreibung	Bemerkung:	ANZ KIT
21	532 16 62-86	Folie	* NOTE: NOT IN STOCK, BUT CAN BE DELIVERED DIRECTLY FROM FACTORY.	1
--	532 13 83-11	Folie	* NOTE: NOT IN STOCK, BUT CAN BE DELIVERED DIRECTLY FROM FACTORY.	1
--	532 15 71-99	TEPPICH	* NOTE: NOT IN STOCK, BUT CAN BE DELIVERED DIRECTLY FROM FACTORY.	1
--	532 16 70-55	BED.RT ICT13 A		1
--	532 16 70-56	OPERATORS MANUAL		1

REPAIR PARTS

TRACTOR- -MODEL NO. ICT13 (JICT13A) PRODUCT NO. 954 13 00-29

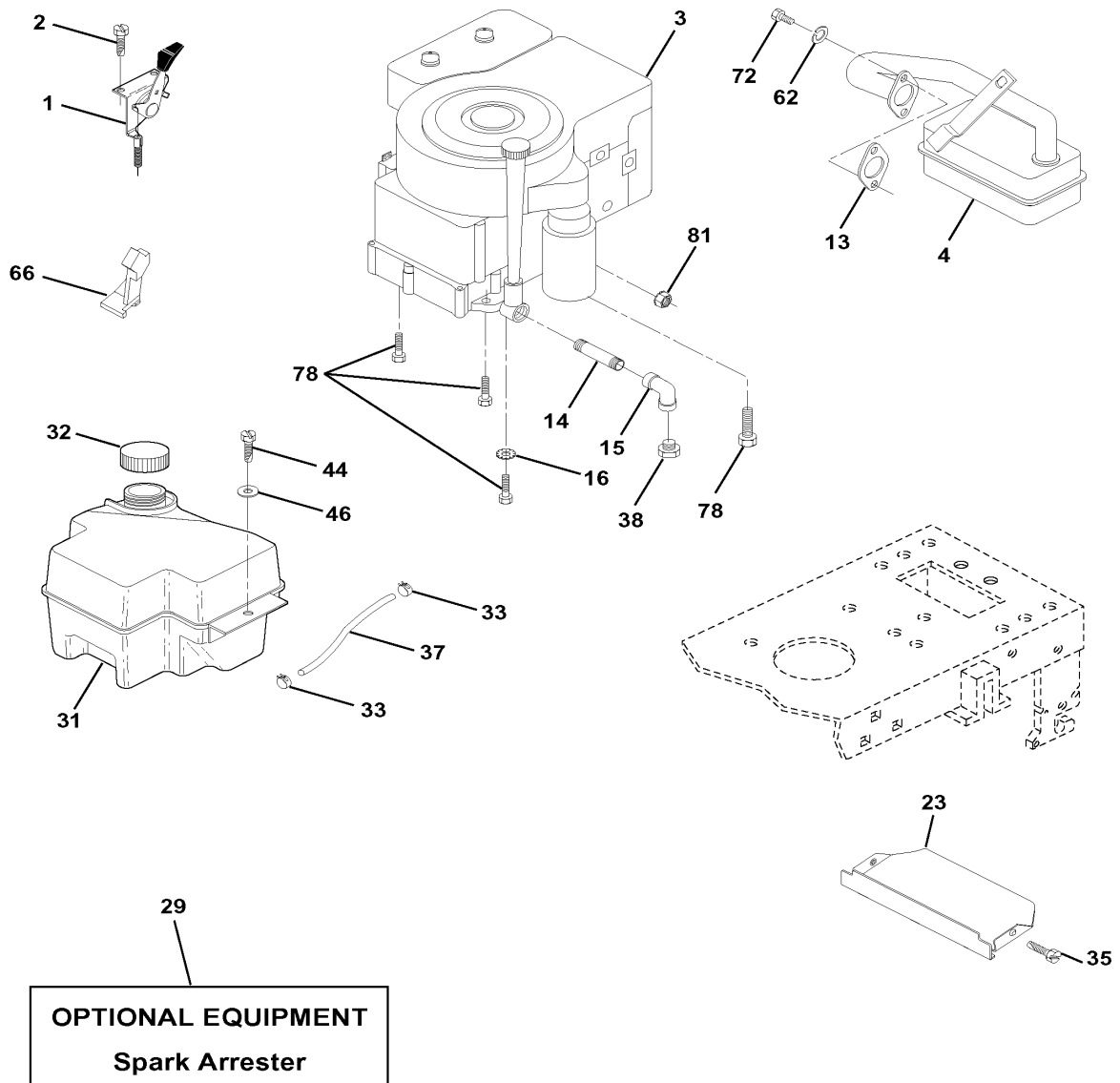
WHEELS & TIRES



Referenz	Teile Nr	Beschreibung	Bemerkung:	ANZ KIT
1	532 05 91-92	CAP VALVE		1
2	532 06 51-39	NIPPEL		1
3	532 10 62-22	REIFEN		1
4	532 05 99-04	SCHLAUCH		1
5	532 13 83-36	FELGE		1
6	532 12 49-57	NIPPEL		1
7	532 12 49-59	LAGER		1
8	532 13 83-37	RINGRITZEL		1
9	532 12 46-35	REIFEN		1
10	532 12 49-26	SCHLAUCH		1
11	532 10 47-57	RADKAPPE		1

REPAIR PARTS

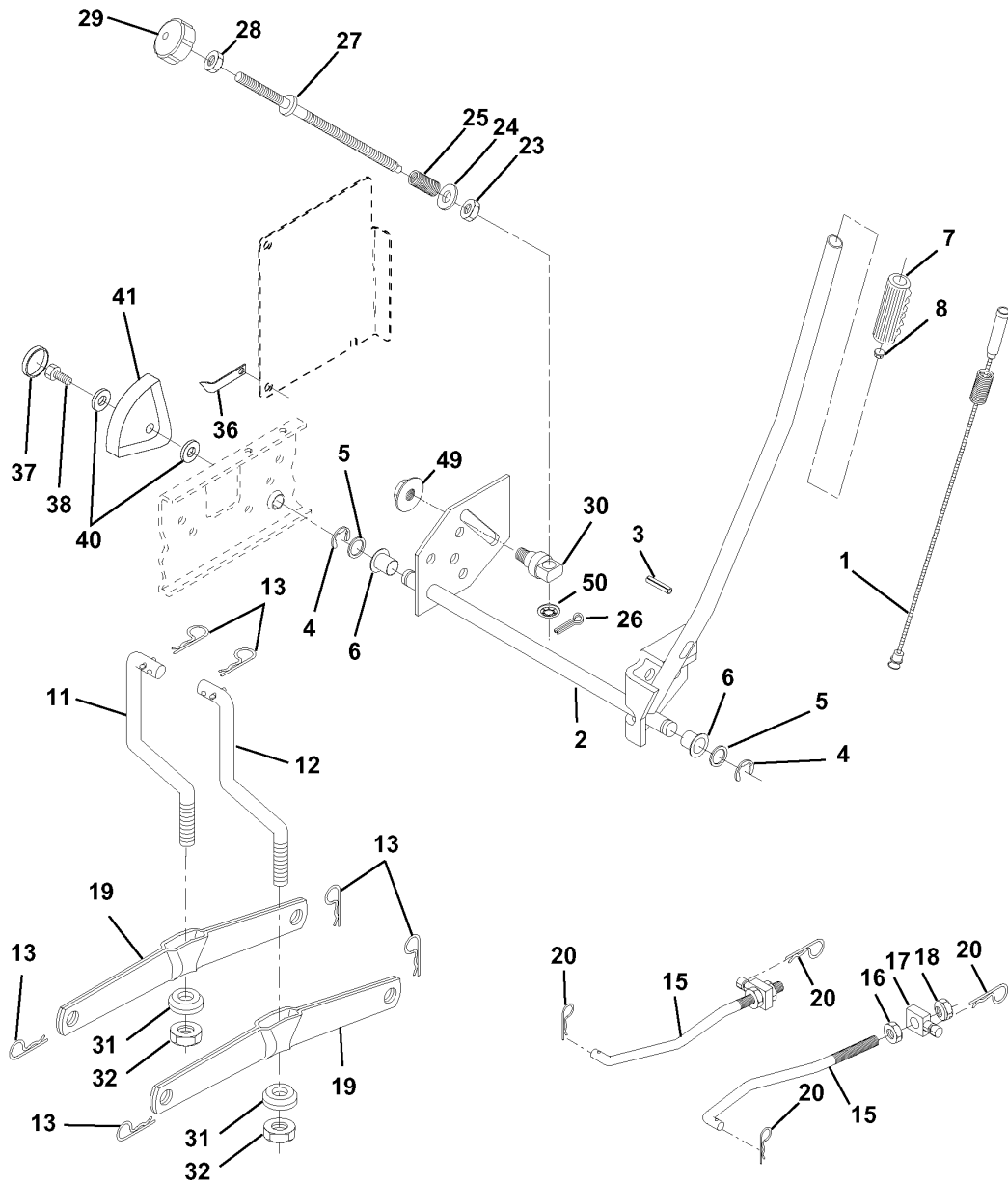
TRACTOR- -MODEL NO. ICT13 (JICT13A) PRODUCT NO. 954 13 00-29
ENGINE



Referenz	Teile Nr	Beschreibung	Bemerkung:	ANZ KIT
1	532 14 13-59	BEDIENELEMENT		1
2	817 72 04-10	SCHRAUBE		1
4	532 13 73-52	SCHALLDÄMPFER		1
13	532 16 52-91	DICHTUNG		1
14	813 28 03-24	ROHR		1
15	813 20 03-00	KNIEROHR		1
16	811 05 06-00	SCHEIBE		1
23	532 15 98-80	PROTECTOR		1
29	532 13 71-80	SPARK ARRESTER KIT		1
31	532 16 19-11	TANK		1
32	532 14 05-27	FUEL CAP		1
33	532 12 34-87	SCHLAUCHSCHELLE		1
35	817 49 05-12	SCHRAUBE		1
37	532 13 70-40	SCHLAUCH		1
44	817 49 04-12	SCHRAUBE		1
46	819 09 14-16	SCHEIBE		1
62	810 04 05-00	SCHEIBE		1
66	532 12 79-51	MOVEMENT LIMITER		1
72	871 07 05-12	BOLZEN		1
78	817 49 06-20	SCHRAUBE		1
81	532 12 88-61	MUTTER		1

REPAIR PARTS

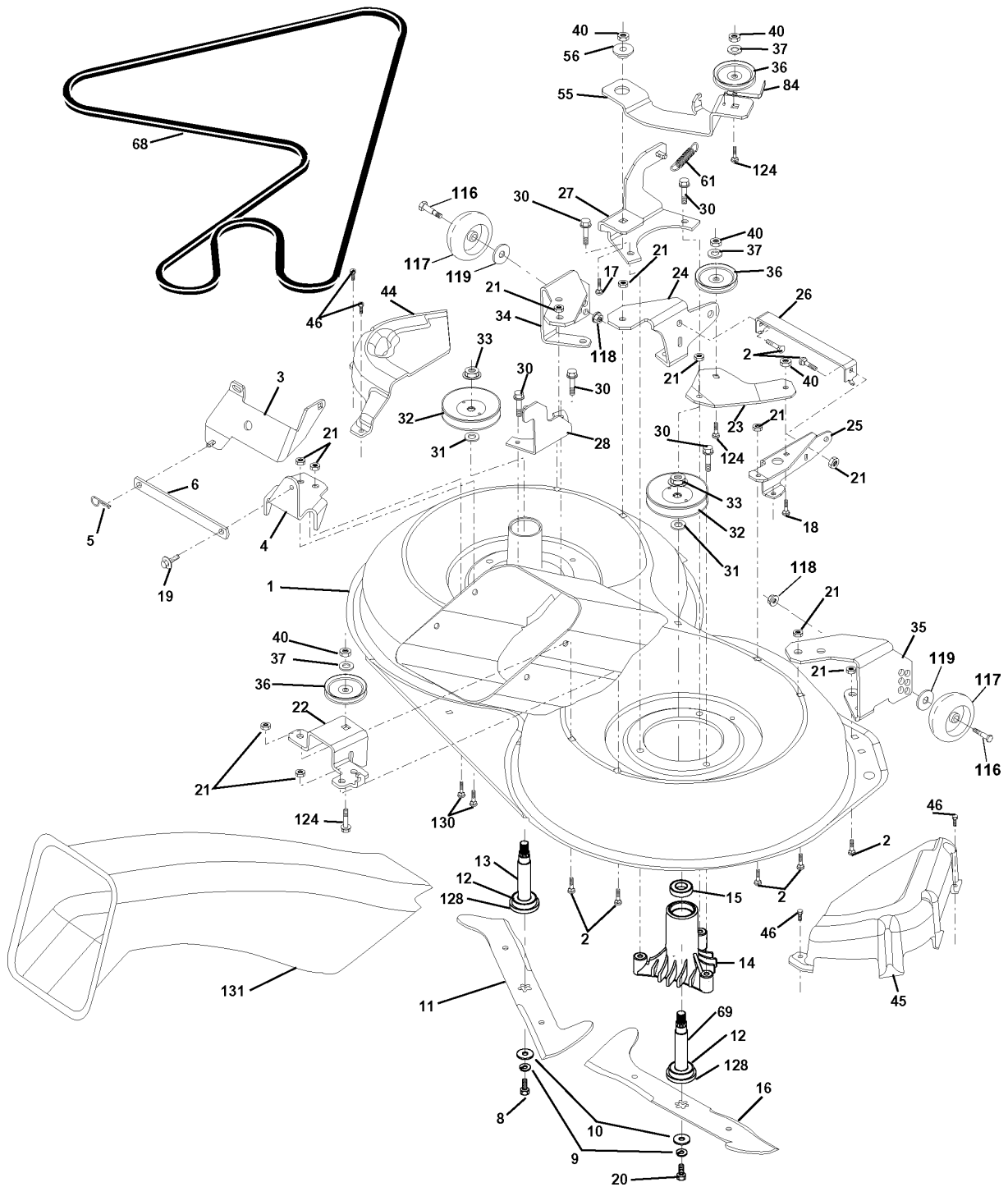
TRACTOR- -MODEL NO. ICT13 (JICT13A) PRODUCT NO. 954 13 00-29
MOWER LIFT



Referenz	Teile Nr	Beschreibung	Bemerkung:	ANZ KIT
1	532 15 94-60	KABEL		1
2	532 15 94-71	HEBEL		1
3	532 10 57-67	PIN RETAINING SCREW		1
4	812 00 00-02	RETAINING RING		1
5	819 21 16-21	SCHEIBE		1
6	532 12 01-83	LAGER		1
7	532 12 56-31	EINSTELLHEBEL		1
8	532 12 23-65	STOPFEN		1
11	532 16 58-29	STANGE		1
12	532 16 58-31	STANGE		1
13	532 12 46-70	RETAINING RING		1
15	532 12 72-18	GELENK		1
16	873 35 08-00	MUTTER		1
17	532 13 01-71	HALTER		1
18	873 68 08-00	MUTTER		1
19	532 13 98-68	HEBEL		1
20	532 16 35-52	KLAMMER		1
23	532 11 08-07	MUTTER		1
24	819 13 10-16	SCHEIBE		1
25	532 12 48-74	FEDER		1
26	876 02 03-08	SPANNHÜLSE		1
27	532 12 69-71	HEBEL		1
28	873 35 06-00	MUTTER		1
29	532 13 80-57	KNOPF		1
30	532 15 02-33	TRUNNION		1
31	532 14 03-02	LAGER		1
32	873 54 06-00	MUTTER		1
36	532 15 50-97	INDIKATOR		1
37	532 12 39-35	STOPFEN		1
38	817 49 05-12	SCHRAUBE		1
40	819 11 24-10	SCHEIBE		1
41	532 12 39-34	INDIKATOR		1
49	532 14 52-12	MUTTER		1
50	532 11 04-52	MUTTER		1

REPAIR PARTS

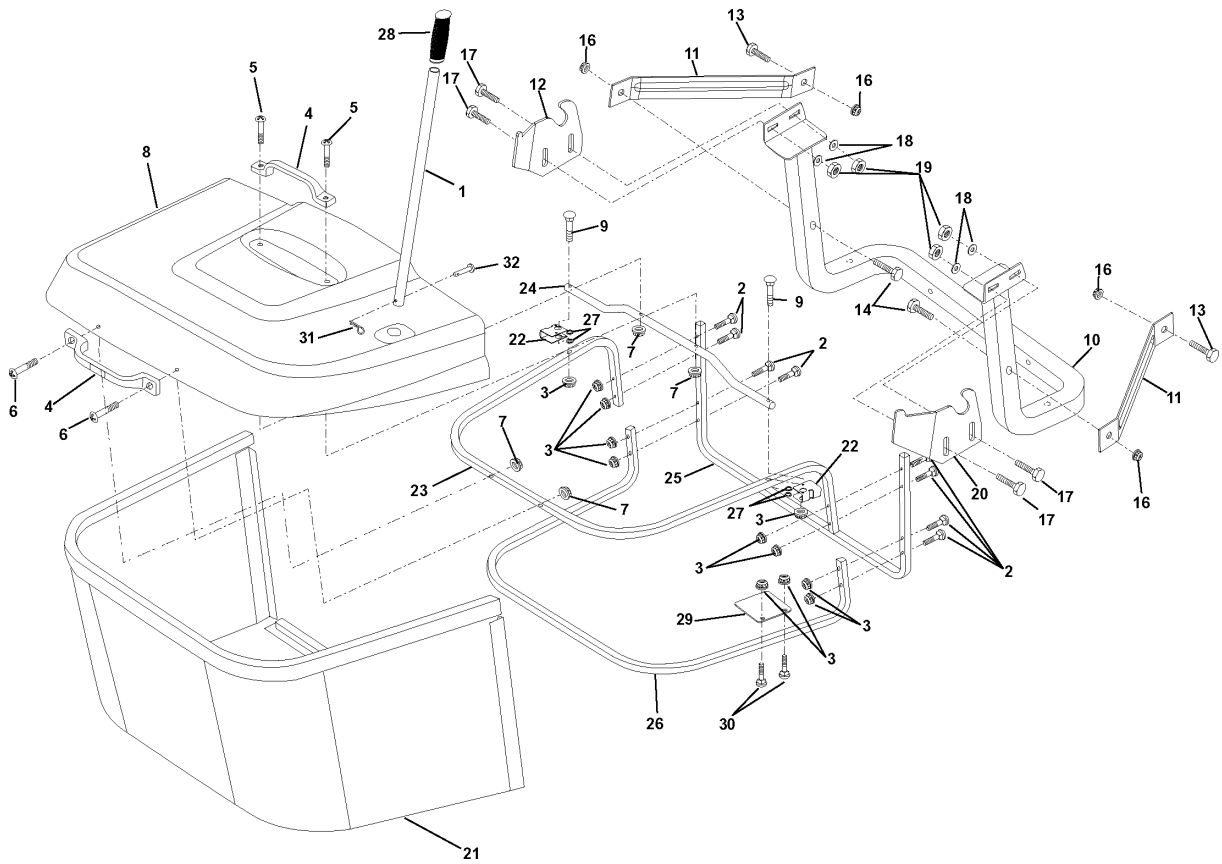
TRACTOR- -MODEL NO. ICT13 (JICT13A) PRODUCT NO. 954 13 00-29
MOWER



Referenz	Teile Nr	Beschreibung	Bemerkung:	ANZ KIT
1	532 16 55-52	GEHÄUSE		1
2	872 14 05-06	BOLZEN		1
3	532 16 55-69	HALTER		1
4	532 16 55-58	HALTER		1
5	532 12 46-70	RETAINING RING		1
6	532 16 55-57	STANGE		1
8	532 85 08-57	BOLZEN		1
9	810 03 06-00	SCHEIBE		1
10	532 14 02-96	SCHEIBE		1
11	532 16 55-60	MESSER		1
12	532 12 98-95	LAGER		1
13	532 13 76-45	WELLE		1
14	532 12 87-74	LAGERGEHÄUSE		1
15	532 11 04-85	LAGER		1
16	532 16 55-61	MESSER		1
17	872 14 06-10	BOLZEN		1
18	872 11 06-08	BOLZEN		1
19	532 13 28-27	SPEC. BOLT		1
20	532 16 54-84	BOLZEN		1
21	873 68 05-00	MUTTER		1
22	532 16 52-43	HALTER		1
23	532 16 54-46	PLATTE		1
24	532 16 52-42	HALTER		1
25	532 16 52-44	HALTER		1
26	532 16 52-37	STANGE		1
27	532 16 55-68	HALTER		1
28	532 16 55-67	HALTER		1
30	532 15 77-22	SCHRAUBE		1
31	532 12 99-63	SCHEIBE		1
32	532 15 35-31	RIEMENSCHLEIFE		1
33	532 13 72-66	MUTTER		1
34	532 16 52-39	HALTER		1
35	532 16 52-38	HALTER		1
36	532 14 67-63	RIEMENSCHLEIFE		1
37	819 13 13-16	SCHEIBE		1
40	873 68 06-00	MUTTER		1
44	532 16 57-24	PROTECTOR		1
45	532 16 55-56	PROTECTOR		1
46	532 13 77-29	SCHRAUBE		1
55	532 16 54-45	HEBEL		1
56	532 12 20-52	ABSTANDSSCHLEIFE		1
61	532 16 59-45	FEDER		1
68	532 16 55-55	RIEMEN		1
69	532 16 54-82	WELLE		1
84	532 15 60-85	RIEMENFÜHRUNG		1
116	532 13 76-44	SCHRAUBE		1
117	532 13 39-57	LAUFRAD		1
118	873 93 06-00	MUTTER		1
119	819 12 14-14	SCHEIBE		1
124	872 11 06-12	BOLZEN		1
128	532 15 33-90	DICHTUNG		1
130	872 11 05-06	BOLZEN		1
131	532 16 56-61	ROHR		1
--	532 13 07-94	DORN		1
--	532 16 55-79	SPINDEL		1
--	532 16 55-78	GEHÄUSE		1

REPAIR PARTS

TRACTOR- -MODEL NO. ICT13 (JICT13A) PRODUCT NO. 954 13 00-29
BAGGER



Referenz	Teile Nr	Beschreibung	Bemerkung:	ANZ KIT
1	532 16 52-49	STANGE		1
2	872 14 04-16	BOLZEN		1
3	532 12 39-76	LOCKNUT		1
4	532 16 56-93	EINSTELLHEBEL		1
5	874 98 10-24	SCHRAUBE		1
6	874 98 10-32	SCHRAUBE		1
7	873 40 10-00	MUTTER		1
8	532 16 88-71	DECKEL		1
9	872 14 04-18	BOLZEN		1
10	532 16 57-16	STANGE		1
11	532 16 57-19	STANGE		1
12	532 16 57-35	HALTER		1
13	872 11 06-06	BOLZEN		1
14	874 52 06-40	BOLZEN		1
16	873 90 06-00	MUTTER		1
17	872 14 05-06	BOLZEN		1
18	819 11 20-16	SCHEIBE		1
19	873 80 05-00	LOCK NUT		1
20	532 16 57-36	HALTER		1
21	532 16 57-80	TASCHE		1
22	532 16 57-81	KLEMME		1
23	532 16 57-82	RAHMEN		1
24	532 16 57-83	RAHMEN		1
25	532 16 57-84	RAHMEN		1
26	532 16 57-85	RAHMEN		1
27	532 16 57-86	DICHTUNG		1
28	532 16 57-87	EINSTELLHEBEL		1
29	532 16 58-39	STOPP		1
30	872 14 04-10	BOLZEN		1
31	532 12 47-88	RETAINING RING		1
32	532 12 68-75	NIETE		1