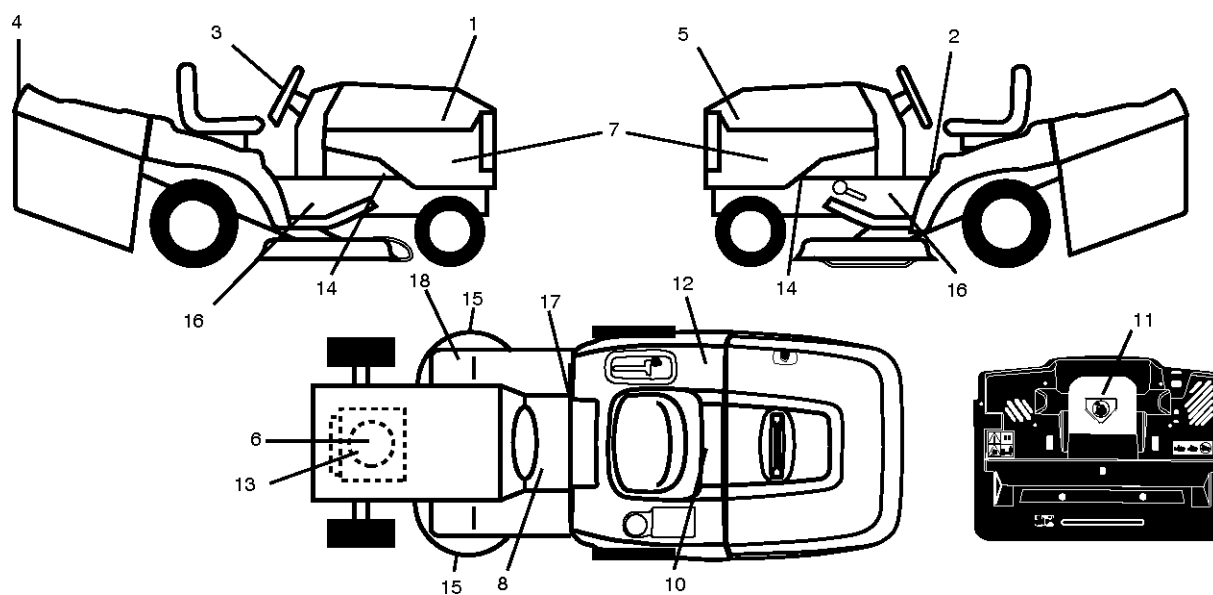




SPARE PARTS LIST

TRACTORS/RIDE MOWERS

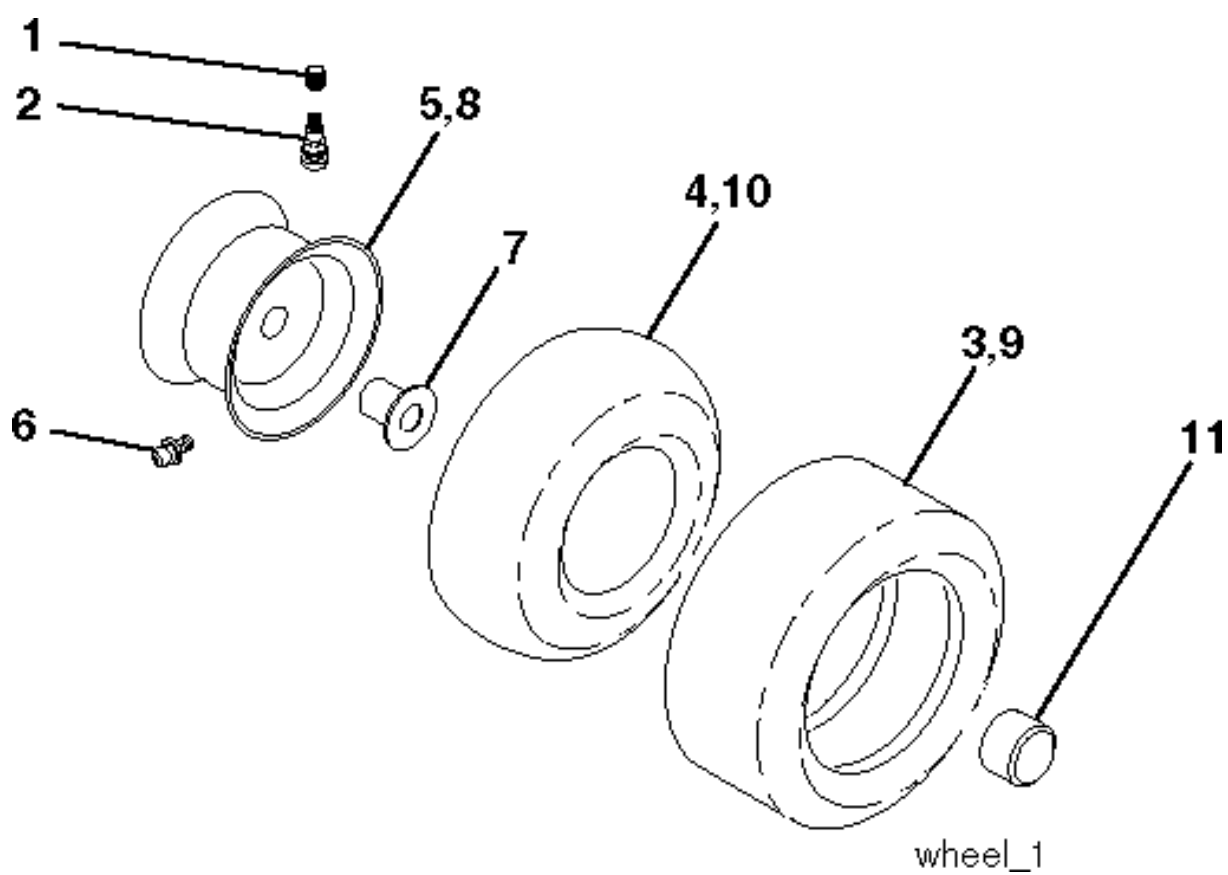
P13592RB, 96061017302, 2008-08



AUFKLEBER

P13592RB, 96061017302, 2008-08

| Referenz | Teile Nr | Beschreibung | Bemerkung: | ANZ KIT |
|----------|--------------|-------------------|------------|---------|
| 1 | 532 40 81-44 | AUFKLEBER | | 1 |
| 2 | 532 40 03-89 | AUFKLEBER | | 1 |
| 3 | 532 40 81-43 | AUFKLEBER | | 1 |
| 4 | 532 40 81-57 | Folie | | 1 |
| 5 | 532 40 81-46 | AUFKLEBER | | 1 |
| 6 | 532 19 68-41 | Folie | | 1 |
| 7 | 532 40 81-58 | Folie | | 1 |
| 8 | 532 15 97-37 | Folie | | 1 |
| 10 | 532 14 50-05 | Folie | | 1 |
| 11 | 532 18 21-66 | Folie | | 1 |
| 12 | 532 18 04-32 | Folie | | 1 |
| 13 | 532 40 88-15 | AUFKLEBER | | 1 |
| 14 | 532 15 97-36 | Folie | | 1 |
| 15 | 532 19 68-42 | Folie | | 1 |
| 16 | 532 18 56-51 | Folie | | 1 |
| 17 | 532 14 08-37 | Folie | | 1 |
| 18 | 532 16 62-86 | Folie | | 1 |
| -- | 532 13 83-11 | Folie | | 1 |
| -- | 532 18 10-91 | PLATTE | | 1 |
| -- | 532 18 10-90 | PLATTE | | 1 |
| -- | 532 41 08-91 | OPERATOR'S MANUAL | (Euro) | 1 |
| -- | 532 41 09-51 | OPERATOR'S MANUAL | (Scan) | 1 |
| -- | 532 41 09-52 | OPERATOR'S MANUAL | (E-Bloc) | 1 |
| -- | 532 41 09-54 | OPERATOR'S MANUAL | (Baltic) | 1 |

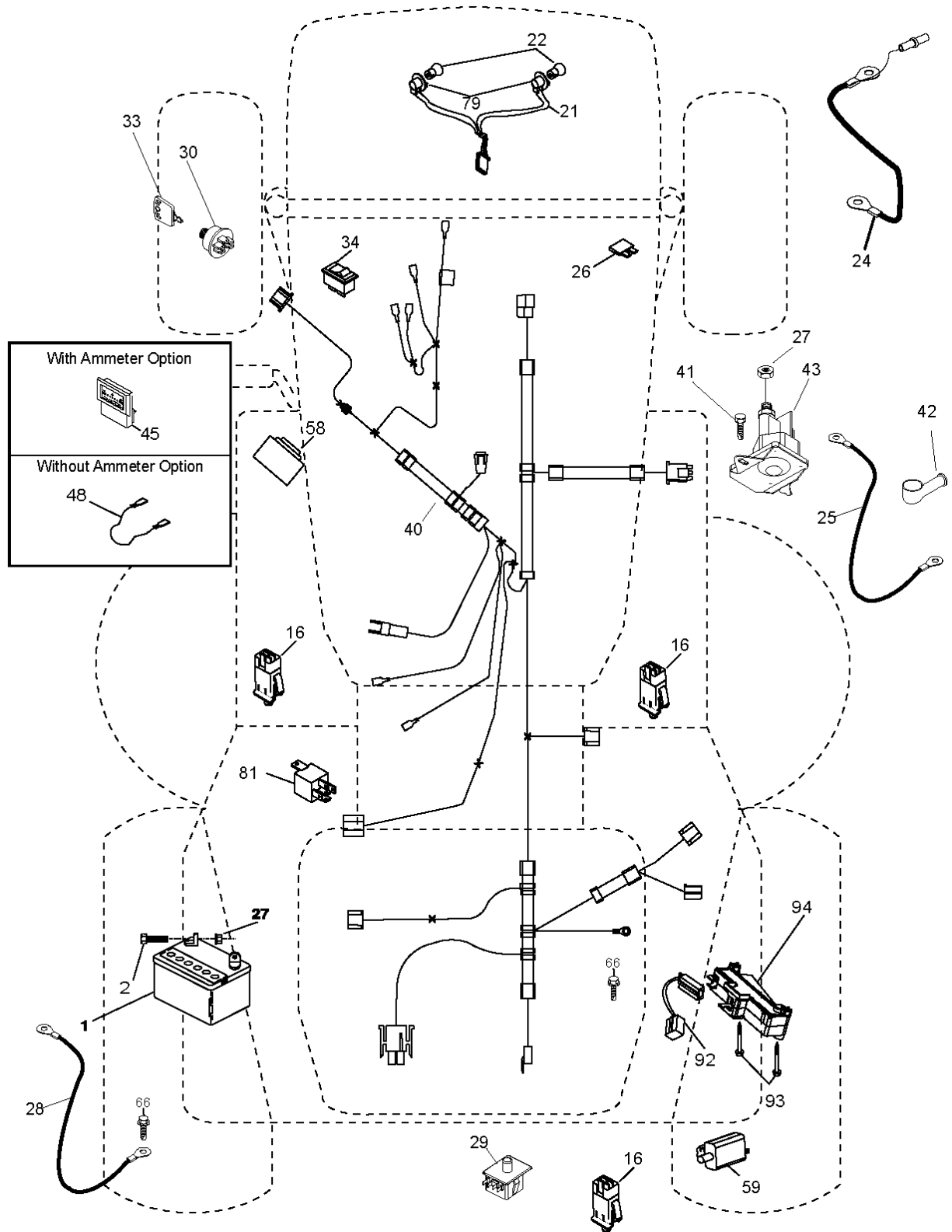


RÄDER & REIFEN

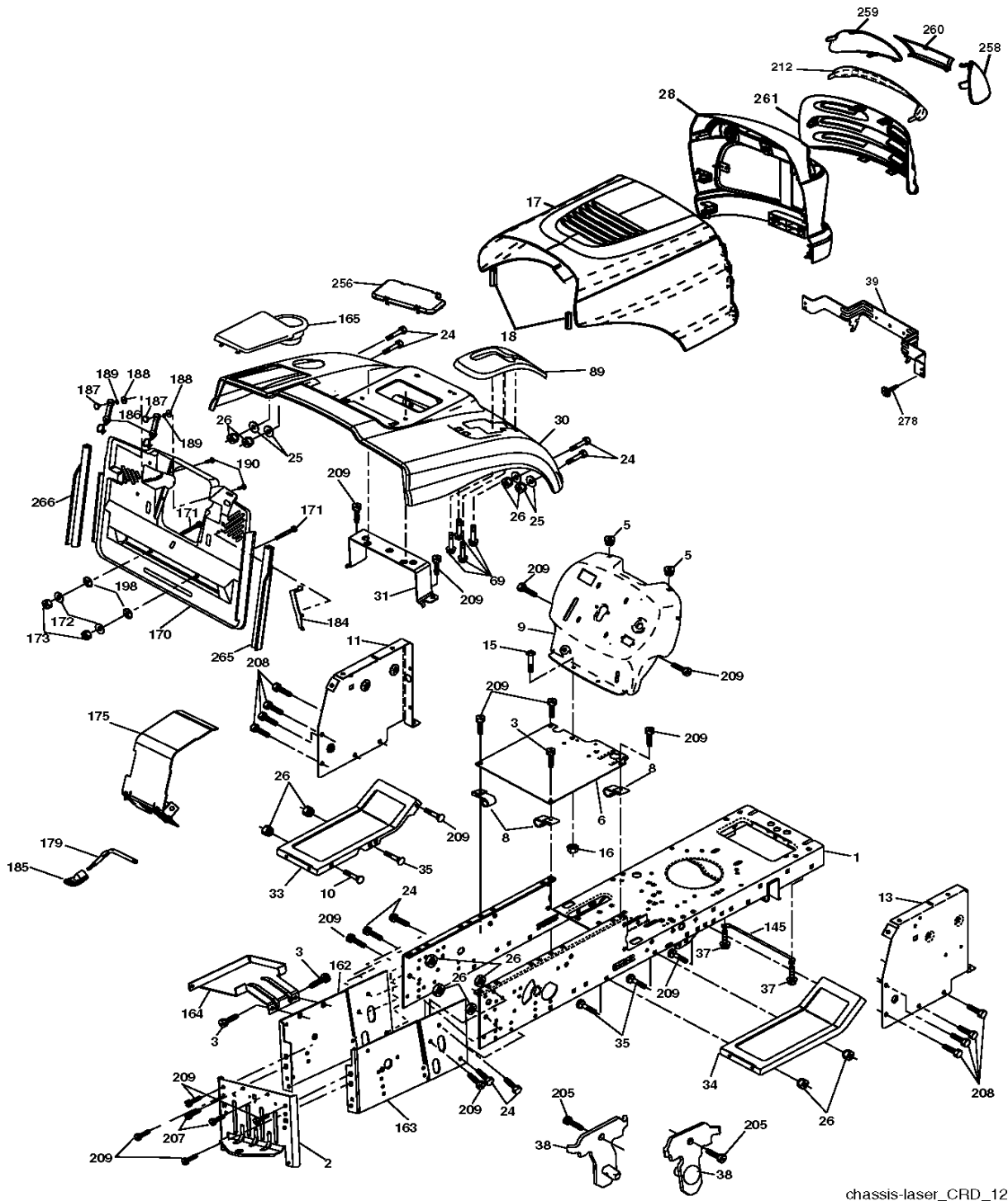
P13592RB, 96061017302, 2008-08

| Referenz | Teile Nr | Beschreibung | Bemerkung: | ANZ KIT |
|----------|--------------|--------------|------------|---------|
| 1 | 532 05 91-92 | CAP VALVE | | 1 |
| 2 | 532 06 51-39 | NIPPEL | | 1 |
| 3 | 532 10 62-22 | REIFEN | | 1 |
| 4 | 532 05 99-04 | SCHLAUCH | | 1 |
| 5 | 532 12 51-21 | RIM, 6" | | 1 |
| 6 | 532 12 49-57 | NIPPEL | | 1 |
| 7 | 532 12 49-59 | LAGER | | 1 |
| 8 | 532 12 51-22 | RIM, 8" | | 1 |
| 9 | 532 13 84-68 | REIFEN | | 1 |
| 10 | 532 12 49-26 | SCHLAUCH | | 1 |
| 11 | 532 17 50-39 | RADKAPPE | | 1 |
| -- | 532 14 43-34 | SEALING FOAM | | 1 |

C01

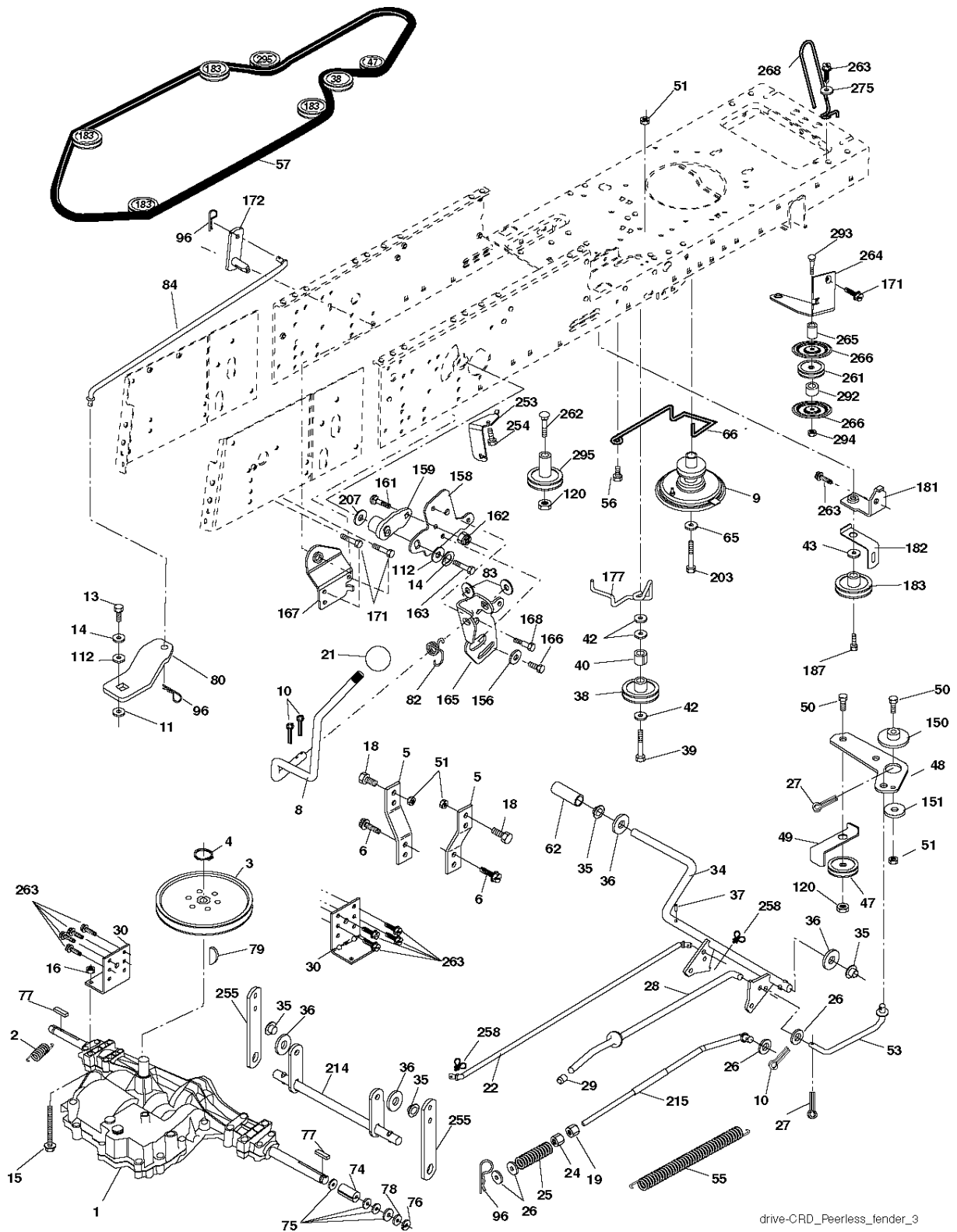


| Referenz | Teile Nr | Beschreibung | Bemerkung: | ANZ KIT |
|----------|--------------|------------------------|------------|---------|
| 1 | 532 16 34-65 | BATTERIE | | 1 |
| 2 | 874 76 04-12 | BOLZEN | | 1 |
| 16 | 532 17 61-38 | SWITCH INTERLOCK | | 1 |
| 21 | 532 18 37-59 | TRAGEGURT | | 1 |
| 22 | 532 00 41-52 | LAMPE | | 1 |
| 24 | 532 12 47-80 | KABEL | | 1 |
| 25 | 532 16 59-87 | KABEL | | 1 |
| 26 | 532 17 51-58 | SICHERUNG | | 1 |
| 27 | 873 51 04-00 | MUTTER | | 1 |
| 28 | 532 12 77-25 | KABEL | | 1 |
| 29 | 532 19 27-49 | SWITCH.SEAT.DP W/RAMPS | | 1 |
| 30 | 532 19 33-50 | ELEKTRONIKMODUL | | 1 |
| 33 | 532 41 19-35 | TASTE | | 1 |
| 34 | 532 11 07-12 | SCHALTER | | 1 |
| 40 | 532 19 74-36 | KABELSATZ | | 1 |
| 41 | 871 11 04-08 | BOLZEN | | 1 |
| 42 | 532 13 15-63 | DECKEL | | 1 |
| 43 | 532 19 25-07 | ELEKTROMAGNET | | 1 |
| 48 | 532 14 08-44 | ADAPTER | | 1 |
| 58 | 532 16 94-19 | SUMMER | | 1 |
| 59 | 532 18 03-79 | SWITCH FBI | | 1 |
| 66 | 817 49 06-08 | SCHRAUBE | | 1 |
| 79 | 532 17 52-42 | HOLDER | | 1 |
| 81 | 532 10 97-48 | RELAIS | | 1 |
| 92 | 532 19 66-15 | KABELSATZ | | 1 |
| 93 | 532 19 25-40 | SCHRAUBE | | 1 |
| 94 | 532 19 18-34 | MODULE.REVERSE.ROS | | 1 |



chassis-laser_CRD_12

| Referenz | Teile Nr | Beschreibung | Bemerkung: | ANZ KIT |
|----------|--------------|---------------|------------|---------|
| 1 | 532 17 46-20 | RAHMEN | | 1 |
| 2 | 532 18 03-84 | DRAWBAR | | 1 |
| 3 | 817 06 06-12 | SCHRAUBE | | 1 |
| 5 | 532 15 52-72 | DÄMPFER | | 1 |
| 6 | 532 18 44-19 | PLATTE | | 1 |
| 8 | 532 12 64-71 | KLAMMER | | 1 |
| 9 | 532 19 46-88 | SCHALTBRETT | | 1 |
| 10 | 872 14 06-08 | BOLZEN | | 1 |
| 11 | 532 17 49-96 | PLATTE | | 1 |
| 13 | 532 18 17-19 | PLATTE | | 1 |
| 15 | 874 18 05-12 | SCHRAUBE | | 1 |
| 16 | 873 51 05-00 | MUTTER | | 1 |
| 17 | 532 18 27-16 | HAUBE | | 1 |
| 18 | 532 18 49-21 | STOSSFÄNGER | | 1 |
| 24 | 874 78 06-16 | BOLZEN | | 1 |
| 25 | 819 13 13-12 | SCHEIBE | | 1 |
| 26 | 873 80 06-00 | MUTTER | | 1 |
| 28 | 532 40 83-00 | ABDECKUNG | | 1 |
| 30 | 532 19 73-64 | RADABDECKUNG | | 1 |
| 31 | 532 16 51-56 | HALTER | | 1 |
| 33 | 532 18 25-07 | FOOT REST, LH | | 1 |
| 34 | 532 18 25-08 | FOOT REST, RH | | 1 |
| 35 | 872 11 06-06 | BOLZEN | | 1 |
| 37 | 817 49 05-08 | SCHRAUBE | | 1 |
| 38 | 532 18 17-48 | HALTER | | 1 |
| 39 | 532 40 78-07 | HALTER | | 1 |
| 69 | 532 14 24-32 | SCHRAUBE | | 1 |
| 89 | 532 19 73-39 | BEFESTIGUNG | | 1 |
| 145 | 532 40 91-67 | STANGE | | 1 |
| 162 | 532 18 03-82 | HALTER | | 1 |
| 163 | 532 18 03-83 | HALTER | | 1 |
| 164 | 532 16 56-05 | STÜTZE | | 1 |
| 165 | 532 18 13-56 | DECKEL | | 1 |
| 170 | 532 19 94-88 | DECKEL | | 1 |
| 171 | 872 14 06-20 | BOLZEN | | 1 |
| 172 | 819 13 20-16 | SCHEIBE | | 1 |
| 173 | 873 51 06-00 | MUTTER | | 1 |
| 175 | 532 18 82-03 | DOOR TRAP | | 1 |
| 179 | 532 18 82-02 | ROD PIVOT FBI | | 1 |
| 184 | 532 17 46-62 | HALTER | | 1 |
| 185 | 532 18 11-01 | KNOPF | | 1 |
| 186 | 532 16 07-93 | SPERRHAKEN | | 1 |
| 187 | 532 12 50-04 | MUTTER | | 1 |
| 188 | 819 06 12-16 | SCHEIBE | | 1 |
| 189 | 810 07 10-00 | SCHEIBE | | 1 |
| 190 | 871 08 10-10 | SCHRAUBE | | 1 |
| 198 | 532 16 89-37 | SCHEIBE | | 1 |
| 205 | 817 49 06-08 | SCHRAUBE | | 1 |
| 207 | 817 67 05-08 | SCHRAUBE | | 1 |
| 208 | 817 67 06-08 | SCHRAUBE | | 1 |
| 209 | 817 00 06-12 | SCHRAUBE | | 1 |
| 212 | 532 18 42-48 | EINSATZ | | 1 |
| 256 | 532 18 13-61 | DECKEL | | 1 |
| 258 | 532 19 05-07 | LINSE | | 1 |
| 259 | 532 19 05-08 | LINSE | | 1 |
| 260 | 532 40 83-82 | DECKEL | | 1 |
| 261 | 532 40 83-95 | DECKEL | | 1 |
| 265 | 532 18 57-04 | DICHTUNG | | 1 |
| 266 | 532 18 57-03 | DICHTUNG | | 1 |
| 278 | 532 19 16-11 | SCHRAUBE | | 1 |
| -- | 532 00 54-79 | STOPFEN | | 1 |



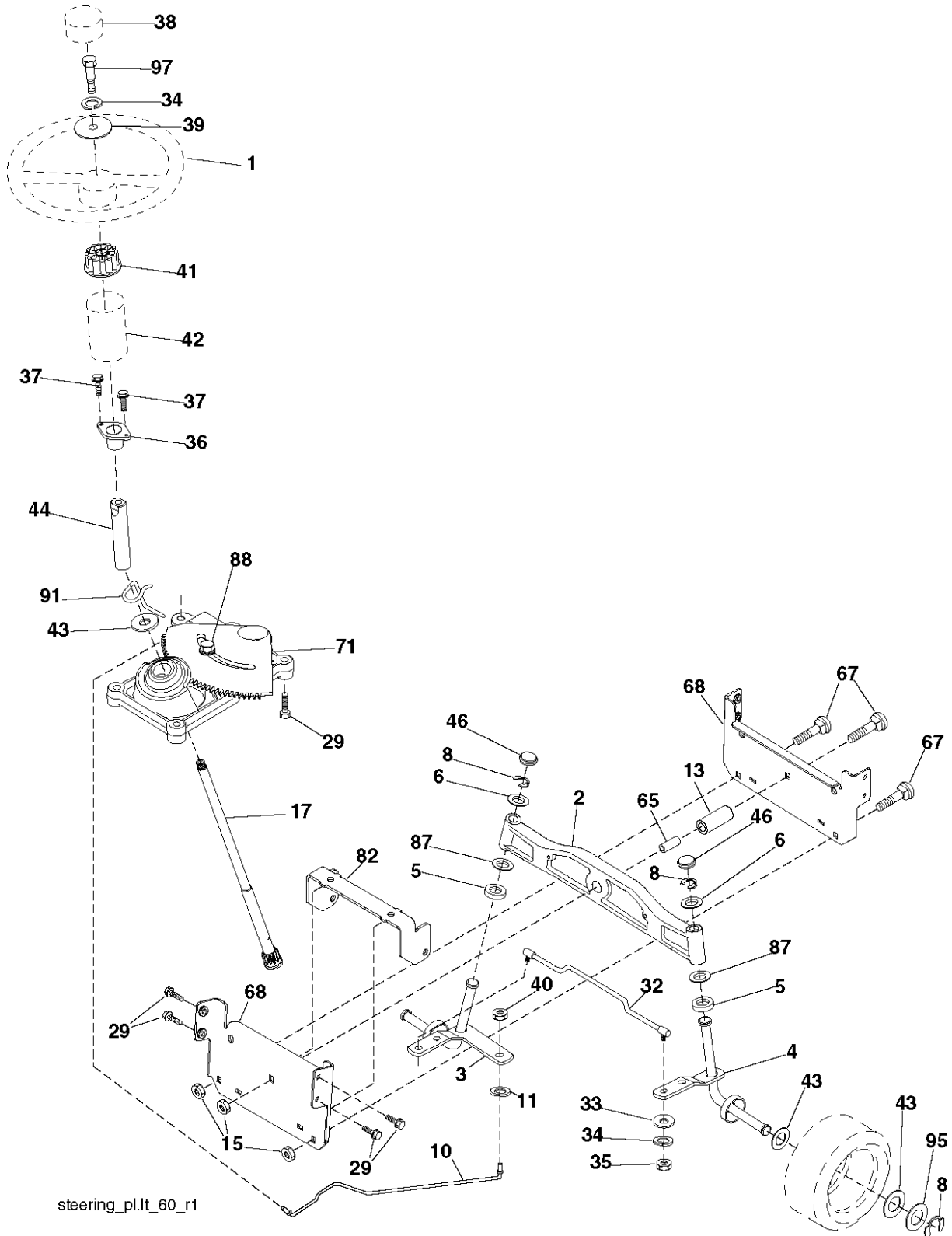
drive-CRD_Peerless_tender_3

ANTRIEB

P13592RB, 96061017302, 2008-08

| Referenz | Teile Nr | Beschreibung | Bemerkung: | ANZ KIT |
|----------|--------------|------------------------|------------|---------|
| 2 | 532 14 66-82 | FEDER | | 1 |
| 3 | 532 16 59-99 | RIEMENSCHLEIBE | | 1 |
| 4 | 812 00 00-28 | KLAMMER | | 1 |
| 5 | 532 12 15-20 | HALTER | | 1 |
| 6 | 817 06 05-12 | SCHRAUBE | | 1 |
| 8 | 532 19 27-06 | HEBEL | | 1 |
| 9 | 532 40 85-79 | KUPPLUNG | | 1 |
| 10 | 876 02 04-16 | SPANNHÜLSE | | 1 |
| 11 | 532 10 57-01 | SCHEIBE | | 1 |
| 13 | 874 55 04-12 | BOLZEN | | 1 |
| 14 | 810 04 04-00 | SCHEIBE | | 1 |
| 15 | 874 49 05-44 | SCHRAUBE | | 1 |
| 16 | 873 80 05-00 | LOCK NUT | | 1 |
| 18 | 874 78 06-16 | BOLZEN | | 1 |
| 19 | 873 80 06-00 | MUTTER | | 1 |
| 21 | 532 10 69-33 | KNOPF | | 1 |
| 22 | 532 17 56-07 | STANGE | | 1 |
| 24 | 873 35 06-00 | MUTTER | | 1 |
| 25 | 532 10 68-88 | FEDER | | 1 |
| 26 | 819 13 13-16 | SCHEIBE | | 1 |
| 27 | 876 02 04-12 | SPANNHÜLSE | | 1 |
| 28 | 532 17 57-65 | WELLE | | 1 |
| 29 | 532 07 16-73 | DECKEL | | 1 |
| 30 | 532 16 95-92 | HALTER | | 1 |
| 34 | 532 17 55-78 | WELLE | | 1 |
| 35 | 532 12 01-83 | LAGER | | 1 |
| 36 | 819 21 16-16 | SCHEIBE | | 1 |
| 37 | 532 12 49-63 | PIN RETAINING SCREW | | 1 |
| 38 | 532 16 59-36 | RIEMENSCHLEIBE | | 1 |
| 39 | 874 76 06-44 | BOLZEN | | 1 |
| 40 | 532 12 49-65 | ABSTANDSSCHLEIBE | | 1 |
| 42 | 819 13 13-12 | SCHEIBE | | 1 |
| 43 | 819 11 10-12 | SCHEIBE | | 1 |
| 47 | 532 12 77-83 | RIEMENSCHLEIBE | | 1 |
| 48 | 532 15 44-07 | FÜHRUNG | | 1 |
| 49 | 532 12 32-05 | RIEMENFÜHRUNG | | 1 |
| 50 | 872 11 06-12 | BOLZEN | | 1 |
| 51 | 873 68 06-00 | MUTTER | | 1 |
| 53 | 532 19 96-52 | TIGE DE TENSION POULIE | | 1 |
| 55 | 532 10 57-09 | FEDER | | 1 |
| 56 | 817 06 06-20 | SCHRAUBE | | 1 |
| 57 | 532 40 50-75 | RIEMEN | | 1 |
| 62 | 532 12 48-72 | PEDAL RUBBER | | 1 |
| 65 | 810 04 07-00 | SCHEIBE | | 1 |
| 66 | 532 15 47-78 | SPANNER | | 1 |
| 75 | 532 12 17-49 | SCHEIBE | | 1 |
| 76 | 812 00 00-01 | SPRENGRING | | 1 |
| 77 | 532 12 35-83 | TASTE | | 1 |
| 78 | 532 12 17-48 | SCHEIBE | | 1 |
| 79 | 532 12 50-96 | SCHEIBENFEDER | | 1 |
| 80 | 532 14 50-90 | HEBEL | | 1 |
| 82 | 532 16 57-11 | FEDER | | 1 |
| 83 | 819 17 12-16 | SCHEIBE | | 1 |
| 84 | 532 40 76-03 | GELENK | | 1 |
| 96 | 532 12 47-88 | RETAINING RING | | 1 |
| 112 | 819 09 12-10 | SCHEIBE | | 1 |
| 120 | 873 90 06-00 | MUTTER | | 1 |
| 150 | 532 16 58-50 | BUSHING | | 1 |
| 151 | 819 13 32-10 | SCHEIBE | | 1 |
| 156 | 532 16 60-02 | SCHEIBE | | 1 |
| 158 | 532 16 55-89 | HALTER | | 1 |
| 159 | 532 18 39-00 | HEBEL | | 1 |
| 161 | 872 14 04-06 | BOLZEN | | 1 |
| 162 | 873 68 04-00 | MUTTER | | 1 |

| Referenz | Teile Nr | Beschreibung | Bemerkung: | ANZ KIT |
|----------|--------------|------------------|------------|---------|
| 163 | 874 78 04-16 | BOLZEN | | 1 |
| 165 | 532 16 56-23 | HALTER | | 1 |
| 166 | 817 49 05-10 | SCHRAUBE | | 1 |
| 167 | 532 16 55-88 | HALTER | | 1 |
| 168 | 532 16 54-92 | BOLZEN | | 1 |
| 171 | 817 49 06-08 | SCHRAUBE | | 1 |
| 172 | 532 40 76-05 | WELLE | | 1 |
| 177 | 532 16 59-32 | HOLDER | | 1 |
| 181 | 532 18 02-11 | HALTER | | 1 |
| 182 | 532 18 26-82 | RIEMENFÜHRUNG | | 1 |
| 183 | 532 19 95-32 | RIEMENSCHLEIBE | | 1 |
| 187 | 817 58 05-20 | BOLZEN | | 1 |
| 203 | 871 17 07-80 | BOLZEN | | 1 |
| 207 | 532 16 98-45 | SCHLEIBE | | 1 |
| 214 | 532 17 56-09 | HEBEL | | 1 |
| 215 | 532 41 01-42 | STANGE | | 1 |
| 253 | 532 17 50-28 | HALTER | | 1 |
| 254 | 817 00 06-16 | SCHRAUBE | | 1 |
| 255 | 532 17 56-08 | WELLE | | 1 |
| 258 | 532 17 80-62 | KLAMMER | | 1 |
| 261 | 532 13 14-94 | RIEMENSCHLEIBE | | 1 |
| 262 | 872 11 06-22 | BOLZEN | | 1 |
| 263 | 817 00 06-12 | SCHRAUBE | | 1 |
| 264 | 532 19 76-08 | HALTER | | 1 |
| 265 | 532 40 46-07 | ABSTANDSSCHLEIBE | | 1 |
| 266 | 532 18 20-61 | PROTECTOR | | 1 |
| 268 | 532 18 24-02 | PROTECTOR | | 1 |
| 275 | 819 13 16-14 | SCHLEIBE | | 1 |
| 292 | 532 40 02-71 | ABSTANDSSCHLEIBE | | 1 |
| 293 | 872 14 06-28 | BOLZEN | | 1 |
| 294 | 532 19 70-33 | MUTTER | | 1 |
| 295 | 532 17 91-14 | RIEMENSCHLEIBE | | 1 |

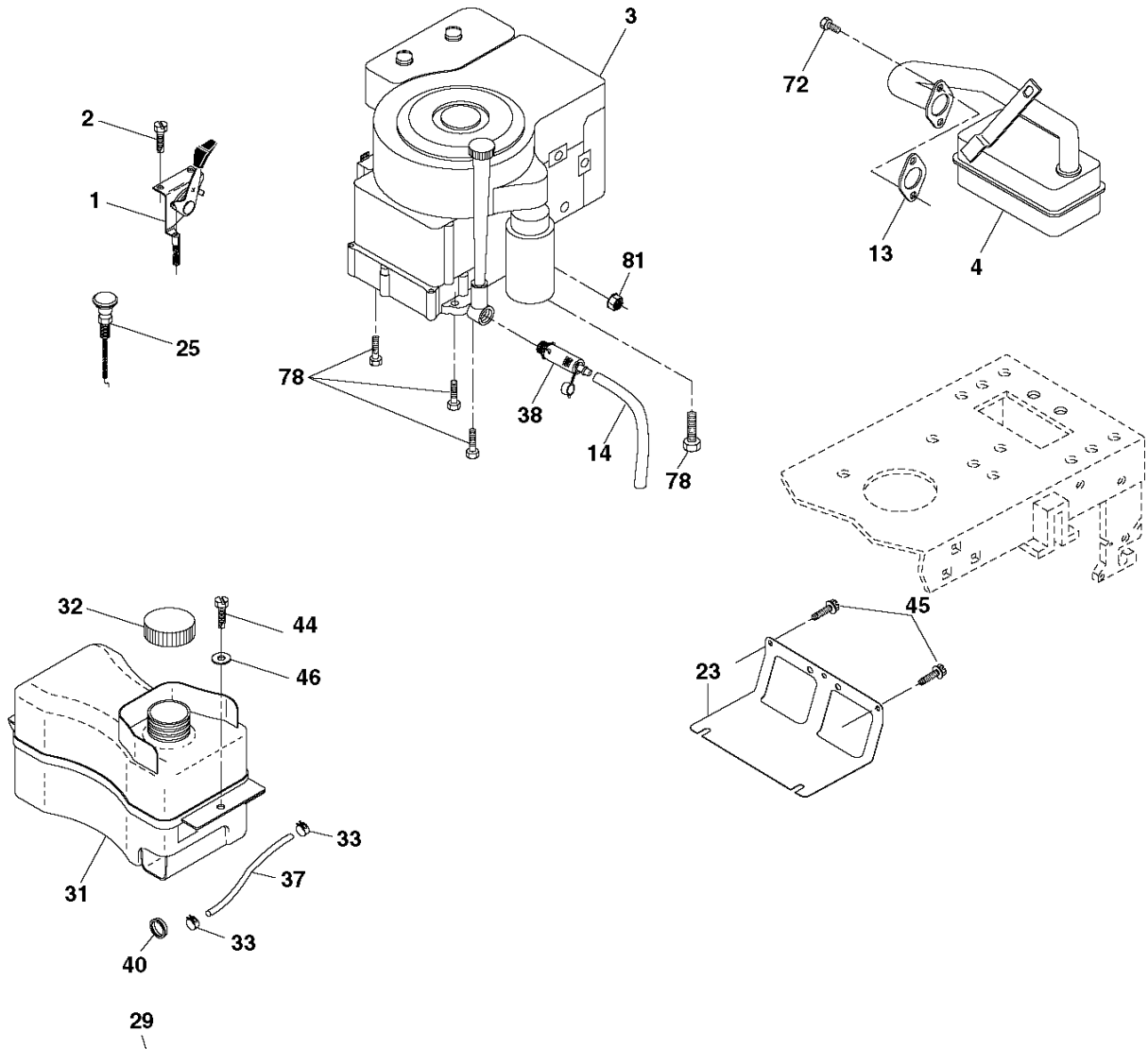


steering_pl.lt_60_r1

LENKUNG

P13592RB, 96061017302, 2008-08

| Referenz | Teile Nr | Beschreibung | Bemerkung: | ANZ KIT |
|----------|--------------|----------------------|------------|---------|
| 1 | 532 18 67-80 | LENKRAD | | 1 |
| 2 | 532 18 47-06 | WELLE | | 1 |
| 3 | 532 16 98-40 | SPINDEL | | 1 |
| 4 | 532 16 98-39 | SPINDEL | | 1 |
| 5 | 532 12 49-31 | SCHEIBE | | 1 |
| 6 | 532 12 17-48 | SCHEIBE | | 1 |
| 8 | 812 00 00-29 | SPRENGRING | | 1 |
| 10 | 532 17 51-21 | STANGE | | 1 |
| 11 | 810 04 06-00 | SCHEIBE | | 1 |
| 13 | 532 13 65-18 | ROHR | | 1 |
| 15 | 532 14 52-12 | MUTTER | | 1 |
| 17 | 532 19 07-53 | STANGE | | 1 |
| 29 | 817 00 06-12 | SCHRAUBE | | 1 |
| 32 | 532 17 01-62 | STANGE | | 1 |
| 33 | 819 11 12-16 | SCHEIBE | | 1 |
| 34 | 810 04 05-00 | SCHEIBE | | 1 |
| 35 | 873 54 05-00 | MUTTER | | 1 |
| 36 | 532 15 50-99 | BUSHING | | 1 |
| 37 | 532 15 29-27 | SCHRAUBE | | 1 |
| 38 | 532 19 29-16 | INSERT DE VOLANT | | 1 |
| 39 | 819 11 38-12 | SCHEIBE | | 1 |
| 40 | 876 54 06-00 | MUTTER | | 1 |
| 41 | 532 18 67-37 | ADAPTER | | 1 |
| 42 | 532 16 96-33 | HÜLSE | | 1 |
| 43 | 532 12 17-49 | SCHEIBE | | 1 |
| 44 | 532 19 07-52 | WELLE | | 1 |
| 46 | 532 12 12-32 | RADKAPPE | | 1 |
| 65 | 532 41 47-36 | ABSTANDSSCHEIBE | | 1 |
| 67 | 872 11 06-18 | BOLZEN | | 1 |
| 68 | 532 16 98-27 | WELLE | | 1 |
| 71 | 532 17 51-46 | STEERING GEAR | | 1 |
| 82 | 532 19 99-78 | SUPPORT ESSIEU AVANT | | 1 |
| 87 | 532 17 39-66 | SCHEIBE | | 1 |
| 88 | 532 17 51-18 | BOLZEN | | 1 |
| 91 | 532 17 55-53 | FEDER | | 1 |
| 95 | 532 18 89-67 | SCHEIBE | | 1 |
| 97 | 874 78 05-64 | BOLZEN | | 1 |

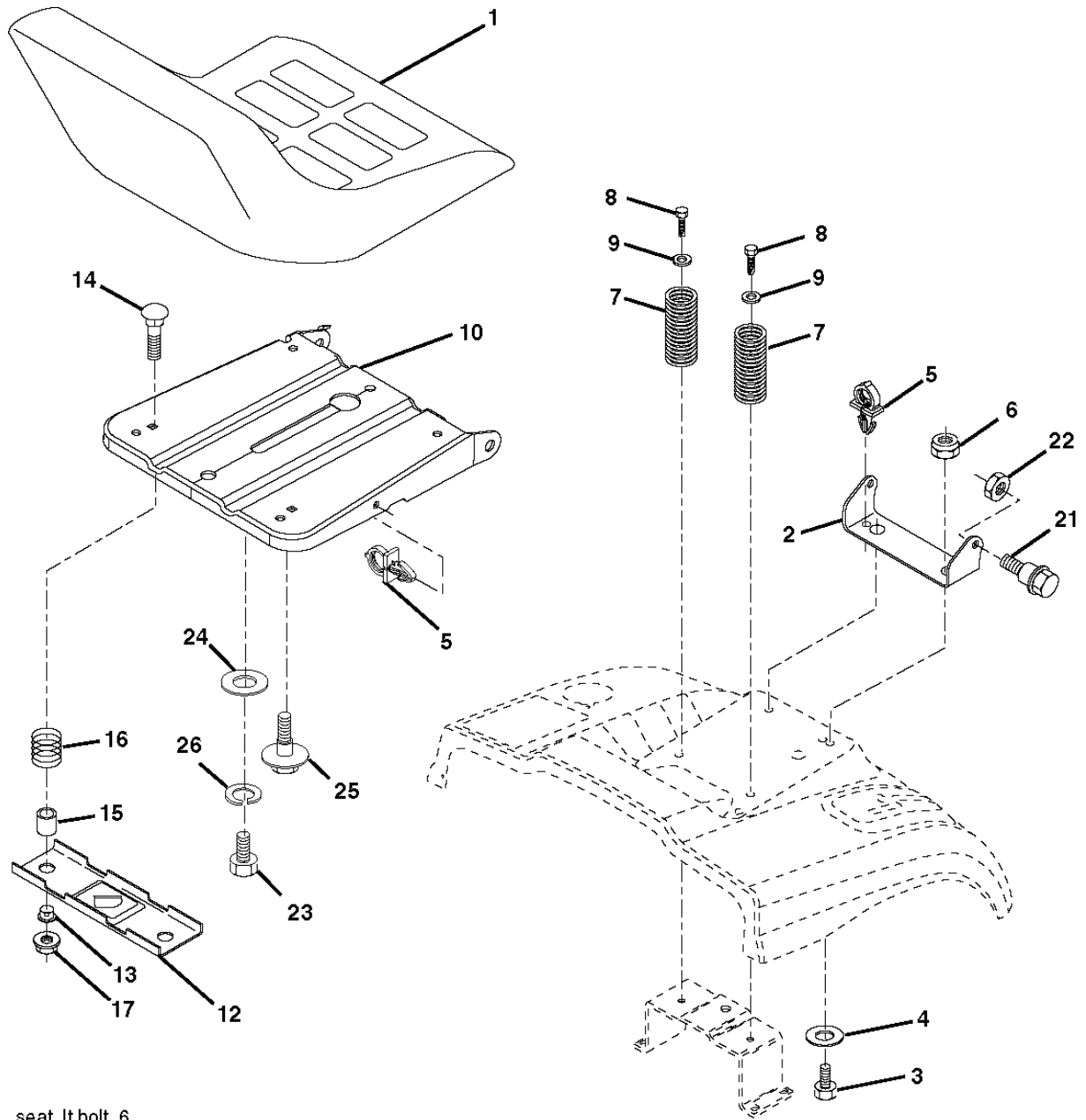


OPTIONAL EQUIPMENT
Spark Arrester

MOTOR

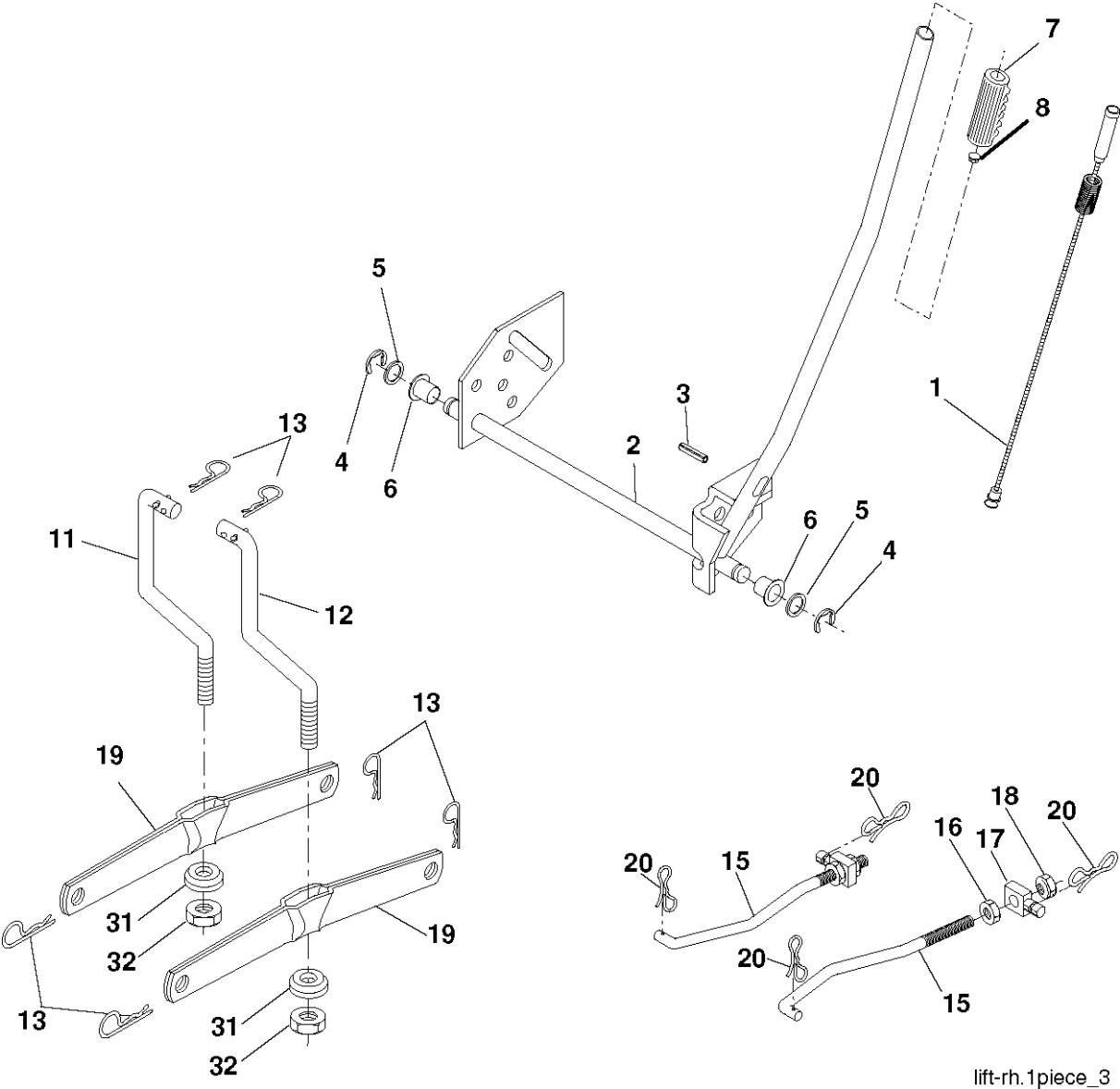
P13592RB, 96061017302, 2008-08

| Referenz | Teile Nr | Beschreibung | Bemerkung: | ANZ KIT |
|----------|--------------|--------------------|------------|---------|
| 1 | 532 17 05-51 | DROSSELREGELUNG | | 1 |
| 2 | 817 72 04-08 | SCHRAUBE | | 1 |
| 4 | 532 17 97-58 | SCHALLDÄMPFER | | 1 |
| 13 | 532 16 52-91 | DICHTUNG | | 1 |
| 14 | 532 14 84-56 | ROHR | | 1 |
| 23 | 532 16 98-37 | SCHUTZ | | 1 |
| 25 | 532 19 06-95 | CONTROL CHOKE | | 1 |
| 29 | 532 13 71-80 | SPARK ARRESTER KIT | | 1 |
| 31 | 532 40 75-16 | KRAFTSTOFFTANK | | 1 |
| 32 | 532 19 77-25 | STOPFEN | | 1 |
| 33 | 532 12 34-87 | SCHLAUSCHELLE | | 1 |
| 37 | 532 13 70-40 | SCHLAUCH | | 1 |
| 38 | 532 18 16-54 | STOPFEN | | 1 |
| 40 | 532 12 40-28 | BUSHING | | 1 |
| 44 | 817 67 04-12 | SCHRAUBE | | 1 |
| 45 | 817 00 06-12 | SCHRAUBE | | 1 |
| 46 | 819 09 14-16 | SCHEIBE | | 1 |
| 72 | 532 19 23-34 | SCHRAUBE | | 1 |
| 78 | 817 06 06-20 | SCHRAUBE | | 1 |
| 81 | 873 51 04-00 | MUTTER | | 1 |



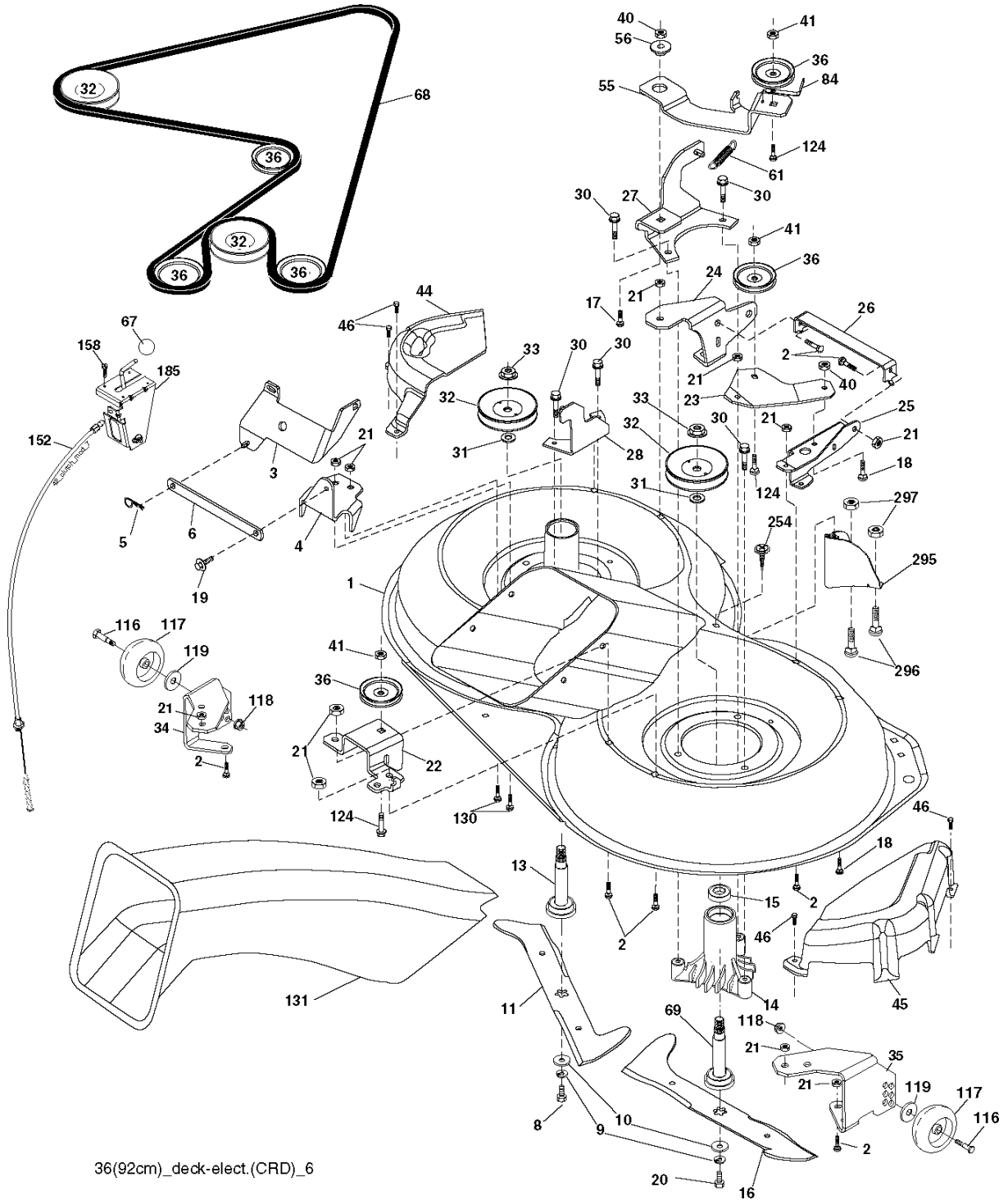
seat_lt.bolt_6

| Referenz | Teile Nr | Beschreibung | Bemerkung: | ANZ KIT |
|----------|--------------|-----------------------------|------------|---------|
| 1 | 532 40 10-42 | SIEGE CONDUCTEUR | | 1 |
| 2 | 532 14 05-51 | HALTER | | 1 |
| 3 | 871 11 06-16 | SCHRAUBE | | 1 |
| 4 | 819 13 16-10 | SCHEIBE | | 1 |
| 5 | 532 14 50-06 | KLAMMER | | 1 |
| 6 | 873 80 06-00 | MUTTER | | 1 |
| 7 | 532 12 41-81 | FEDER | | 1 |
| 8 | 817 00 06-16 | SCHRAUBE | | 1 |
| 9 | 819 13 16-14 | SCHEIBE | | 1 |
| 10 | 532 19 55-30 | BERCEAU DE SIEGE CONDUCTEUR | | 1 |
| 12 | 532 17 46-48 | HALTER | | 1 |
| 13 | 532 12 12-48 | BUSHING | | 1 |
| 14 | 872 05 04-12 | BOLZEN | | 1 |
| 15 | 532 13 43-00 | ABSTANDSSCHEIBE | | 1 |
| 16 | 532 12 12-50 | FEDER | | 1 |
| 17 | 532 12 39-76 | LOCKNUT | | 1 |
| 21 | 532 17 18-52 | BOLZEN | | 1 |
| 22 | 873 80 05-00 | LOCK NUT | | 1 |
| 23 | 871 11 08-14 | BOLZEN | | 1 |
| 24 | 819 17 19-12 | SCHEIBE | | 1 |
| 25 | 532 12 70-18 | BOLZEN | | 1 |
| 26 | 810 04 08-00 | SCHEIBE | | 1 |



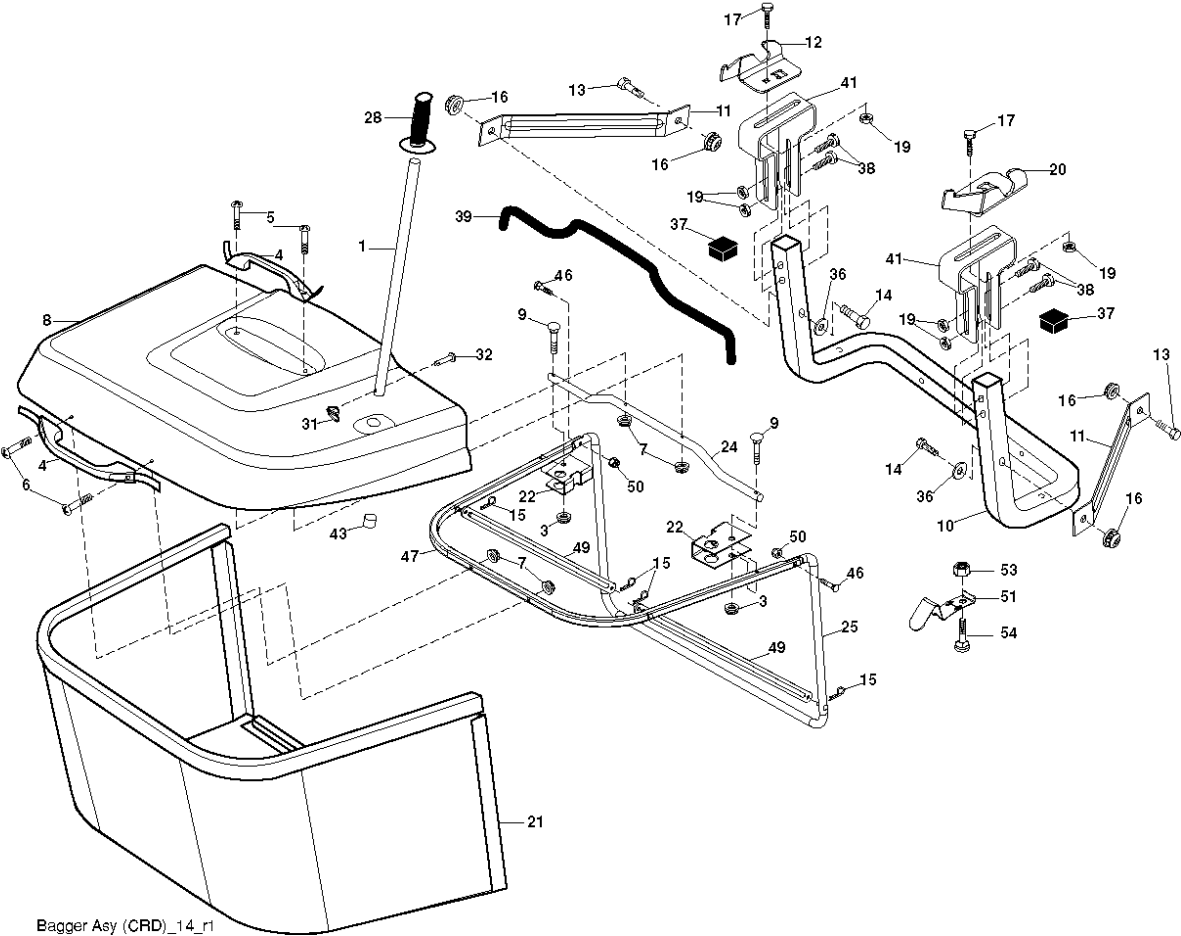
lift-rh.1piece_3

| Referenz | Teile Nr | Beschreibung | Bemerkung: | ANZ KIT |
|----------|--------------|---------------------|------------|---------|
| 1 | 532 15 94-60 | KABEL | | 1 |
| 2 | 532 15 94-71 | HEBEL | | 1 |
| 3 | 532 10 57-67 | PIN RETAINING SCREW | | 1 |
| 4 | 812 00 00-02 | RETAINING RING | | 1 |
| 5 | 819 21 16-21 | SCHEIBE | | 1 |
| 6 | 532 12 01-83 | LAGER | | 1 |
| 7 | 532 10 94-13 | GRIFF | | 1 |
| 8 | 532 12 45-26 | KNOPF | | 1 |
| 11 | 532 16 58-29 | STANGE | | 1 |
| 12 | 532 16 58-31 | STANGE | | 1 |
| 13 | 532 12 46-70 | RETAINING RING | | 1 |
| 15 | 532 17 32-88 | GELENK | | 1 |
| 16 | 873 35 08-00 | MUTTER | | 1 |
| 17 | 532 17 56-89 | HALTER | | 1 |
| 18 | 873 80 08-00 | MUTTER | | 1 |
| 19 | 532 13 98-68 | HEBEL | | 1 |
| 20 | 532 19 42-09 | FEDER | | 1 |
| 31 | 532 16 98-65 | LAGER | | 1 |
| 32 | 873 54 06-00 | MUTTER | | 1 |



36(92cm)_deck-elect.(CRD)_6

| Referenz | Teile Nr | Beschreibung | Bemerkung: | ANZ KIT |
|----------|--------------|------------------------|--|---------|
| 1 | 532 40 01-08 | GEHÄUSE | | 1 |
| 2 | 872 14 05-06 | BOLZEN | | 1 |
| 3 | 532 16 55-69 | HALTER | | 1 |
| 4 | 532 16 55-58 | HALTER | | 1 |
| 5 | 532 12 46-70 | RETAINING RING | | 1 |
| 6 | 532 16 55-57 | STANGE | | 1 |
| 8 | 532 18 17-12 | BOLZEN | | 1 |
| 9 | 810 03 06-00 | SCHEIBE | | 1 |
| 10 | 532 14 02-96 | SCHEIBE | | 1 |
| 11 | 532 18 63-85 | RIDE ON BLADE | | 1 |
| 13 | 532 13 76-45 | WELLE | | 1 |
| 14 | 532 12 87-74 | LAGERGEHÄUSE | | 1 |
| 15 | 532 11 04-85 | LAGER | | 1 |
| 16 | 532 18 63-86 | RIDE ON BLADE | | 1 |
| 17 | 872 14 06-10 | BOLZEN | | 1 |
| 18 | 872 11 06-06 | BOLZEN | | 1 |
| 19 | 532 13 28-27 | SPEC. BOLT | | 1 |
| 20 | 532 18 17-13 | BOLZEN | | 1 |
| 21 | 873 68 05-00 | MUTTER | | 1 |
| 22 | 532 19 95-90 | HALTER | | 1 |
| 23 | 532 16 54-46 | PLATTE | | 1 |
| 24 | 532 16 52-42 | HALTER | | 1 |
| 25 | 532 16 52-44 | HALTER | | 1 |
| 26 | 532 40 01-10 | STÜTZE | | 1 |
| 27 | 532 16 55-68 | HALTER | | 1 |
| 28 | 532 16 55-67 | HALTER | | 1 |
| 30 | 532 17 39-84 | SCHRAUBE | | 1 |
| 31 | 532 18 76-90 | SCHEIBE | | 1 |
| 32 | 532 15 35-32 | RIEMENSCHLEIBE | | 1 |
| 33 | 532 40 02-34 | MUTTER | | 1 |
| 34 | 532 40 01-07 | HALTER | | 1 |
| 35 | 532 40 01-06 | HALTER | | 1 |
| 36 | 532 14 67-63 | RIEMENSCHLEIBE | | 1 |
| 40 | 873 68 06-00 | MUTTER | | 1 |
| 41 | 873 90 06-00 | MUTTER | | 1 |
| 44 | 532 17 55-38 | DECKEL | | 1 |
| 45 | 532 17 55-39 | DECKEL | | 1 |
| 46 | 532 13 77-29 | SCHRAUBE | | 1 |
| 55 | 532 19 94-98 | ARM | | 1 |
| 56 | 532 16 57-23 | ABSTANDSSCHLEIBE | | 1 |
| 61 | 532 19 94-86 | FEDER | | 1 |
| 67 | 532 10 69-32 | KNOPF | | 1 |
| 68 | 532 40 20-08 | RIEMEN | | 1 |
| 69 | 532 16 54-82 | WELLE | | 1 |
| 84 | 532 15 60-85 | RIEMENFÜHRUNG | | 1 |
| 116 | 532 19 34-06 | BOLZEN | | 1 |
| 117 | 532 17 48-73 | LAUFRAD | | 1 |
| 118 | 873 90 06-00 | MUTTER | | 1 |
| 119 | 819 13 20-12 | SCHEIBE | | 1 |
| 124 | 872 11 06-12 | BOLZEN | | 1 |
| 130 | 872 11 05-06 | BOLZEN | | 1 |
| 131 | 532 16 56-61 | ROHR | | 1 |
| 152 | 532 17 60-74 | KABEL | | 1 |
| 158 | 817 72 04-08 | SCHRAUBE | | 1 |
| 185 | 532 18 82-34 | HEAD ASM. CABLE CLUTCH | | 1 |
| 254 | 817 00 06-16 | SCHRAUBE | | 1 |
| 295 | 532 41 21-71 | PLATTE | | 1 |
| 296 | 872 14 04-06 | BOLZEN | | 1 |
| 297 | 873 93 04-00 | MUTTER | | 1 |
| -- | 532 18 18-57 | LAGERGEHÄUSE | | 1 |
| -- | 532 18 18-58 | LAGERGEHÄUSE | | 1 |
| -- | 532 41 37-11 | SCHNEIDWERK | (Std. Deck - Order separately guage wheel components key nos. 116 - 119) | 1 |



Bagger Asy (CRD)_14_r1

| Referenz | Teile Nr | Beschreibung | Bemerkung: | ANZ KIT |
|----------|--------------|-----------------------------|------------|---------|
| 1 | 532 16 52-49 | STANGE | | 1 |
| 3 | 532 12 39-76 | LOCKNUT | | 1 |
| 4 | 532 16 99-16 | EINSTELLHEBEL | | 1 |
| 5 | 874 98 10-24 | SCHRAUBE | | 1 |
| 6 | 874 98 10-32 | SCHRAUBE | | 1 |
| 7 | 873 40 10-00 | MUTTER | | 1 |
| 8 | 532 18 25-14 | COUVERCLERPL.PAR 169963X428 | | 1 |
| 9 | 872 14 04-18 | BOLZEN | | 1 |
| 10 | 532 18 12-82 | ROHR | | 1 |
| 11 | 532 16 57-19 | STANGE | | 1 |
| 12 | 532 18 88-48 | HALTER | | 1 |
| 13 | 874 76 06-12 | BOLZEN | | 1 |
| 14 | 874 52 06-36 | BOLZEN | | 1 |
| 16 | 873 90 06-00 | MUTTER | | 1 |
| 15 | 532 12 46-70 | RETAINING RING | | 1 |
| 17 | 872 14 05-06 | BOLZEN | | 1 |
| 19 | 873 90 05-00 | MUTTER | | 1 |
| 20 | 532 18 88-47 | HALTER | | 1 |
| 21 | 532 40 61-80 | FANGSACK | | 1 |
| 22 | 532 16 57-81 | KLEMME | | 1 |
| 24 | 532 16 57-83 | RAHMEN | | 1 |
| 25 | 532 19 37-05 | ROHR | | 1 |
| 28 | 532 16 57-87 | EINSTELLHEBEL | | 1 |
| 31 | 532 16 94-84 | BOLZEN | | 1 |
| 32 | 532 12 68-75 | NIETE | | 1 |
| 36 | 819 13 20-12 | SCHEIBE | | 1 |
| 37 | 532 17 54-01 | STOPFEN | | 1 |
| 38 | 872 01 05-20 | BOLZEN | | 1 |
| 39 | 532 41 62-57 | DICHTUNG | | 1 |
| 41 | 532 16 96-83 | HALTER | | 1 |
| 43 | 532 17 40-83 | STOPFEN | | 1 |
| 46 | 872 11 05-10 | BOLZEN | | 1 |
| 47 | 532 19 37-04 | ROHR | | 1 |
| 49 | 532 19 33-05 | STANGE | | 1 |
| 50 | 873 80 05-00 | LOCK NUT | | 1 |
| 51 | 532 19 99-03 | SPERRHAKEN | | 1 |
| 53 | 873 51 04-00 | MUTTER | | 1 |
| 54 | 872 14 04-06 | BOLZEN | | 1 |