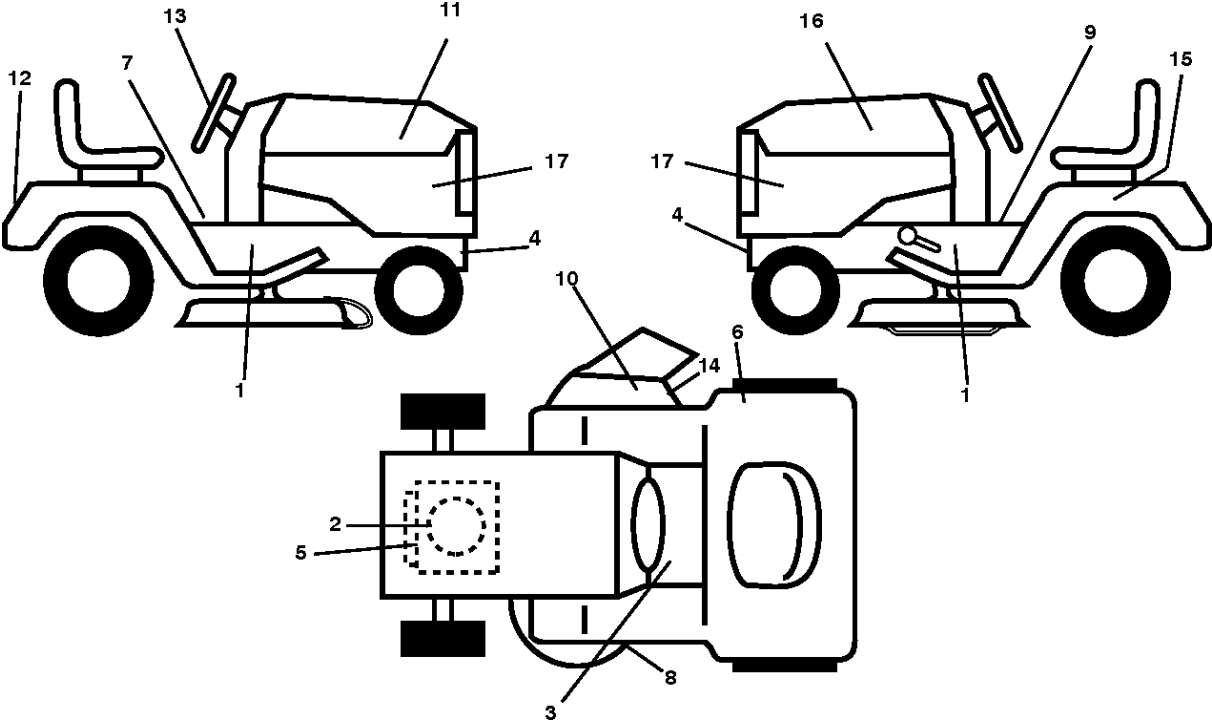




# SPARE PARTS LIST

TRACTORS/RIDE MOWERS

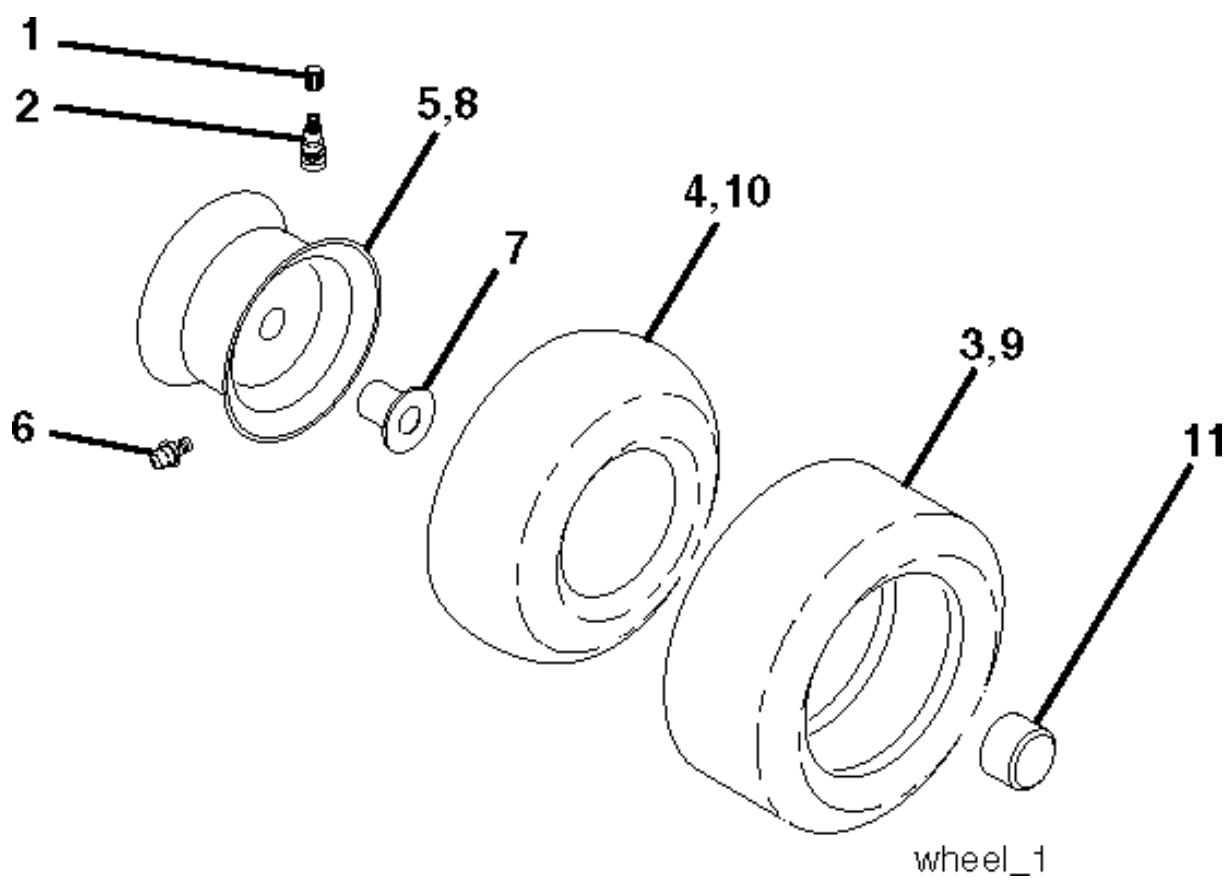
P11597, 96011019302, 2009-04



## AUFKLEBER

P11597, 96011019302, 2009-04

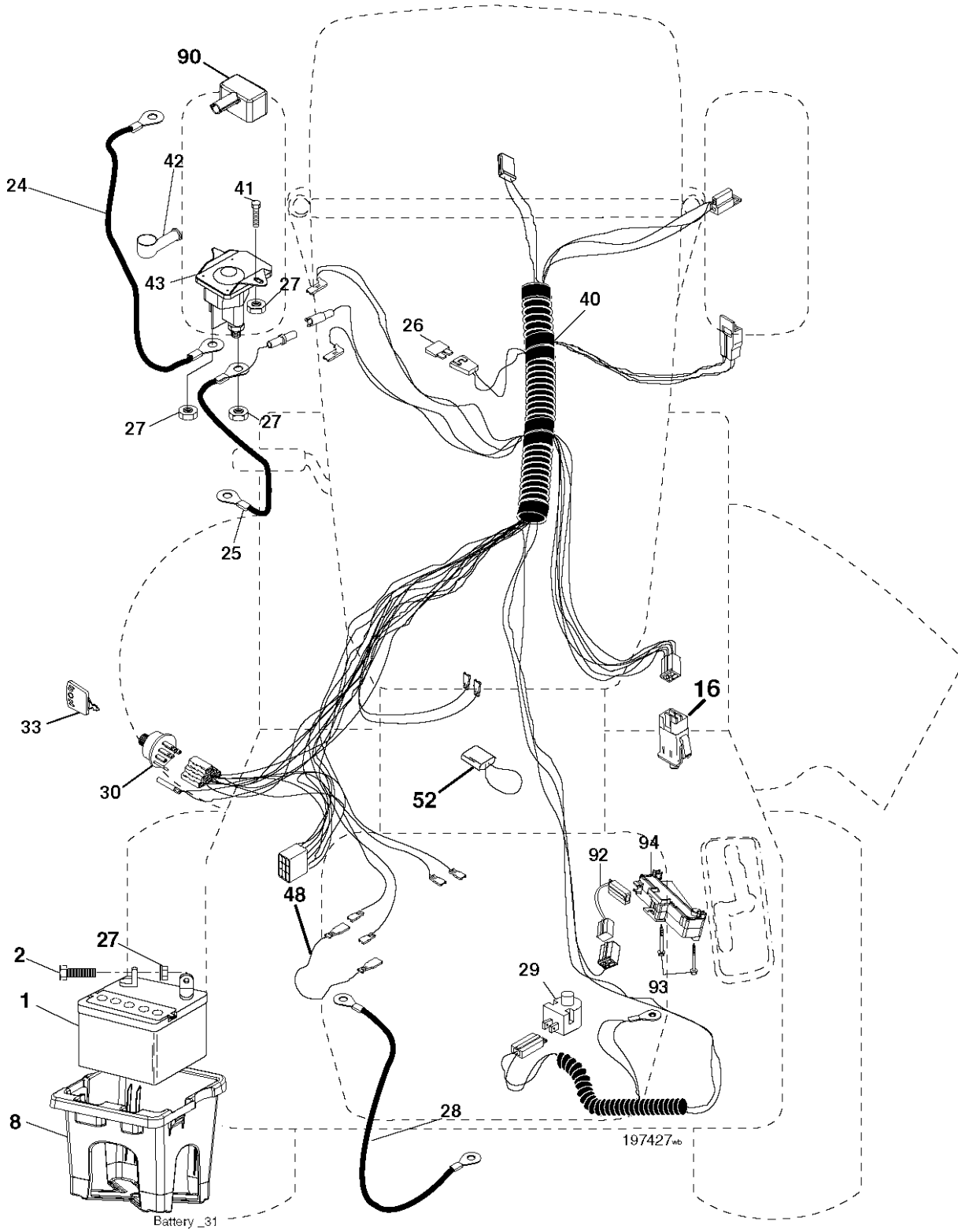
| Referenz | Teile Nr     | Beschreibung               | Bemerkung: | ANZ KIT |
|----------|--------------|----------------------------|------------|---------|
| 1        | 532 18 56-51 | Folie                      |            | 1       |
| 2        | 532 19 68-41 | Folie                      |            | 1       |
| 3        | 532 15 97-37 | Folie                      |            | 1       |
| 4        | 532 15 97-36 | Folie                      |            | 1       |
| 5        | 532 40 88-07 | Folie                      |            | 1       |
| 6        | 532 18 04-32 | Folie                      |            | 1       |
| 7        | 532 40 03-89 | AUFKLEBER                  |            | 1       |
| 8        | 532 19 43-02 | DECALC.SCHEMA MONTAGE      |            | 1       |
| 9        | 532 14 08-37 | Folie                      |            | 1       |
| 10       | 532 18 21-66 | Folie                      |            | 1       |
| 11       | 532 40 89-09 | AUFKLEBER                  |            | 1       |
| 12       | 532 40 89-41 | AUFKLEBER                  |            | 1       |
| 13       | 532 40 16-49 | Folie                      |            | 1       |
| 14       | 532 19 63-57 | DECALC."DANGER DEFLECTEUR" |            | 1       |
| 15       | 532 14 50-05 | Folie                      |            | 1       |
| 16       | 532 40 89-10 | AUFKLEBER                  |            | 1       |
| 17       | 532 40 89-40 | AUFKLEBER                  |            | 1       |
| --       | 532 16 25-98 | Folie                      |            | 1       |
| --       | 532 13 83-11 | Folie                      |            | 1       |
| --       | 532 40 09-01 | OPERATORS MANUAL           | Euro       | 1       |
| --       | 532 40 09-02 | OPERATORS MANUAL           | Scan       | 1       |



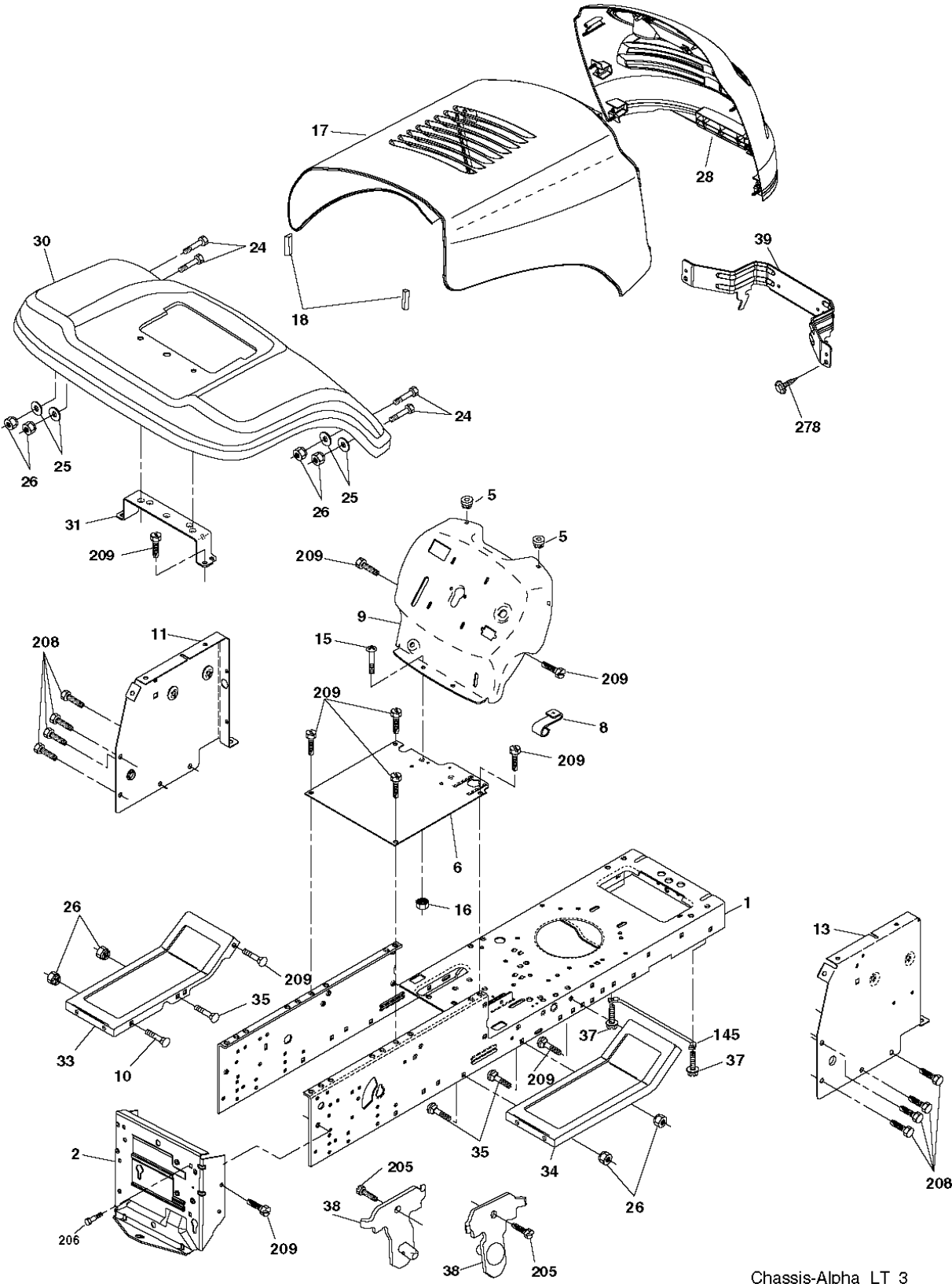
## RÄDER &amp; REIFEN

P11597, 96011019302, 2009-04

| Referenz | Teile Nr     | Beschreibung | Bemerkung: | ANZ KIT |
|----------|--------------|--------------|------------|---------|
| 1        | 532 05 91-92 | CAP VALVE    |            | 1       |
| 2        | 532 06 51-39 | NIPPEL       |            | 1       |
| 3        | 532 12 41-57 | REIFEN       |            | 1       |
| 4        | 532 05 99-04 | SCHLAUCH     |            | 1       |
| 5        | 532 12 51-21 | RIM, 6"      |            | 1       |
| 6        | 532 12 49-57 | NIPPEL       |            | 1       |
| 7        | 532 12 49-59 | LAGER        |            | 1       |
| 8        | 532 12 51-22 | RIM, 8"      |            | 1       |
| 9        | 532 12 39-69 | REIFEN       |            | 1       |
| 10       | 532 12 49-26 | SCHLAUCH     |            | 1       |
| 11       | 532 17 50-39 | RADKAPPE     |            | 1       |
| --       | 532 14 43-34 | SEALING FOAM |            | 1       |



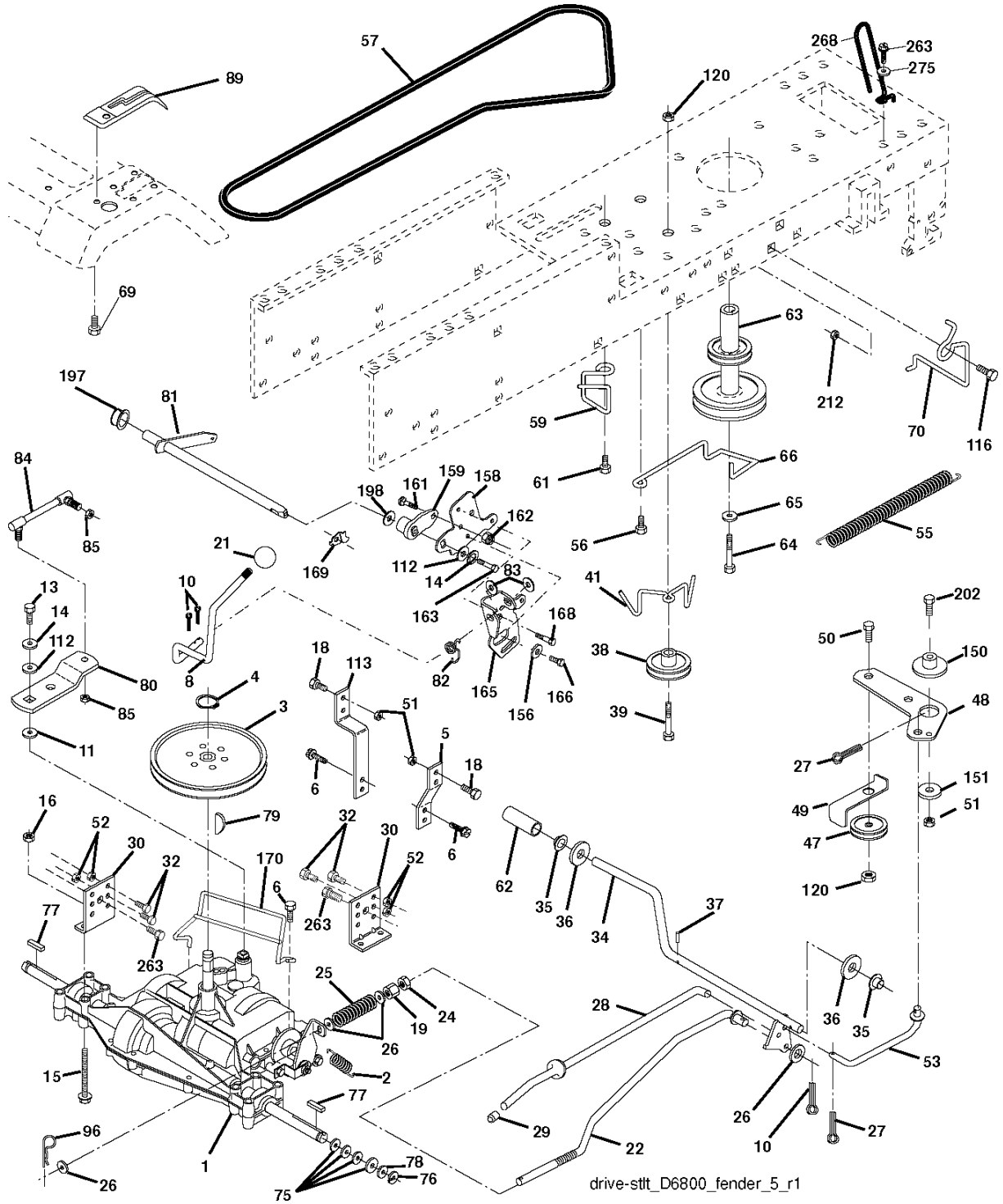
| Referenz | Teile Nr     | Beschreibung           | Bemerkung: | ANZ KIT |
|----------|--------------|------------------------|------------|---------|
| 1        | 532 16 34-65 | BATTERIE               |            | 1       |
| 2        | 874 76 04-12 | BOLZEN                 |            | 1       |
| 8        | 532 17 66-89 | BATTERIEKASTEN         |            | 1       |
| 16       | 532 17 61-38 | SWITCH INTERLOCK       |            | 1       |
| 24       | 532 12 47-80 | KABEL                  |            | 1       |
| 25       | 532 14 61-47 | KABEL                  |            | 1       |
| 26       | 532 17 51-58 | SICHERUNG              |            | 1       |
| 27       | 873 51 04-00 | MUTTER                 |            | 1       |
| 28       | 532 12 47-73 | KABEL                  |            | 1       |
| 29       | 532 19 27-49 | SWITCH.SEAT.DP W/RAMPS |            | 1       |
| 30       | 532 19 33-50 | ELEKTRONIKMODUL        |            | 1       |
| 33       | 532 14 04-01 | TASTE                  |            | 1       |
| 40       | 532 19 74-27 | KABEL                  |            | 1       |
| 41       | 871 11 04-08 | BOLZEN                 |            | 1       |
| 42       | 532 13 15-63 | DECKEL                 |            | 1       |
| 43       | 532 19 25-07 | ELEKTROMAGNET          |            | 1       |
| 48       | 532 14 08-44 | ADAPTER                |            | 1       |
| 52       | 532 14 19-40 | PROTECTOR              |            | 1       |
| 90       | 532 18 04-49 | DECKEL                 |            | 1       |
| 92       | 532 19 66-15 | KABELSATZ              |            | 1       |
| 93       | 532 19 25-40 | SCHRAUBE               |            | 1       |
| 94       | 532 19 18-34 | MODULE.REVERSE.ROS     |            | 1       |



Chassis-Alpha\_LT\_3



| Referenz | Teile Nr     | Beschreibung  | Bemerkung: | ANZ KIT |
|----------|--------------|---------------|------------|---------|
| 1        | 532 17 46-20 | RAHMEN        |            | 1       |
| 2        | 532 17 65-54 | PLATTE        |            | 1       |
| 5        | 532 15 52-72 | DÄMPFER       |            | 1       |
| 6        | 532 18 44-19 | PLATTE        |            | 1       |
| 8        | 532 15 51-38 | KLAMMER       |            | 1       |
| 9        | 532 19 46-88 | SCHALTBRETT   |            | 1       |
| 10       | 872 14 06-08 | BOLZEN        |            | 1       |
| 11       | 532 17 49-96 | PLATTE        |            | 1       |
| 13       | 532 18 17-19 | PLATTE        |            | 1       |
| 15       | 874 18 05-12 | SCHRAUBE      |            | 1       |
| 16       | 873 51 05-00 | MUTTER        |            | 1       |
| 17       | 532 40 61-97 | HAUBE         |            | 1       |
| 18       | 532 18 49-21 | STOSSFÄNGER   |            | 1       |
| 24       | 874 78 06-16 | BOLZEN        |            | 1       |
| 25       | 819 13 13-12 | SCHEIBE       |            | 1       |
| 26       | 873 80 06-00 | MUTTER        |            | 1       |
| 28       | 532 19 47-98 | GRILLE        |            | 1       |
| 30       | 532 40 48-52 | RADABDECKUNG  |            | 1       |
| 31       | 532 13 66-19 | STANGE        |            | 1       |
| 33       | 532 18 25-07 | FOOT REST, LH |            | 1       |
| 34       | 532 18 25-08 | FOOT REST, RH |            | 1       |
| 35       | 872 11 06-06 | BOLZEN        |            | 1       |
| 37       | 817 49 05-08 | SCHRAUBE      |            | 1       |
| 38       | 532 17 57-10 | HALTER        |            | 1       |
| 39       | 532 18 75-68 | HALTER        |            | 1       |
| 145      | 532 15 65-24 | WELLE         |            | 1       |
| 205      | 817 49 06-08 | SCHRAUBE      |            | 1       |
| 206      | 532 17 01-65 | BOLZEN        |            | 1       |
| 208      | 817 67 06-08 | SCHRAUBE      |            | 1       |
| 209      | 817 00 06-12 | SCHRAUBE      |            | 1       |
| 278      | 532 19 16-11 | SCHRAUBE      |            | 1       |
| --       | 532 00 54-79 | STOPFEN       |            | 1       |
| --       | 532 19 39-35 | STOPFEN       |            | 1       |



| Referenz | Teile Nr     | Beschreibung           | Bemerkung: | ANZ KIT |
|----------|--------------|------------------------|------------|---------|
| 2        | 532 14 66-82 | FEDER                  |            | 1       |
| 3        | 532 12 36-66 | RIEMENSCHLEIBE         |            | 1       |
| 4        | 812 00 00-28 | KLAMMER                |            | 1       |
| 5        | 532 12 15-20 | HALTER                 |            | 1       |
| 6        | 817 00 05-12 | SCHRAUBE               |            | 1       |
| 8        | 532 19 27-06 | HEBEL                  |            | 1       |
| 10       | 876 02 04-16 | SPANNHÜLSE             |            | 1       |
| 11       | 532 10 57-01 | SCHEIBE                |            | 1       |
| 13       | 874 55 04-12 | BOLZEN                 |            | 1       |
| 14       | 810 04 04-00 | SCHEIBE                |            | 1       |
| 15       | 874 49 05-44 | SCHRAUBE               |            | 1       |
| 16       | 873 80 05-00 | LOCK NUT               |            | 1       |
| 18       | 874 78 06-16 | BOLZEN                 |            | 1       |
| 19       | 873 80 06-00 | MUTTER                 |            | 1       |
| 21       | 532 10 69-33 | KNOPF                  |            | 1       |
| 22       | 532 13 08-04 | STANGE                 |            | 1       |
| 24       | 873 35 06-00 | MUTTER                 |            | 1       |
| 25       | 532 10 68-88 | FEDER                  |            | 1       |
| 26       | 819 13 13-16 | SCHEIBE                |            | 1       |
| 27       | 876 02 04-12 | SPANNHÜLSE             |            | 1       |
| 28       | 532 17 57-65 | WELLE                  |            | 1       |
| 29       | 532 07 16-73 | DECKEL                 |            | 1       |
| 30       | 532 17 49-73 | HALTER                 |            | 1       |
| 32       | 874 76 05-12 | BOLZEN                 |            | 1       |
| 34       | 532 17 55-78 | WELLE                  |            | 1       |
| 35       | 532 12 01-83 | LAGER                  |            | 1       |
| 36       | 819 21 16-16 | SCHEIBE                |            | 1       |
| 37       | 532 12 49-63 | PIN RETAINING SCREW    |            | 1       |
| 38       | 532 17 91-14 | RIEMENSCHLEIBE         |            | 1       |
| 39       | 872 11 06-22 | BOLZEN                 |            | 1       |
| 41       | 532 17 55-56 | RIEMENFÜHRUNG          |            | 1       |
| 47       | 532 12 77-83 | RIEMENSCHLEIBE         |            | 1       |
| 48       | 532 15 44-07 | FÜHRUNG                |            | 1       |
| 49       | 532 12 32-05 | RIEMENFÜHRUNG          |            | 1       |
| 50       | 872 11 06-12 | BOLZEN                 |            | 1       |
| 51       | 873 68 06-00 | MUTTER                 |            | 1       |
| 52       | 873 68 05-00 | MUTTER                 |            | 1       |
| 53       | 532 19 96-52 | TIGE DE TENSION POULIE |            | 1       |
| 55       | 532 10 57-09 | FEDER                  |            | 1       |
| 56       | 817 06 06-20 | SCHRAUBE               |            | 1       |
| 57       | 532 40 16-03 | RIEMEN                 |            | 1       |
| 59       | 532 16 96-91 | RIEMENFÜHRUNG          |            | 1       |
| 61       | 817 12 06-14 | SCHRAUBE               |            | 1       |
| 62       | 532 12 48-72 | PEDAL RUBBER           |            | 1       |
| 63       | 532 17 54-10 | RIEMENSCHLEIBE         |            | 1       |
| 64       | 532 17 39-37 | BOLZEN                 |            | 1       |
| 65       | 810 04 07-00 | SCHEIBE                |            | 1       |
| 66       | 532 15 47-78 | SPANNER                |            | 1       |
| 69       | 532 14 24-32 | SCHRAUBE               |            | 1       |
| 70       | 532 13 46-83 | RIEMENFÜHRUNG          |            | 1       |
| 74       | 532 10 95-02 | ABSTANDSSCHLEIBE       |            | 1       |
| 75       | 532 12 17-49 | SCHEIBE                |            | 1       |
| 76       | 812 00 00-01 | SPRENGRING             |            | 1       |
| 77       | 532 12 35-83 | TASTE                  |            | 1       |
| 78       | 532 12 17-48 | SCHEIBE                |            | 1       |
| 79       | 532 12 50-96 | SCHEIBENFEDER          |            | 1       |
| 80       | 532 13 14-88 | HEBEL                  |            | 1       |
| 81       | 532 16 55-94 | WELLE                  |            | 1       |
| 82       | 532 16 57-11 | FEDER                  |            | 1       |
| 83       | 819 17 12-16 | SCHEIBE                |            | 1       |
| 84       | 532 16 62-29 | GELENK                 |            | 1       |
| 85       | 532 15 03-60 | MUTTER                 |            | 1       |
| 89       | 532 19 58-61 | BEFESTIGUNG            |            | 1       |
| 96       | 532 12 47-88 | RETAINING RING         |            | 1       |

## ANTRIEB

P11597, 96011019302, 2009-04

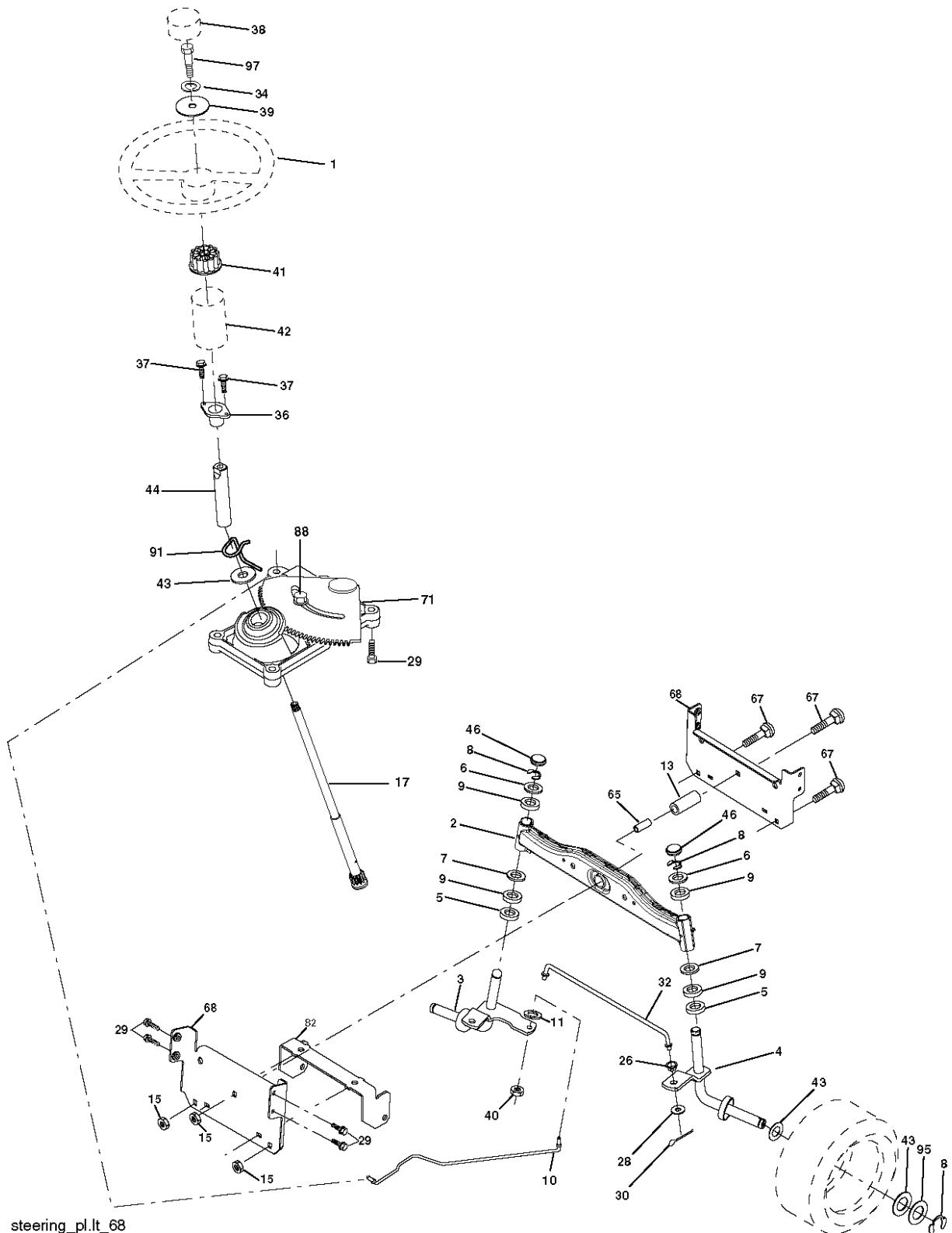
| Referenz | Teile Nr     | Beschreibung    | Bemerkung: | ANZ KIT |
|----------|--------------|-----------------|------------|---------|
| 112      | 819 09 12-10 | SCHEIBE         |            | 1       |
| 113      | 532 12 72-85 | HALTER          |            | 1       |
| 116      | 872 14 06-08 | BOLZEN          |            | 1       |
| 120      | 873 90 06-00 | MUTTER          |            | 1       |
| 150      | 532 17 54-56 | ABSTANDSSCHEIBE |            | 1       |
| 151      | 819 13 32-10 | SCHEIBE         |            | 1       |
| 156      | 532 16 60-02 | SCHEIBE         |            | 1       |
| 158      | 532 16 55-89 | HALTER          |            | 1       |
| 159      | 532 18 39-00 | HEBEL           |            | 1       |
| 161      | 872 14 04-06 | BOLZEN          |            | 1       |
| 162      | 873 68 04-00 | MUTTER          |            | 1       |
| 163      | 874 78 04-16 | BOLZEN          |            | 1       |
| 165      | 532 16 56-23 | HALTER          |            | 1       |
| 166      | 817 49 05-10 | SCHRAUBE        |            | 1       |
| 168      | 532 16 54-92 | BOLZEN          |            | 1       |
| 169      | 532 16 55-81 | HALTER          |            | 1       |
| 170      | 532 18 74-14 | KEEPER BELT T/A |            | 1       |
| 197      | 532 16 96-13 | HÜLSE           |            | 1       |
| 198      | 532 16 98-45 | SCHEIBE         |            | 1       |
| 202      | 872 11 06-14 | BOLZEN          |            | 1       |
| 212      | 532 14 52-12 | MUTTER          |            | 1       |
| 263      | 817 00 06-12 | SCHRAUBE        |            | 1       |
| 268      | 532 18 24-02 | PROTECTOR       |            | 1       |
| 275      | 819 13 16-14 | SCHEIBE         |            | 1       |



## MOTOR

P11597, 96011019302, 2009-04

| Referenz | Teile Nr     | Beschreibung       | Bemerkung: | ANZ KIT |
|----------|--------------|--------------------|------------|---------|
| 1        | 532 17 05-51 | DROSSELREGELUNG    |            | 1       |
| 2        | 817 72 04-08 | SCHRAUBE           |            | 1       |
| 4        | 532 17 97-58 | SCHALLDÄMPFER      |            | 1       |
| 13       | 532 16 52-91 | DICHTUNG           |            | 1       |
| 14       | 532 14 84-56 | ROHR               |            | 1       |
| 23       | 532 16 98-37 | SCHUTZ             |            | 1       |
| 25       | 532 19 06-95 | CONTROL CHOKE      |            | 1       |
| 29       | 532 13 71-80 | SPARK ARRESTER KIT |            | 1       |
| 31       | 532 40 75-16 | KRAFTSTOFFTANK     |            | 1       |
| 32       | 532 19 77-25 | STOPFEN            |            | 1       |
| 33       | 532 12 34-87 | SCHLAUSCHELLE      |            | 1       |
| 37       | 532 13 70-40 | SCHLAUCH           |            | 1       |
| 38       | 532 18 16-54 | STOPFEN            |            | 1       |
| 40       | 532 12 40-28 | BUSHING            |            | 1       |
| 44       | 817 67 04-12 | SCHRAUBE           |            | 1       |
| 45       | 817 00 06-12 | SCHRAUBE           |            | 1       |
| 46       | 819 09 14-16 | SCHEIBE            |            | 1       |
| 62       | 810 04 05-00 | SCHEIBE            |            | 1       |
| 72       | 532 19 23-34 | SCHRAUBE           |            | 1       |
| 78       | 817 06 06-20 | SCHRAUBE           |            | 1       |
| 81       | 873 51 04-00 | MUTTER             |            | 1       |



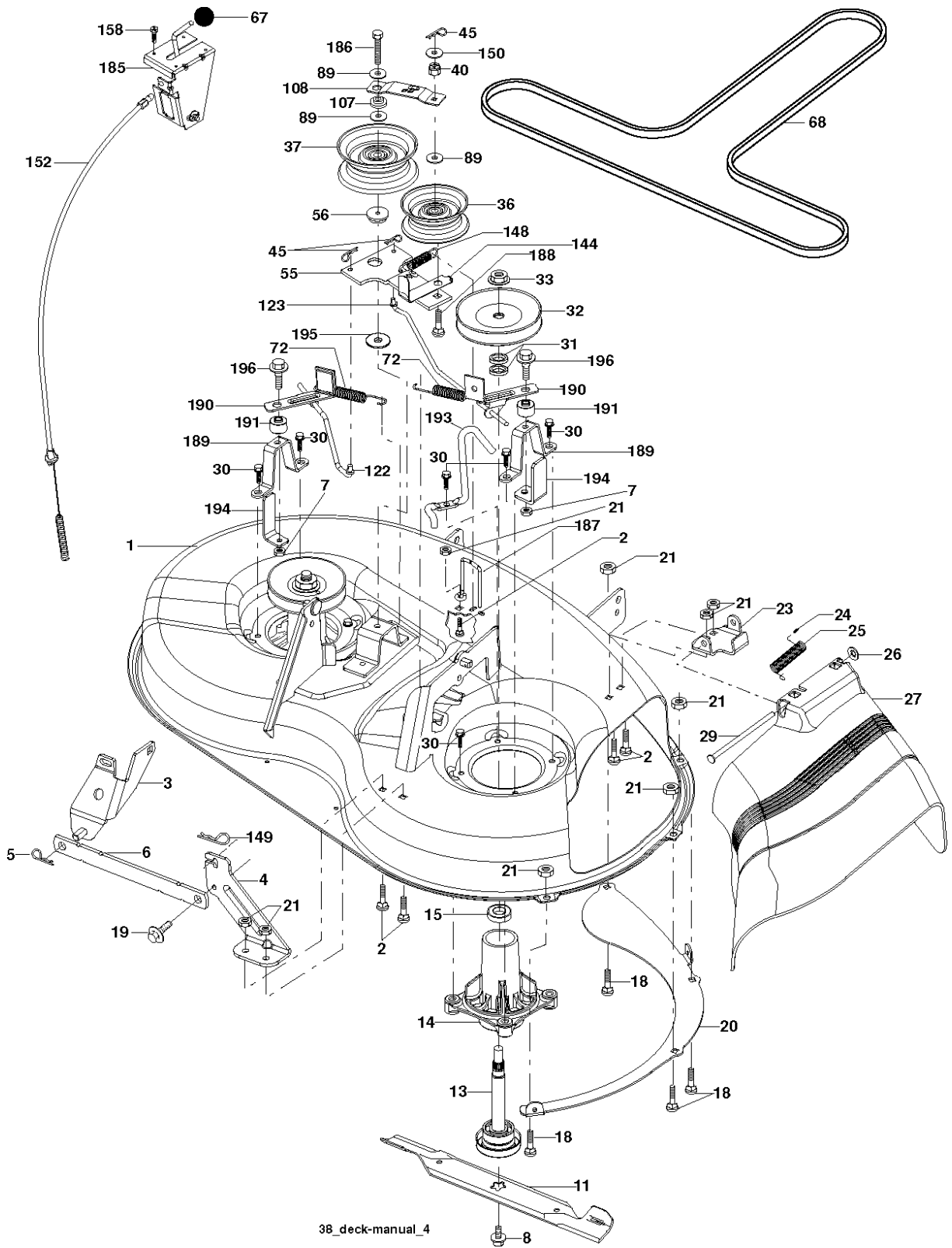
steering\_pl.lt\_68

## LENKUNG

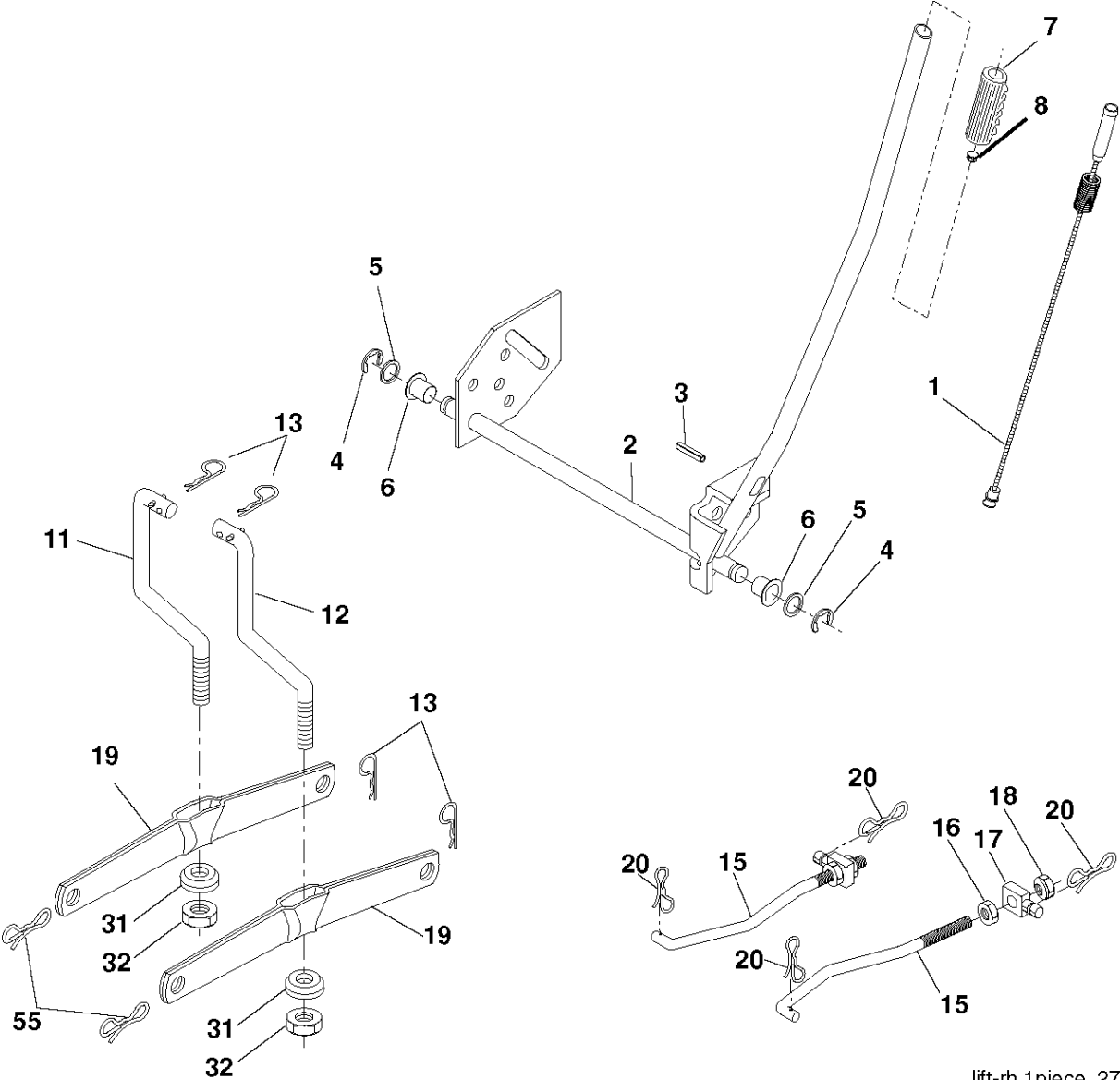
P11597, 96011019302, 2009-04

| Referenz | Teile Nr     | Beschreibung         | Bemerkung: | ANZ KIT |
|----------|--------------|----------------------|------------|---------|
| 1        | 532 18 67-80 | LENKRAD              |            | 1       |
| 2        | 532 19 56-73 | WELLE                |            | 1       |
| 3        | 532 16 98-40 | SPINDEL              |            | 1       |
| 4        | 532 16 98-39 | SPINDEL              |            | 1       |
| 5        | 532 12 49-31 | SCHEIBE              |            | 1       |
| 6        | 532 12 17-48 | SCHEIBE              |            | 1       |
| 7        | 819 27 20-16 | SCHEIBE              |            | 1       |
| 8        | 812 00 00-29 | SPRENGRING           |            | 1       |
| 9        | 532 12 49-37 | BEARING COL. STRG.   |            | 1       |
| 10       | 532 17 51-21 | STANGE               |            | 1       |
| 11       | 810 04 06-00 | SCHEIBE              |            | 1       |
| 13       | 532 13 65-18 | ROHR                 |            | 1       |
| 15       | 532 14 52-12 | MUTTER               |            | 1       |
| 17       | 532 19 07-53 | STANGE               |            | 1       |
| 26       | 532 12 68-47 | BUSHING              |            | 1       |
| 28       | 819 13 14-16 | SCHEIBE              |            | 1       |
| 29       | 817 00 06-12 | SCHRAUBE             |            | 1       |
| 30       | 876 02 04-12 | SPANNHÜLSE           |            | 1       |
| 32       | 532 19 27-57 | TIGE D'ASSEMBLAGE    |            | 1       |
| 34       | 810 04 05-00 | SCHEIBE              |            | 1       |
| 36       | 532 15 50-99 | BUSHING              |            | 1       |
| 37       | 532 15 29-27 | SCHRAUBE             |            | 1       |
| 38       | 532 19 29-16 | INSERT DE VOLANT     |            | 1       |
| 39       | 819 11 38-12 | SCHEIBE              |            | 1       |
| 40       | 873 54 06-00 | MUTTER               |            | 1       |
| 41       | 532 18 67-37 | ADAPTER              |            | 1       |
| 42       | 532 16 96-33 | HÜLSE                |            | 1       |
| 43       | 532 12 17-49 | SCHEIBE              |            | 1       |
| 44       | 532 19 07-52 | WELLE                |            | 1       |
| 46       | 532 12 12-32 | RADKAPPE             |            | 1       |
| 47       | 532 18 32-26 | NIPPEL               |            | 1       |
| 65       | 532 16 03-67 | ABSTANDSSCHEIBE      |            | 1       |
| 67       | 872 11 06-18 | BOLZEN               |            | 1       |
| 68       | 532 16 98-27 | WELLE                |            | 1       |
| 71       | 532 17 51-46 | STEERING GEAR        |            | 1       |
| 82       | 532 19 99-78 | SUPPORT ESSIEU AVANT |            | 1       |
| 88       | 532 17 51-18 | BOLZEN               |            | 1       |
| 91       | 532 17 55-53 | FEDER                |            | 1       |
| 95       | 532 18 89-67 | SCHEIBE              |            | 1       |
| 97       | 874 78 05-64 | BOLZEN               |            | 1       |



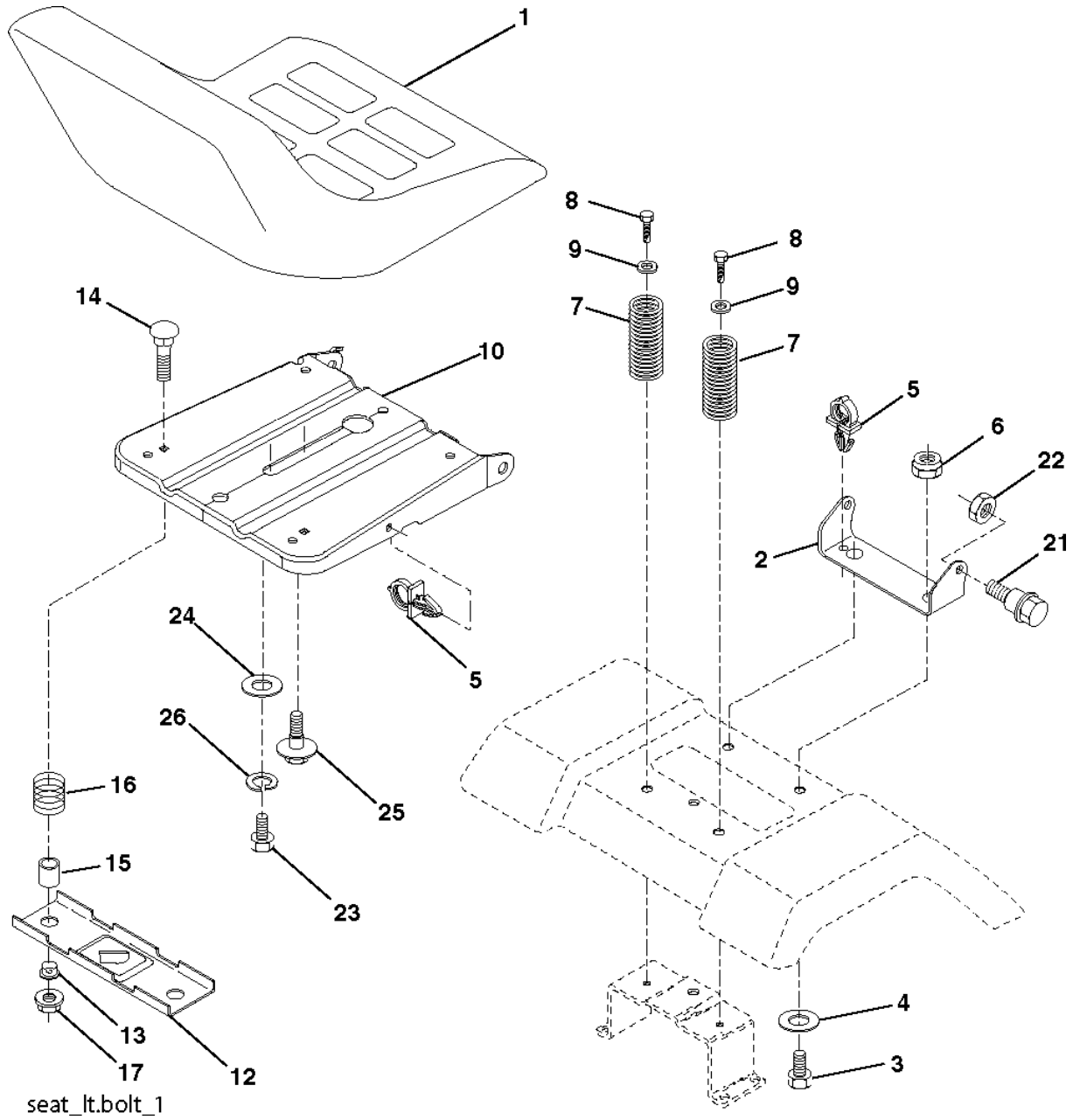


| Referenz | Teile Nr     | Beschreibung                 | Bemerkung:  | ANZ KIT |
|----------|--------------|------------------------------|---|---------|
| 1        | 532 19 25-56 | DECKEL                       |   | 1       |
| 2        | 872 14 05-06 | BOLZEN                       |   | 1       |
| 3        | 532 13 80-17 | BRACKE                       |   | 1       |
| 4        | 532 19 25-68 | SUPPORT CARTER ARRIERE       |   | 1       |
| 5        | 532 12 46-70 | RETAINING RING               |   | 1       |
| 6        | 532 17 80-24 | HEBEL                        |   | 1       |
| 7        | 873 80 05-00 | LOCK NUT                     |   | 1       |
| 8        | 532 19 30-03 | SCHRAUBE                     |   | 1       |
| 11       | 532 19 39-57 | RIDE ON BLADE                |   | 1       |
| 13       | 532 19 28-72 | KURBELWELLE                  |   | 1       |
| 14       | 532 18 72-81 | LAGERGEHÄUSE                 |   | 1       |
| 15       | 532 11 04-85 | LAGER                        |   | 1       |
| 18       | 872 14 05-05 | BOLZEN                       |   | 1       |
| 19       | 532 13 28-27 | SPEC. BOLT                   |   | 1       |
| 20       | 532 40 00-95 | PLATTE                       |   | 1       |
| 21       | 873 68 05-00 | MUTTER                       |   | 1       |
| 23       | 532 19 25-57 | SCHARNIER                    |   | 1       |
| 24       | 532 10 53-04 | RADKAPPE                     |   | 1       |
| 25       | 532 19 70-26 | TORSIONSFEDER                |   | 1       |
| 26       | 532 11 04-52 | MUTTER                       |   | 1       |
| 27       | 532 40 14-72 | DEFLEKTOR                    |   | 1       |
| 29       | 532 13 14-91 | WELLE                        |   | 1       |
| 30       | 532 17 39-84 | SCHRAUBE                     |   | 1       |
| 31       | 532 18 76-90 | SCHEIBE                      |   | 1       |
| 32       | 532 15 35-32 | RIEMENSCHLEIBE               |   | 1       |
| 33       | 532 40 02-34 | MUTTER                       |   | 1       |
| 36       | 532 13 14-94 | RIEMENSCHLEIBE               |   | 1       |
| 37       | 532 19 31-98 | RIEMENSCHLEIBE               |   | 1       |
| 40       | 873 68 06-00 | MUTTER                       |   | 1       |
| 45       | 532 12 47-88 | RETAINING RING               |   | 1       |
| 55       | 532 13 38-40 | HEBEL                        |   | 1       |
| 56       | 532 16 57-23 | ABSTANDSSCHLEIBE             |   | 1       |
| 67       | 532 10 69-32 | KNOPF                        |   | 1       |
| 68       | 532 19 32-14 | RIEMEN                       |   | 1       |
| 72       | 532 19 32-16 | RESSORT RETOUR FREIN DE LAME |   | 1       |
| 89       | 819 13 13-11 | SCHEIBE                      |   | 1       |
| 107      | 532 13 35-02 | ABSTANDSSCHLEIBE             |   | 1       |
| 108      | 532 13 35-03 | HEBEL                        |   | 1       |
| 122      | 532 19 25-75 | STANGE                       |   | 1       |
| 123      | 532 19 25-76 | STANGE                       |   | 1       |
| 144      | 532 19 34-14 | RIEMENFÜHRUNG                |   | 1       |
| 148      | 532 16 90-22 | FEDER                        |   | 1       |
| 149      | 532 16 58-98 | FEDER                        |   | 1       |
| 150      | 819 09 12-10 | SCHEIBE                      |   | 1       |
| 152      | 532 19 32-35 | KABEL                        |   | 1       |
| 158      | 817 72 04-08 | SCHRAUBE                     |   | 1       |
| 185      | 532 18 82-34 | HEAD ASM. CABLE CLUTCH       |   | 1       |
| 186      | 817 49 06-44 | SCHRAUBE                     |   | 1       |
| 187      | 532 19 34-12 | RIEMENFÜHRUNG                |   | 1       |
| 188      | 532 16 58-91 | BOLZEN                       |   | 1       |
| 189      | 532 19 25-59 | SUPPORT BRAS DE FREIN        |   | 1       |
| 190      | 532 19 25-60 | ARM                          |   | 1       |
| 191      | 532 19 25-61 | ABSTANDSSCHLEIBE             |   | 1       |
| 193      | 532 19 34-13 | RIEMENFÜHRUNG                |   | 1       |
| 194      | 532 19 41-05 | GARDE DE FREIN DE LAME       |   | 1       |
| 195      | 819 13 32-10 | SCHEIBE                      |   | 1       |
| 196      | 532 19 37-82 | BOLZEN                       |   | 1       |
| --       | 532 19 25-58 | FREIN DE LAME CPT.           | (Includes Stand, Arm and Guard Components)                              | 1       |
| --       | 532 19 28-70 | SPINDEL                      | (Includes Housing, Shaft and Shaft Hardware Only - Pulley Not Included) | 1       |
| --       | 532 19 36-46 | GEHÄUSE                      |   | 1       |



lift-rh.1piece\_27

| Referenz | Teile Nr     | Beschreibung        | Bemerkung: | ANZ KIT |
|----------|--------------|---------------------|------------|---------|
| 1        | 532 15 94-60 | KABEL               |            | 1       |
| 2        | 532 15 94-71 | HEBEL               |            | 1       |
| 3        | 532 10 57-67 | PIN RETAINING SCREW |            | 1       |
| 4        | 812 00 00-02 | RETAINING RING      |            | 1       |
| 5        | 819 21 16-21 | SCHEIBE             |            | 1       |
| 6        | 532 12 01-83 | LAGER               |            | 1       |
| 7        | 532 10 94-13 | GRIFF               |            | 1       |
| 8        | 532 12 45-26 | KNOPF               |            | 1       |
| 11       | 532 13 98-65 | GELENK              |            | 1       |
| 12       | 532 13 98-66 | GELENK              |            | 1       |
| 13       | 532 12 46-70 | RETAINING RING      |            | 1       |
| 15       | 532 17 32-88 | GELENK              |            | 1       |
| 16       | 873 35 08-00 | MUTTER              |            | 1       |
| 17       | 532 17 56-89 | HALTER              |            | 1       |
| 18       | 873 80 08-00 | MUTTER              |            | 1       |
| 19       | 532 13 98-68 | HEBEL               |            | 1       |
| 20       | 532 19 42-09 | FEDER               |            | 1       |
| 31       | 532 16 98-65 | LAGER               |            | 1       |
| 32       | 873 54 06-00 | MUTTER              |            | 1       |
| 55       | 532 19 42-08 | BOLZEN              |            | 1       |



| Referenz | Teile Nr     | Beschreibung                | Bemerkung: | ANZ KIT |
|----------|--------------|-----------------------------|------------|---------|
| 1        | 532 40 10-42 | SIEGE CONDUCTEUR            |            | 1       |
| 2        | 532 14 05-51 | HALTER                      |            | 1       |
| 3        | 871 11 06-16 | SCHRAUBE                    |            | 1       |
| 4        | 819 13 16-10 | SCHEIBE                     |            | 1       |
| 5        | 532 14 50-06 | KLAMMER                     |            | 1       |
| 6        | 873 80 06-00 | MUTTER                      |            | 1       |
| 7        | 532 12 41-81 | FEDER                       |            | 1       |
| 8        | 817 00 06-16 | SCHRAUBE                    |            | 1       |
| 9        | 819 13 16-14 | SCHEIBE                     |            | 1       |
| 10       | 532 19 55-30 | BERCEAU DE SIEGE CONDUCTEUR |            | 1       |
| 12       | 532 17 46-48 | HALTER                      |            | 1       |
| 13       | 532 12 12-48 | BUSHING                     |            | 1       |
| 14       | 872 05 04-12 | BOLZEN                      |            | 1       |
| 15       | 532 13 43-00 | ABSTANDSSCHEIBE             |            | 1       |
| 16       | 532 12 12-50 | FEDER                       |            | 1       |
| 17       | 532 12 39-76 | LOCKNUT                     |            | 1       |
| 21       | 532 17 18-52 | BOLZEN                      |            | 1       |
| 22       | 873 80 05-00 | LOCK NUT                    |            | 1       |
| 23       | 871 11 08-14 | BOLZEN                      |            | 1       |
| 24       | 819 17 19-12 | SCHEIBE                     |            | 1       |
| 25       | 532 12 70-18 | BOLZEN                      |            | 1       |
| 26       | 810 04 08-00 | SCHEIBE                     |            | 1       |