

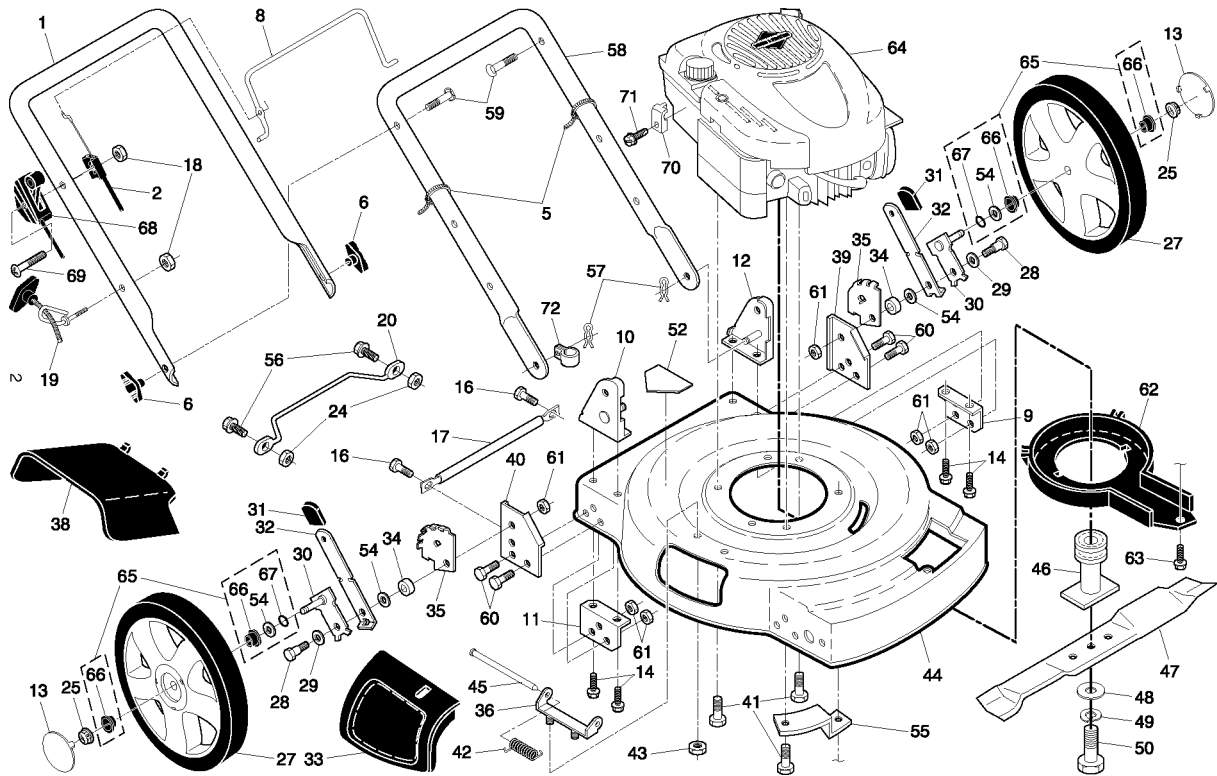


# SPARE PARTS LIST

LAWN MOWERS: CONSUMER  
WALK-BEHINDS

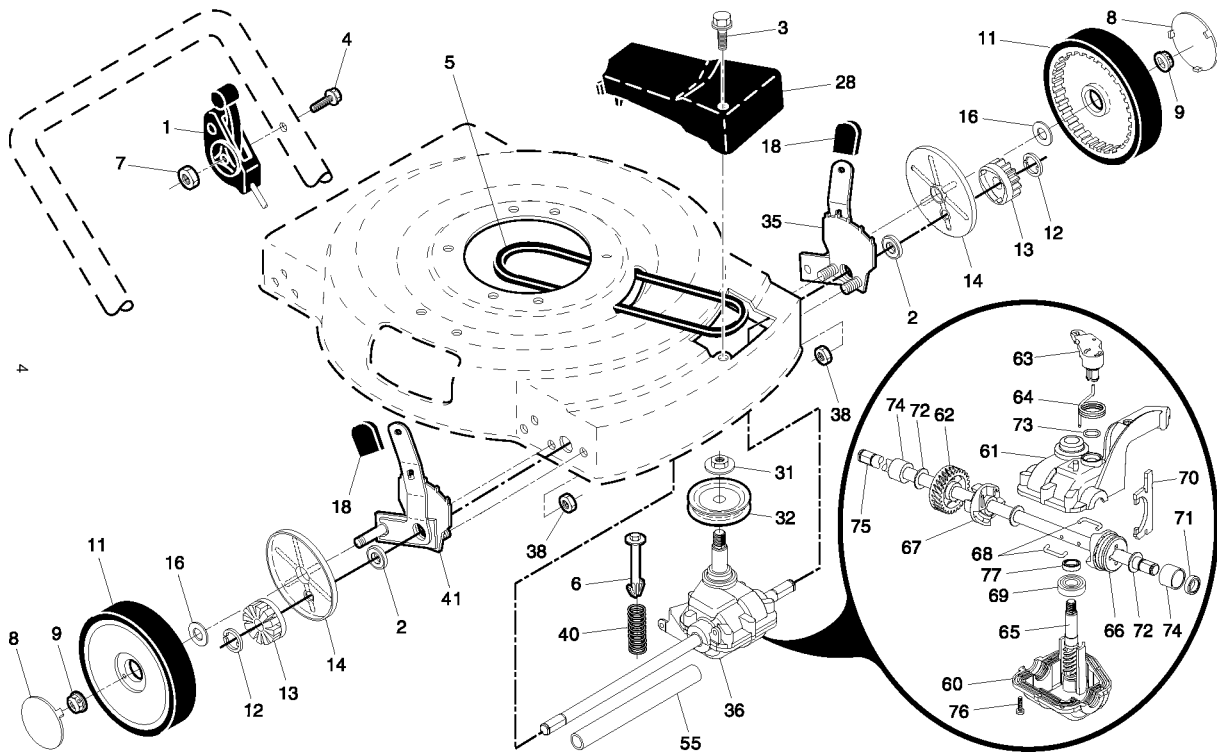
PP6556 SM, 96121000300, 2008-09

ROTARY LAWN MOWER - - CUSTOMER MODEL NO. **PP6556SM** (96121000300) PRODUCT NO. 961 21 00-03



Referenz	Teile Nr	Beschreibung	Bemerkung:	ANZ KIT
1	532 17 76-98	EINSTELLHEBEL		1
2	532 14 92-93	KABEL		1
5	532 06 64-26	HOOP		1
6	532 19 19-38	KNOPF		1
8	532 14 67-71	ÖSE		1
9	532 19 58-00	HALTER		1
10	532 17 09-77	HALTER		1
11	532 19 57-99	HALTER		1
12	532 17 09-75	HALTER		1
13	532 19 18-53	RADKAPPE		1
14	532 14 97-41	SCHRAUBE		1
16	532 05 45-83	SCHRAUBE		1
17	532 17 71-41	SUPPORT ROD		1
18	532 13 20-04	MUTTER		1
19	532 17 95-85	HOLDER		1
20	532 15 41-47	PROTECTOR		1
24	532 06 91-80	MUTTER		1
25	532 08 39-23	MUTTER		1
27	532 18 94-24	WHEEL & TIRE ASSEMBLY		1
28	532 14 27-48	BOLZEN		1
29	532 06 16-51	SCHEIBE		1
30	532 16 22-33	AXLE ARM ASM		1
31	532 08 78-77	KNOPF		1
32	532 14 17-30	FEDER		1
33	532 15 18-89	SCHUTZ		1
34	532 14 66-30	ABSTANDSSCHEIBE		1
35	532 15 50-47	SEGMENT		1
36	532 15 41-32	HALTER		1
38	532 17 65-09	DEFL ECTOR, DISCHARGE		1
39	532 17 80-66	WHEEL SUPPORT BRKT(L)		1
40	532 17 80-65	WHEEL SUPPORT BRKT(R)		1
41	532 15 04-06	BOLZEN		1
42	532 15 21-24	FEDER		1
43	873 80 04-00	MUTTER		1
44	532 19 47-08	LAWN MOWER HOUSING	(Includes Key Number 52)	1
45	532 14 72-86	STANGE		1
46	532 18 91-79	ADAPTER		1
47	532 19 26-82	MOWER BLADE		1
48	532 85 10-74	SCHEIBE		1
49	532 85 02-63	SCHEIBE		1
52	532 18 21-66	Folie		1
54	532 08 83-48	SCHEIBE		1
55	532 19 09-39	MOUNTING BRACKET, DEBRI		1
56	532 08 58-25	SCHRAUBE		1
57	532 05 17-93	PIN RETAINING SCREW		1
58	532 15 50-44	EINSTELLHEBEL		1
59	532 19 15-74	HANDLE BOLT		1
60	874 76 06-12	BOLZEN		1
61	532 75 15-92	LOCKNUT 3/8-16 RL508A/B		1
62	532 18 87-84	DECKEL		1
63	532 19 23-25	SCHRAUBE		1
65	532 19 34-98	KIT, BUSHING		1
66	532 19 36-96	LAGER		1
67	532 18 81-52	O-RING		1
68	532 18 21-57	THROTTLE TRIGGER		1
69	532 18 33-65	SCHRAUBE		1
70	532 11 11-90	KLEMME		1
71	532 08 38-16	SCHRAUBE		1
72	532 19 27-70	KLAMMER		1
--	532 18 21-91	LABEL WARNING	Warning Decal (not shown)	1
--	GCK5000	9540518-01 GRASS CATCHER	Grass Catcher Assembly	1

ROTARY LAWN MOWER - - CUSTOMER MODEL NO. **PP6556SM** (96121000300) PRODUCT NO. 961 21 00-03



## ANTRIEB

PP6556 SM, 96121000300, 2008-09

Referenz	Teile Nr	Beschreibung	Bemerkung:	ANZ KIT
1	532 18 45-88	BEDIENELEMENT		1
2	532 08 80-58	LAGER		1
3	532 14 36-03	SCHRAUBE		1
4	532 15 87-55	SCHRAUBE		1
5	532 14 65-27	RIEMEN		1
6	532 15 04-95	PIN RETAINING SCREW		1
7	532 19 17-30	MUTTER		1
8	532 18 06-26	RADKAPPE		1
9	532 08 39-23	MUTTER		1
11	532 15 71-79	LAUFRAD		1
12	812 00 00-58	FEDERRING		1
13	532 13 70-54	TREIBBRAD		1
14	532 18 94-03	STAUBSCHUTZ		1
16	532 06 77-25	SCHEIBE		1
18	532 13 28-00	KNOPF		1
28	532 19 58-11	DECKEL		1
31	532 13 20-10	MUTTER		1
32	532 18 94-07	RIEMENSCHLEIBE		1
35	532 15 15-21	EINSTELLVORRICHTUNG	(Includes Knob and Bearing)	1
36	532 18 72-11	GEARBOX		1
38	873 80 04-00	MUTTER		1
40	532 13 70-90	FEDER		1
41	532 15 15-20	EINSTELLVORRICHTUNG	(Includes Knob and Bearing)	1
55	532 08 60-12	WELLE		1
60	532 18 34-97	BEHÄLTER	(Use Dow Corning #709 to reseal)	1
61	532 18 34-98	GEHÄUSE	(Use Dow Corning #709 to reseal)	1
62	532 18 34-99	STUFENRAD A		1
63	532 18 35-00	HEBEL		1
64	532 18 35-01	FEDER		1
65	532 18 35-02	WELLE		1
66	532 18 35-03	DOG, MOVABLE		1
67	532 18 35-04	DOG, FIXED		1
68	532 18 35-05	WIRE, FORMED		1
69	532 18 35-06	KUGELLAGER		1
70	532 18 35-07	GABEL		1
71	532 18 35-08	SEAL, OUTPUT SHAFT		1
72	532 18 35-09	SCHEIBE		1
73	532 18 35-10	SEAL, CASE		1
74	532 18 35-11	BUSHING		1
75	532 18 75-21	WELLE		1
76	532 18 35-13	SCHRAUBE		1
77	532 18 35-14	SEAL, INPUT SHAFT		1