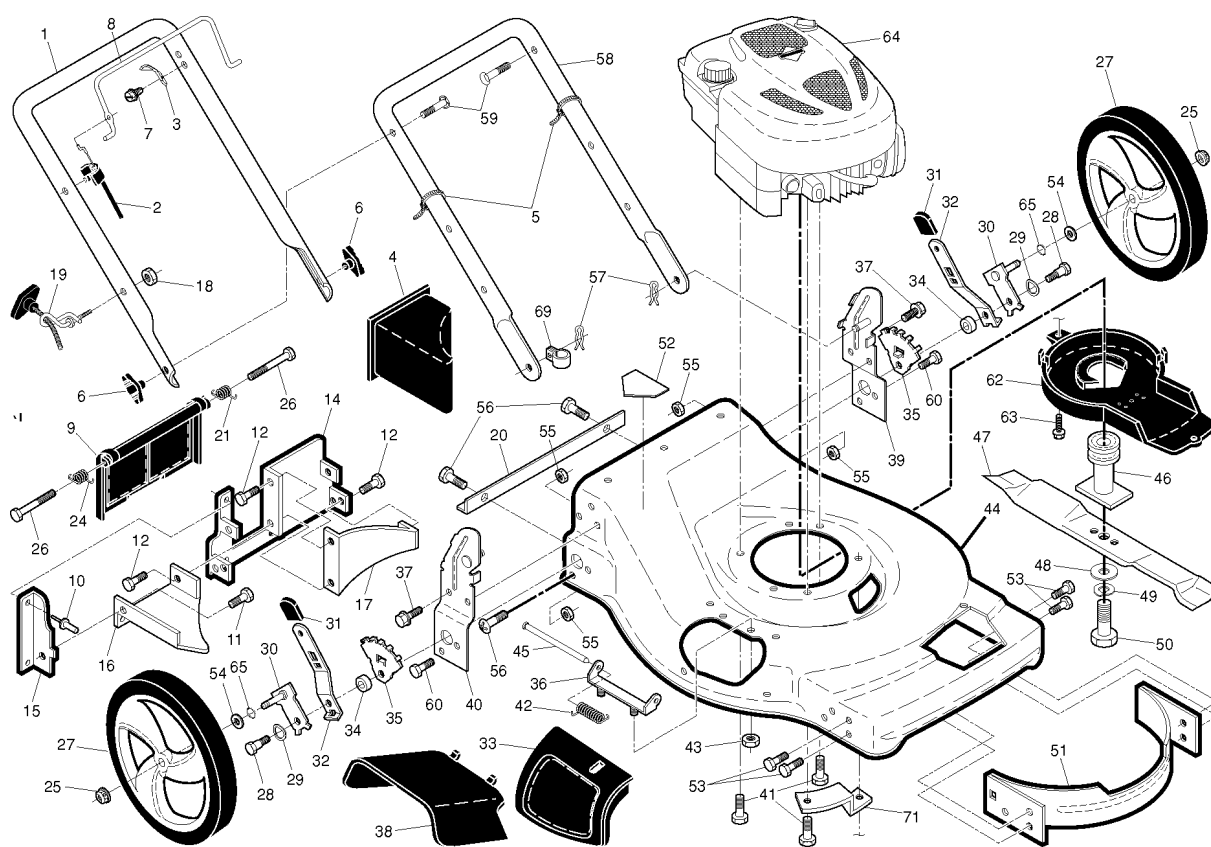




SPARE PARTS LIST

LAWN MOWERS: CONSUMER
WALK-BEHINDS

P6556D, 96141013800, 2010-01

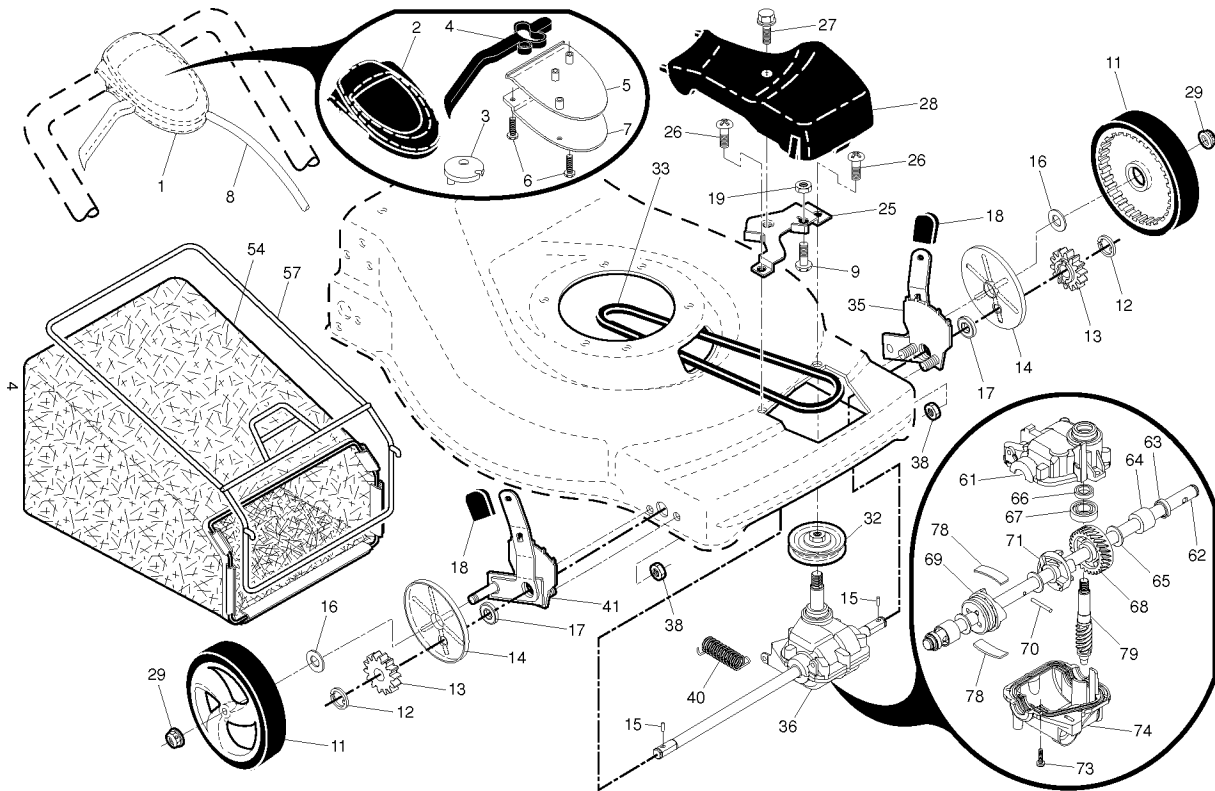


RAHMEN

P6556D, 96141013800, 2010-01

Referenz	Teile Nr	Beschreibung	Bemerkung:	ANZ KIT
1	532 40 30-71	EINSTELLHEBEL		1
2	532 18 35-67	KABEL		1
3	532 12 51-62	PLATTE		1
4	532 16 66-49	MULCHER PLUG		1
5	532 06 64-26	HOOP		1
6	532 19 19-38	KNOPF		1
7	532 75 06-34	SCHRAUBE		1
8	532 40 29-32	BEDIENELEMENT		1
9	532 40 84-92	TUERREGAL		1
10	532 12 84-15	NIETE		1
11	532 15 00-50	SCHRAUBE		1
12	532 05 45-83	SCHRAUBE		1
14	532 19 70-76	PLATE.BACK		1
15	532 41 13-34	SIDE BAFFLE		1
16	532 17 71-33	PLATTE		1
17	532 14 89-41	PLATTE		1
18	532 13 20-04	MUTTER		1
19	532 19 47-88	FÜHRUNG		1
20	532 14 76-25	PROTECTOR		1
21	532 40 54-21	FEDER		1
24	532 40 54-23	FEDER		1
25	532 40 91-49	MUTTER		1
26	532 18 41-93	BOLZEN		1
27	532 40 29-35	LAUFRAD		1
28	532 14 27-48	BOLZEN		1
29	532 40 16-30	SCHEIBE		1
30	532 40 65-82	ACHSE		1
31	532 70 10-37	KNOPF		1
32	532 40 98-89	SELECTOR SPRING		1
33	532 19 60-53	MULCHER DOOR		1
34	532 40 16-29	ABSTANDSSCHEIBE		1
35	532 41 06-26	WHEEL ADJ BRACKET		1
36	532 17 57-35	SCHARNIER		1
37	532 15 00-78	SCHRAUBE		1
38	532 40 30-73	DEFLEKTOR		1
39	532 19 71-50	BRKT.ASM.HND		1
40	532 19 71-51	BRKT.ASM.HND		1
41	532 15 04-06	BOLZEN		1
42	532 19 30-00	SCHARNIER		1
43	873 80 04-00	MUTTER		1
44	532 40 96-25	SATZ	(Includes Key Numbers 14, 15 and 51)	1
45	532 17 56-50	STANGE		1
46	532 19 40-37	ADAPTER		1
47	532 19 93-79	MOWER BLADE		1
48	532 85 10-74	SCHEIBE		1
49	532 85 02-63	SCHEIBE		1
50	532 85 10-84	SCHRAUBE		1
51	532 17 04-91	PLATTE		1
52	532 18 21-66	Folie		1
53	817 60 04-06	SCHRAUBE		1
54	532 08 83-48	SCHEIBE		1
55	532 75 15-92	LOCKNUT 3/8-16 RL508A/B		1
56	532 14 66-94	SCHRAUBE		1
57	532 05 17-93	PIN RETAINING SCREW		1
58	532 15 50-44	EINSTELLHEBEL		1
59	532 19 15-74	HANDLE BOLT		1
60	874 76 06-12	BOLZEN		1
61	532 75 15-92	LOCKNUT 3/8-16 RL508A/B		1
62	532 40 58-42	DEBRIS SHIELD		1
63	532 19 23-25	SCHRAUBE		1
65	532 19 74-80	O-RING		1
69	532 19 79-91	KLAMMER		1
71	532 19 09-39	MOUNTING BRACKET, DEBRI		1
--	532 18 21-91	LABEL WARNING	(not shown)	1

ROTARY LAWN MOWER - - MODEL NUMBER **P6556D** (96141013800) - PRODUCT NUMBER 961 41 01-38



ANTRIEB

P6556D, 96141013800, 2010-01

Referenz	Teile Nr	Beschreibung	Bemerkung:	ANZ KIT
1	532 40 73-41	ANTRIEBSKONTROLLE	(Includes Cable)	1
2	532 41 16-73	DECKEL		1
3	532 40 62-82	RIEMENSCHLEIBE		1
4	532 19 00-39	HEBEL		1
5	532 41 16-64	DECKEL		1
6	532 18 16-98	SCHRAUBE		1
7	532 40 07-23	HALTER		1
8	532 40 62-59	KABELSATZ		1
9	532 19 17-30	MUTTER		1
11	532 40 29-36	LAUFRAD		1
12	812 00 00-58	FEDERRING		1
13	532 40 38-49	TREIBBRAD		1
14	532 18 94-03	STAUBSCHUTZ		1
15	532 19 10-17	PAWL, DRIVE		1
16	532 06 77-25	SCHEIBE		1
17	532 19 10-39	LAGER		1
18	532 70 10-37	KNOPF		1
19	532 08 86-52	SCHRAUBE		1
25	532 19 73-86	RIEMENFÜHRUNG		1
26	532 19 23-25	SCHRAUBE		1
27	532 17 52-62	PAN HEAD TAPPING SCREW		1
28	532 19 60-56	DRIVE COVER		1
29	532 40 91-48	MUTTER		1
32	532 19 40-18	RIEMENSCHLEIBE		1
33	532 19 68-57	BELT DRIVE		1
35	532 40 88-62	WHEEL ADJ KIT LH	(Includes Knob and Bearing)	1
36	532 40 48-34	GEARCASE ASSY, COMPLETE		1
38	873 80 04-00	MUTTER		1
40	532 40 65-58	FEDER		1
41	532 40 88-61	WHEEL ADJ KIT RH	(Includes Knob and Bearing)	1
54	532 40 93-25	GBAG.84710010.BLK.GEN.*SUBS/2*		1
57	532 40 74-54	RAHMEN		1
61	532 41 07-26	BEHÄLTER		1
62	532 41 07-28	WELLE		1
63	532 18 35-08	SEAL, OUTPUT SHAFT		1
64	532 18 35-11	BUSHING		1
65	532 18 35-09	SCHEIBE		1
66	532 18 35-14	SEAL, INPUT SHAFT		1
67	532 18 35-06	KUGELLAGER		1
68	532 41 07-29	STUFENRAD A		1
69	532 41 07-32	FIXED DOG CLUTCH		1
70	532 41 07-33	KOLBEN		1
71	532 41 07-30	MOVEABLE DOG CLUTCH		1
73	532 18 35-13	SCHRAUBE		1
74	532 41 07-34	BEHÄLTER		1
78	532 41 07-31	FEDER		1
79	532 41 07-27	SHAFT WORM		1