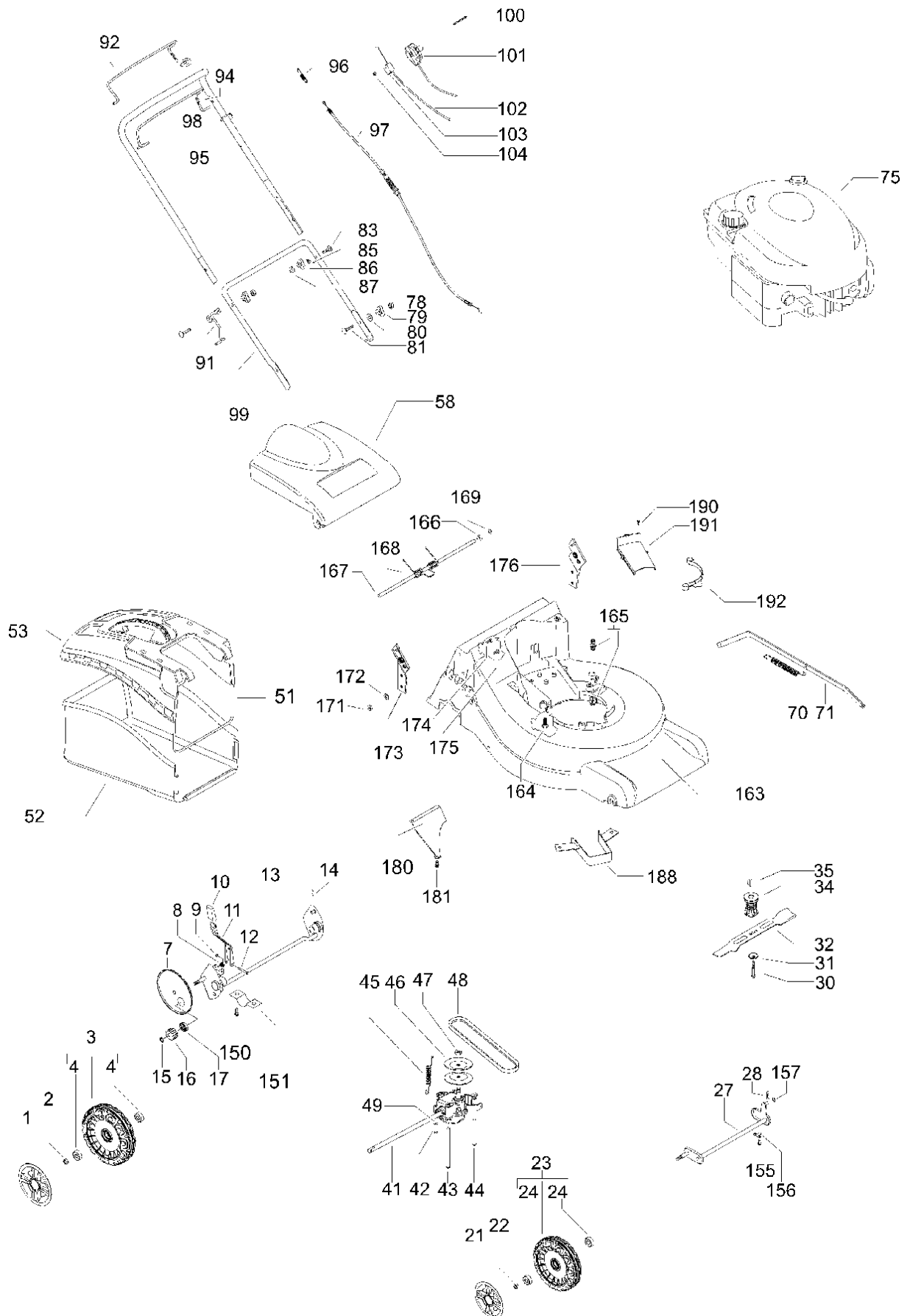




SPARE PARTS LIST

LAWN MOWERS: CONSUMER
WALK-BEHINDS

P6053 AD, 966849901, 2008-08



| Referenz | Teile Nr | Beschreibung | Bemerkung: | ANZ KIT |
|----------|--------------|-------------------------|------------|---------|
| 1 | 544 44 62-04 | RADKAPPE | | 2 |
| 2 | 504 85 78-01 | MUTTER | | 2 |
| 3 | 544 91 69-01 | RAD KPL. | | 2 |
| 4 | 504 54 82-01 | KUGELLAGER | | 2 |
| 7 | 504 82 73-01 | STAUBSCHUTZ | | 2 |
| 8 | 531 21 08-17 | FEDER | | 1 |
| 9 | 531 20 84-92 | MUTTER | | 1 |
| 10 | 531 20 79-86 | KNOPF | | 1 |
| 11 | 501 97 99-01 | HUBHEBEL KPL. | | 1 |
| 12 | 538 23 58-07 | SCHRAUBE | | 1 |
| 13 | 504 80 01-01 | HINTERACHSE | | 1 |
| 14 | 531 20 66-53 | BOLZEN | | 1 |
| 15 | 531 20 87-72 | SCHEIBE | | 2 |
| 16 | 544 34 23-01 | TREIBBRAD | | 2 |
| 17 | 531 20 87-78 | LAGER | | 2 |
| 21 | 544 44 76-04 | RADKAPPE | | 2 |
| 22 | 504 85 78-01 | MUTTER | | 2 |
| 23 | 544 91 73-01 | RAD KPL. | | 2 |
| 24 | 531 20 87-78 | LAGER | | 2 |
| 27 | 504 85 65-01 | VORDERACHSE KPL. | | 1 |
| 28 | 531 20 66-53 | BOLZEN | | 1 |
| 30 | 531 20 66-49 | SCHRAUBE | | 1 |
| 31 | 531 20 72-37 | SCHEIBE | | 1 |
| 32 | 504 11 33-10 | MESSER | | 1 |
| 34 | 531 20 78-48 | STÜTZE | | 1 |
| 35 | 505 29 09-01 | TASTE | | 1 |
| 41 | 544 42 89-03 | GEARBOX | | 1 |
| 42 | 538 24 08-62 | SCHRAUBE | | 2 |
| 43 | 504 10 32-01 | RIEMENFÜHRUNG | | 1 |
| 44 | 544 93 43-01 | RIEMENFÜHRUNG | | 1 |
| 45 | 544 93 47-01 | FEDER | | 1 |
| 46 | 504 54 79-01 | RIEMENSCHLEIBE | | 2 |
| 47 | 504 54 80-01 | MUTTER | | 1 |
| 48 | 504 03 51-01 | RIEMEN | | 1 |
| 49 | 531 20 71-70 | SCHEIBE | | 2 |
| 51 | 501 32 24-01 | RAHMEN | | 1 |
| 52 | 531 21 32-11 | TASCHE | | 1 |
| 53 | 501 32 21-01 | DECKEL | | 1 |
| 58 | 501 32 23-04 | DEFLEKTOR | | 1 |
| 70 | 531 20 57-15 | FEDER | | 1 |
| 71 | 531 21 32-22 | STANGE | | 1 |
| 78 | 531 20 79-82 | MUTTER | | 1 |
| 79 | 531 20 49-23 | FLÜGELMUTTER | | 2 |
| 80 | 531 20 49-22 | SCHEIBE | | 2 |
| 81 | 531 20 49-21 | SCHRAUBE | | 2 |
| 83 | 531 20 70-89 | SCHRAUBE | | 2 |
| 85 | 531 20 70-90 | SCHEIBE | | 1 |
| 86 | 531 20 49-23 | FLÜGELMUTTER | | 2 |
| 87 | 531 20 79-82 | MUTTER | | 2 |
| 91 | 504 70 86-01 | HAKEN | | 1 |
| 92 | 504 70 84-01 | EINSTELLHEBEL | | 1 |
| 94 | 504 70 83-01 | EINSTELLHEBEL | | 1 |
| 95 | 504 70 80-01 | EINSTELLHEBEL | | 1 |
| 96 | 531 21 05-73 | FEDER | | 1 |
| 97 | 544 90 80-02 | KABEL | | 1 |
| 98 | 531 20 55-81 | KLAMMER | | 2 |
| 99 | 531 20 51-18 | MANICO SUPERIORE 646CVS | | 1 |
| 100 | 531 21 35-17 | SCHRAUBE | | 1 |
| 101 | 531 20 62-10 | GASGRIFF | | 1 |
| 102 | 531 21 35-22 | BREMSLEITUNG | | 1 |
| 103 | 531 20 80-43 | HALTER | | 1 |
| 104 | 531 20 84-91 | MUTTER | | 1 |
| 150 | 531 20 73-85 | SCHRAUBE | | 4 |
| 151 | 531 20 66-52 | STÜTZE | | 2 |

| Referenz | Teile Nr | Beschreibung | Bemerkung: | ANZ KIT |
|----------|--------------|-----------------|------------|---------|
| 155 | 531 20 78-56 | SCHRAUBE | | 4 |
| 156 | 531 20 55-36 | STÜTZE | | 2 |
| 157 | 531 20 49-06 | SCHEIBE | | 2 |
| 163 | 531 21 32-05 | RAHMEN | | 1 |
| 164 | 531 21 38-45 | SCHRAUBE | | 3 |
| 165 | 531 20 58-48 | KONTAKTSTÜCK | | 1 |
| 166 | 531 21 19-66 | ABSTANDSSCHEIBE | | 1 |
| 167 | 531 21 33-44 | WELLE | | 1 |
| 168 | 501 32 25-01 | FEDER | | 1 |
| 169 | 531 20 76-57 | RETAINING RING | | 2 |
| 171 | 531 20 79-82 | MUTTER | | 4 |
| 172 | 531 20 79-81 | SCHEIBE | | 4 |
| 173 | 531 20 65-36 | STÜTZE | | 1 |
| 174 | 531 20 57-41 | SCHRAUBE | | 2 |
| 175 | 531 20 49-21 | SCHRAUBE | | 2 |
| 176 | 531 20 65-38 | STÜTZE | | 1 |
| 180 | 501 96 60-01 | DEFLEKTOR | | 1 |
| 181 | 531 20 78-56 | SCHRAUBE | | 3 |
| 188 | 544 46 86-01 | RIEMENFÜHRUNG | | 1 |
| 190 | 531 20 78-56 | SCHRAUBE | | 2 |
| 191 | 531 21 32-25 | DECKEL | | 1 |
| 192 | 531 20 63-08 | MITNEHMERKLINKE | | 1 |