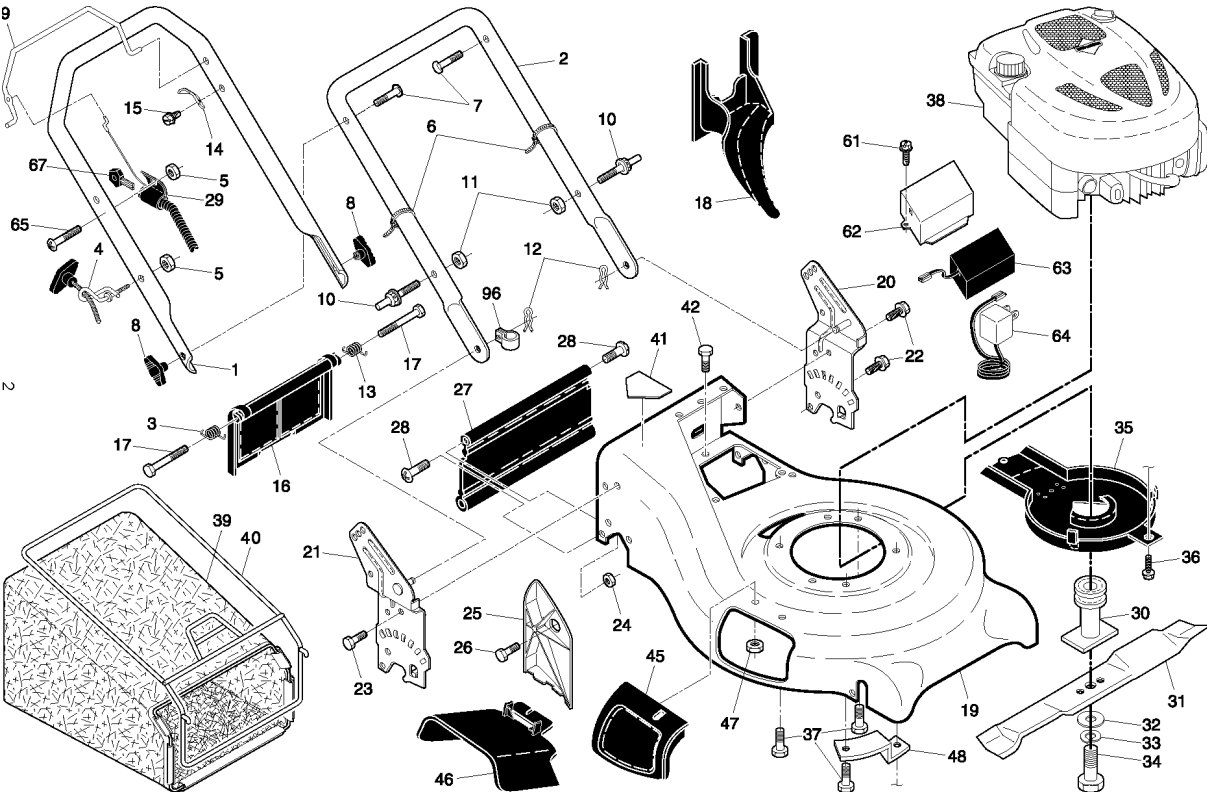




SPARE PARTS LIST

LAWN MOWERS: CONSUMER
WALK-BEHINDS

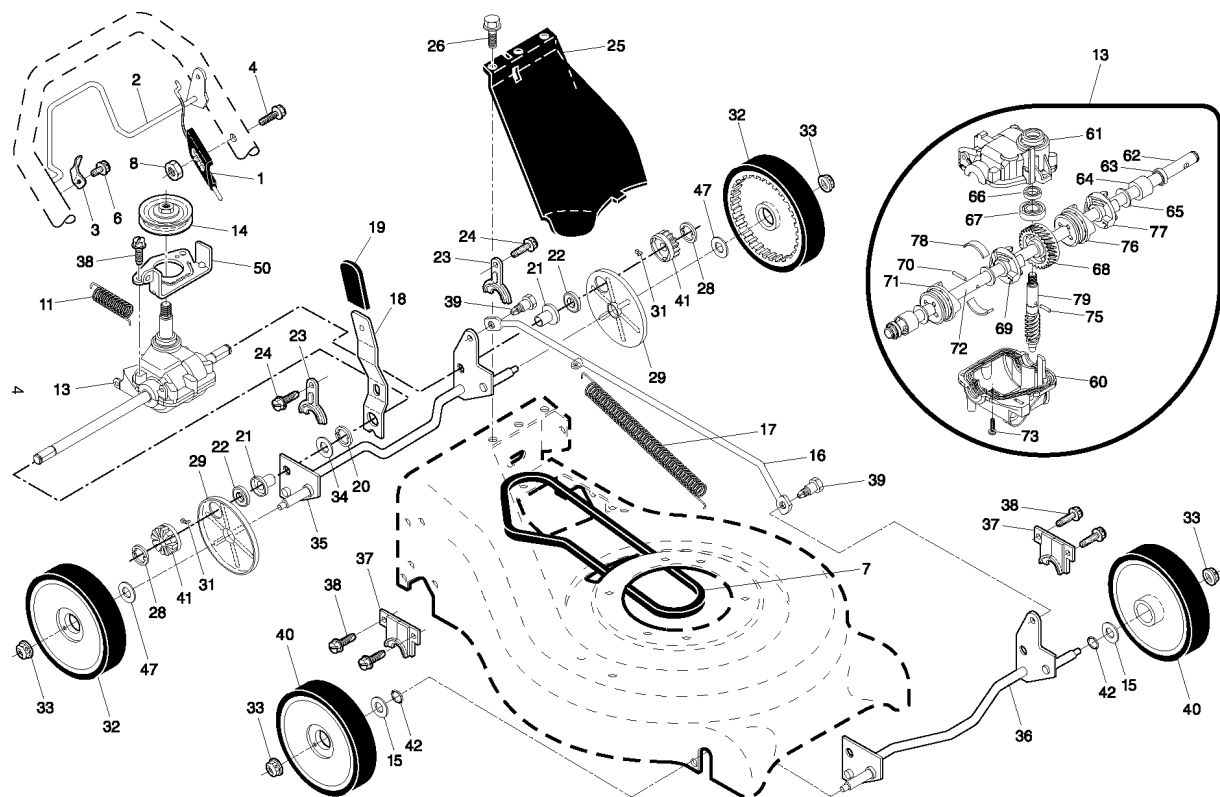
P553 CME, 96141011403, 2008-03



RAHMEN

P553 CME, 96141011403, 2008-03

Referenz	Teile Nr	Beschreibung	Bemerkung:	ANZ KIT
1	532 17 80-67	EINSTELLHEBEL		1
2	532 19 60-05	EINSTELLHEBEL		1
3	532 40 54-16	FEDER		1
4	532 19 47-88	FÜHRUNG		1
5	532 13 20-04	MUTTER		1
6	532 06 64-26	HOOP		1
7	532 19 15-74	HANDLE BOLT		1
8	532 19 19-38	KNOPF		1
9	532 19 18-19	REGULIERUNG		1
10	532 18 88-21	BOLZEN		1
11	532 75 11-53	LOCKNUT 5/16-18 RL550HVA		1
12	532 05 17-93	PIN RETAINING SCREW		1
13	532 40 54-15	FEDER		1
14	532 12 51-62	PLATTE		1
15	532 75 06-34	SCHRAUBE		1
16	532 40 88-88	DEFLEKTOR		1
17	532 18 41-93	BOLZEN		1
18	532 19 81-70	STOPFEN		1
19	532 40 97-33	KIT.HSG.21.AW/V.S.RGD.M*SUBS/2*		1
20	532 19 40-29	HALTER		1
21	532 19 40-31	HALTER		1
22	532 15 00-78	SCHRAUBE		1
23	532 16 31-83	BOLZEN		1
24	873 80 05-00	LOCK NUT		1
25	532 16 13-33	PLATTE		1
26	532 16 34-09	SCHRAUBE		1
29	532 19 49-53	BEDIENELEMENT	(Includes Key)	1
30	532 18 91-79	ADAPTER		1
31	532 19 93-77	MOWER BLADE		1
32	532 85 10-74	SCHEIBE		1
33	532 85 02-63	SCHEIBE		1
34	532 85 10-84	SCHRAUBE		1
35	532 40 58-43	SHEILD		1
36	532 19 23-25	SCHRAUBE		1
37	532 15 04-06	BOLZEN		1
38	000 00 00-00	W/O DESCRIPTION	B&S 12F805-1974-EA FOR SERVICE & PARTS 1-800-233-3723	1
39	532 41 06-76	GRASSBAG		1
40	532 40 74-53	RAHMEN		1
41	532 18 21-66	Folie		1
42	532 05 45-83	SCHRAUBE		1
45	532 19 13-41	PORTE*RPL.PAR 532183058		1
46	532 19 12-10	DEFLEC*RPL.PAR 532169699428		1
47	532 08 83-49	MUTTER		1
48	532 19 09-39	MOUNTING BRACKET, DEBRI		1
61	532 16 34-09	SCHRAUBE		1
62	532 40 80-02	BOX.BATTERY.21RD.RWGD *SUBS/2*		1
63	532 18 95-89	BATTERIE		1
64	532 19 24-36	BATTERIELADEGERÄT		1
65	532 18 61-59	SCHRAUBE		1
67	532 18 03-31	TASTE		1
96	532 19 79-91	KLAMMER		1
--	532 18 21-34	DECALC."WARNING"		1



ANTRIEB

P553 CME, 96141011403, 2008-03

Referenz	Teile Nr	Beschreibung	Bemerkung:	ANZ KIT
1	532 40 65-31	KABEL		1
2	532 16 14-73	ÖSE		1
3	532 16 45-57	STOPP		1
4	532 19 96-87	SCHRAUBE		1
6	532 75 06-34	SCHRAUBE		1
7	532 40 65-57	RIEMEN		1
8	532 19 17-30	MUTTER		1
11	532 40 65-58	FEDER		1
13	532 40 48-39	GEAR CASE		1
14	532 40 57-03	RIEMENSCHLEIBE		1
15	532 08 83-48	SCHEIBE		1
16	532 40 71-47	STANGE		1
17	532 40 96-16	FEDER		1
18	532 19 61-62	BEDIENELEMENT		1
19	532 19 00-69	KNOPF		1
20	812 00 00-22	RETAINING RING		1
21	532 41 24-50	LAGERBLOCK		1
22	532 19 10-39	LAGER		1
23	532 16 45-55	HALTER		1
24	532 05 78-08	SCHRAUBE		1
25	532 41 39-30	DECKEL		1
26	532 75 06-34	SCHRAUBE		1
28	812 00 00-58	FEDERRING		1
29	532 18 94-03	STAUBSCHUTZ		1
31	532 40 48-45	PAWL, DRIVE		1
32	532 41 41-57	LAUFRAD		1
33	532 40 91-48	MUTTER		1
34	532 85 12-26	SCHEIBE		1
35	532 41 09-22	WELLE		1
36	532 41 09-33	WELLE		1
37	532 16 14-63	HALTER		1
38	532 16 34-09	SCHRAUBE		1
39	532 40 70-59	SHOULDER BOLT SEMI GIMLET PT.		1
40	532 41 44-93	WHEEL.8X1.75.5SPK.RAD3*SUBS/2*		1
41	532 40 48-35	TREIBRAD		1
42	532 19 74-80	O-RING		1
47	532 06 77-25	SCHEIBE		1
50	532 41 37-22	BRACKET.BELT.KEEPE/AUT*SUBS/2*		1
60	532 41 27-47	BEHÄLTER		1
61	532 41 27-36	BEHÄLTER		1
62	532 41 27-57	SHAFT OUTPUT LONG		1
63	532 18 35-08	SEAL, OUTPUT SHAFT		1
64	532 18 35-11	BUSHING		1
65	532 18 35-09	SCHEIBE		1
66	532 18 35-14	SEAL, INPUT SHAFT		1
67	532 18 35-06	KUGELLAGER		1
68	532 41 27-42	STUFENRAD A		1
69	532 41 27-39	FIXED DOG CLUTCH LH		1
70	532 41 27-41	PIN 7 33732		1
71	532 41 27-40	MOVEABLE DOG CLUTCH LH		1
72	532 41 27-56	SHAFT OUTPUT SHORT		1
73	532 18 35-13	SCHRAUBE		1
75	532 41 27-46	PIN 3.50.337		1
76	532 41 27-44	FIXED DOG CLUTCH RH		1
77	532 41 27-43	MOVEABLE DOG CLUTCH RH		1
78	532 41 07-31	FEDER		1
79	532 41 27-37	SHAFT WORM		1