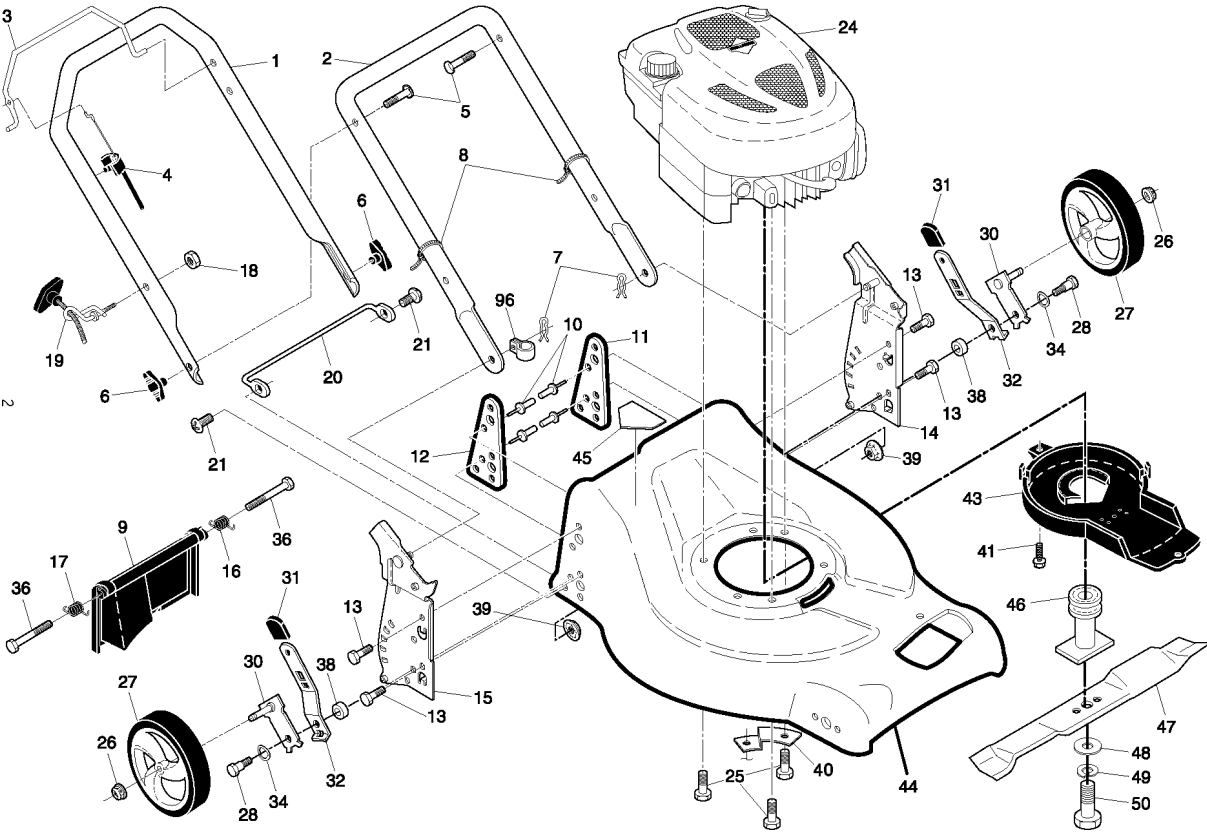




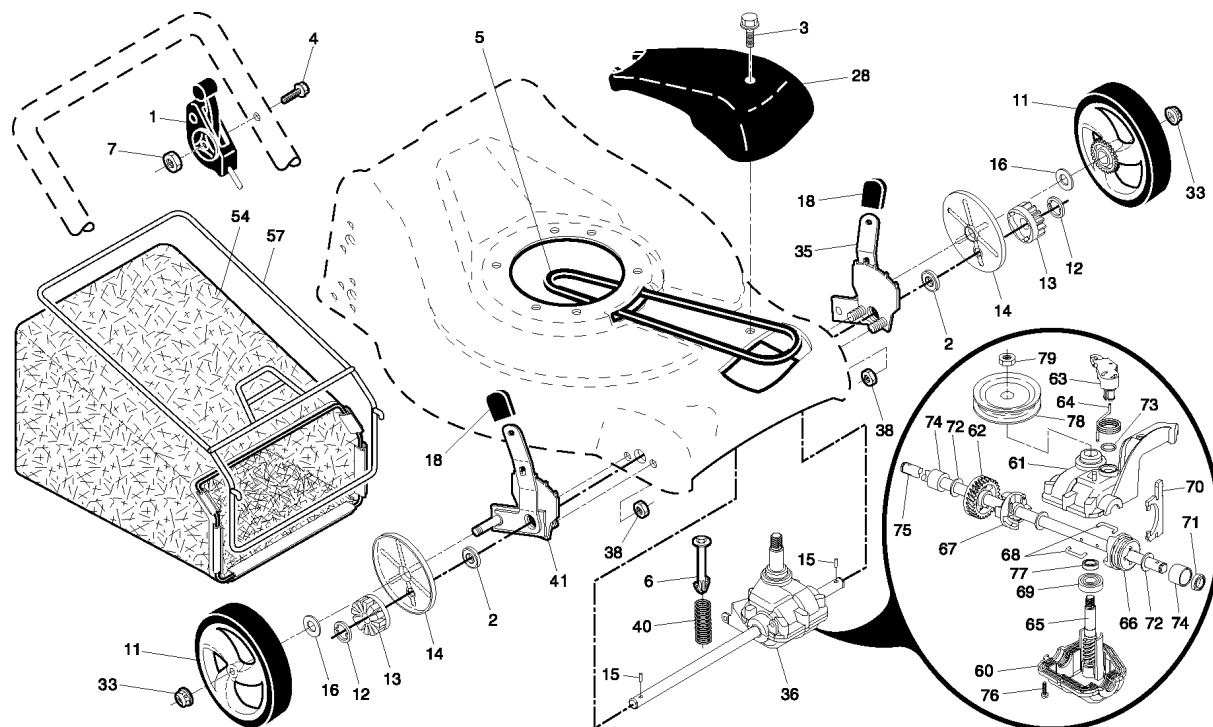
SPARE PARTS LIST

LAWN MOWERS: CONSUMER
WALK-BEHINDS

P53-650CMD, 96141007705, 2008-09



Referenz	Teile Nr	Beschreibung	Bemerkung:	ANZ KIT
1	532 40 29-37	EINSTELLHEBEL		1
2	532 15 36-05	EINSTELLHEBEL		1
3	532 18 99-03	CONTROL BAR		1
4	532 18 35-67	KABEL		1
5	532 19 15-74	HANDLE BOLT		1
6	532 19 19-38	KNOPF		1
7	532 05 17-93	PIN RETAINING SCREW		1
8	532 06 64-26	HOOP		1
9	532 40 69-85	DEFLEKTOR		1
10	532 12 84-15	NIETE		1
11	532 41 05-40	HALTER		1
12	532 41 05-42	HALTER		1
13	817 06 04-10	SCHRAUBE		1
14	532 19 01-54	GRIFFBEFESTIGUNG		1
15	532 19 01-53	GRIFFBEFESTIGUNG		1
16	532 40 54-17	FEDER		1
17	532 40 54-18	FEDER		1
18	532 13 20-04	MUTTER		1
19	532 19 47-88	FÜHRUNG		1
20	532 41 35-43	FOOT.GUARD.21.DOMED.CE*SUBS/2*		1
21	817 49 04-16	SCHRAUBE		1
25	532 15 04-06	BOLZEN		1
26	532 40 91-08	EINSTELLVORRICHTUNG		1
27	532 40 61-55	LAUFRAD		1
28	532 40 16-38	BOLZEN		1
30	532 41 21-74	ARM		1
31	532 08 78-77	KNOPF		1
32	532 41 08-88	FEDER		1
34	532 40 16-30	SCHEIBE		1
36	532 18 41-93	BOLZEN		1
38	532 40 16-29	ABSTANDSSCHEIBE		1
39	532 15 53-77	MUTTER		1
40	532 19 09-39	MOUNTING BRACKET, DEBRI		1
41	532 19 23-25	SCHRAUBE		1
43	532 40 58-45	RIEMENABDECKUNG		1
44	532 40 93-64	RAHMEN	(Includes Key Numbers 10, 11, 12 and 45)	1
45	532 18 21-66	Folie		1
46	532 40 46-33	ADAPTER		1
47	532 19 93-77	MOWER BLADE		1
48	532 85 10-74	SCHEIBE		1
49	532 85 02-63	SCHEIBE		1
50	532 85 10-84	SCHRAUBE		1
96	532 19 79-91	KLAMMER		1
--	532 18 21-34	DECALC."WARNING"		1



Referenz	Teile Nr	Beschreibung	Bemerkung:	ANZ KIT
1	532 18 45-88	BEDIENELEMENT		1
2	532 19 10-39	LAGER		1
3	532 17 52-62	PAN HEAD TAPPING SCREW		1
4	532 15 87-55	SCHRAUBE		1
5	532 17 54-36	KEILRIEMEN		1
6	532 15 04-95	PIN RETAINING SCREW		1
7	532 19 17-30	MUTTER		1
33	532 40 91-48	MUTTER		1
11	532 40 29-36	LAUFRAD		1
12	812 00 00-58	FEDERRING		1
13	532 40 38-49	TREIBRAD		1
14	532 18 94-03	STAUBSCHUTZ		1
15	532 40 48-45	PAWL, DRIVE		1
16	532 06 77-25	SCHEIBE		1
18	532 08 78-77	KNOPF		1
28	532 18 14-68	DECKEL		1
35	532 40 88-62	WHEEL ADJ KIT LH	(Includes Knob and Bearing)	1
36	532 41 52-25	GEARBOX	We advise Total Multis EP00 semi-liquid grease or a comparable grade (quantity 1.15 oz).	1
38	873 80 04-00	MUTTER		1
40	532 13 70-90	FEDER		1
41	532 40 88-61	WHEEL ADJ KIT RH	(Includes Knob and Bearing)	1
54	532 40 19-05	TASCHE		1
57	532 41 19-50	RAHMEN		1
60	532 18 34-97	BEHÄLTER		1
61	532 18 34-98	GEHÄUSE		1
62	532 18 34-99	STUFENRAD A		1
63	532 18 35-00	HEBEL		1
64	532 18 35-01	FEDER		1
65	532 41 69-88	WELLE		1
66	532 18 35-03	DOG, MOVABLE		1
67	532 18 35-04	DOG, FIXED		1
68	532 18 35-05	WIRE, FORMED		1
69	532 18 35-06	KUGELLAGER		1
70	532 18 35-07	GABEL		1
71	532 18 35-08	SEAL, OUTPUT SHAFT		1
72	532 18 35-09	SCHEIBE		1
73	532 18 35-10	SEAL, CASE		1
74	532 18 35-11	BUSHING		1
75	532 19 66-13	WELLE		1
76	532 18 35-13	SCHRAUBE		1
77	532 18 35-14	SEAL, INPUT SHAFT		1
78	532 41 69-87	RIEMENSCHLEIBE		1
79	532 41 69-86	LOCKING NUT		1