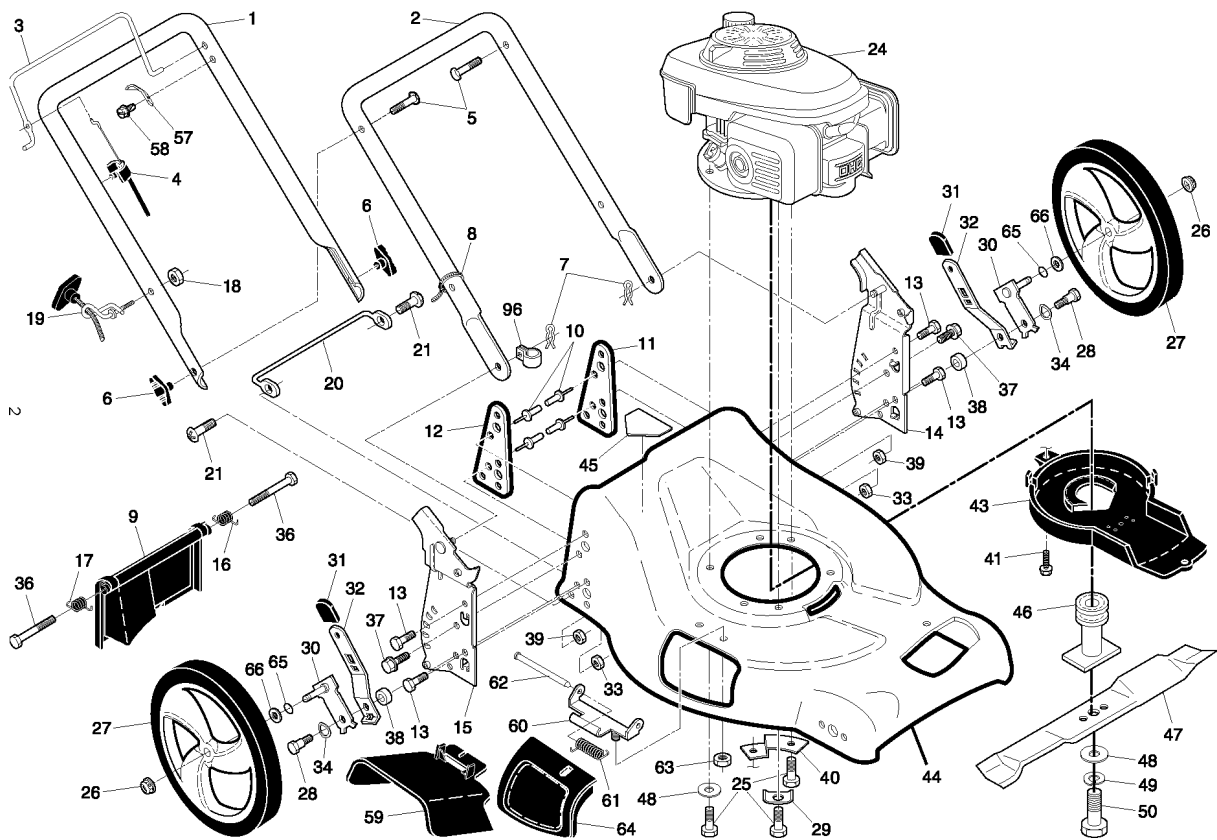




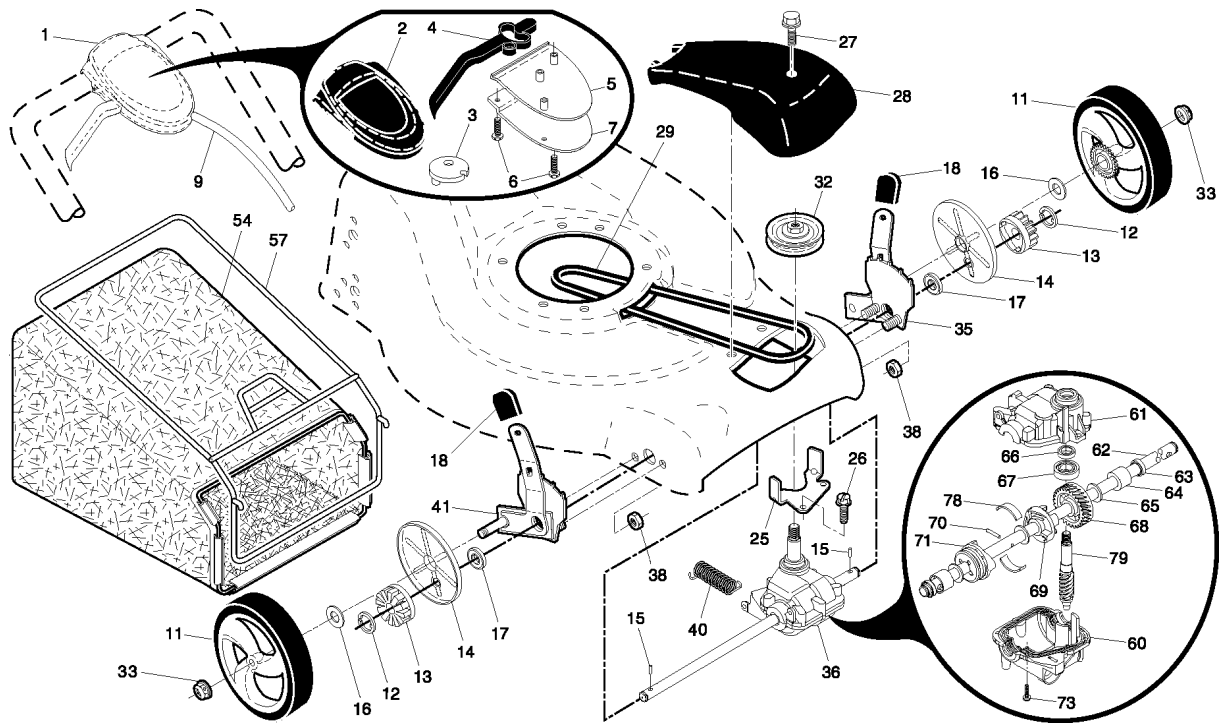
# SPARE PARTS LIST

LAWN MOWERS: CONSUMER  
WALK-BEHINDS

P53-190DWA, 96141017900, 2008-03



Referenz	Teile Nr	Beschreibung	Bemerkung:	ANZ KIT
1	532 40 29-05	EINSTELLHEBEL	(Includes Foam Grip)	1
2	532 15 36-05	EINSTELLHEBEL		1
3	532 40 29-32	BEDIENELEMENT		1
4	532 18 35-67	KABEL		1
5	532 19 15-74	HANDLE BOLT		1
6	532 19 19-38	KNOPF		1
7	532 05 17-93	PIN RETAINING SCREW		1
8	532 06 64-26	HOOP		1
9	532 40 69-85	DEFLEKTOR		1
10	532 12 84-15	NIETE		1
11	532 41 05-40	HALTER		1
12	532 41 05-42	HALTER		1
13	817 06 04-10	SCHRAUBE		1
14	532 19 60-37	HALTER		1
15	532 19 60-36	HALTER		1
16	532 40 54-17	FEDER		1
17	532 40 54-18	FEDER		1
18	532 13 20-04	MUTTER		1
19	532 19 47-88	FÜHRUNG		1
20	532 41 35-43	FOOT.GUARD.21.DOMED.CE*SUBS/2*		1
21	817 49 04-16	SCHRAUBE		1
25	532 15 04-06	BOLZEN		1
26	532 40 91-49	MUTTER		1
27	532 40 25-95	LAUFRAD		1
28	532 40 16-38	BOLZEN		1
29	532 12 50-78	SCHEIBE		1
30	532 41 31-41	ARM SUPPORT		1
31	532 08 78-77	KNOPF		1
32	532 40 98-89	SELECTOR SPRING		1
33	873 80 05-00	LOCK NUT		1
34	532 40 16-30	SCHEIBE		1
36	532 18 41-93	BOLZEN		1
37	874 78 05-12	SCHRAUBE		1
38	532 40 16-29	ABSTANDSSCHEIBE		1
39	532 15 53-77	MUTTER		1
40	532 19 09-39	MOUNTING BRACKET, DEBRI		1
41	532 19 23-25	SCHRAUBE		1
43	532 40 58-44	DEBRIS SHIELD		1
44	532 41 70-94	RAHMEN	(Includes Key Numbers 10, 11, 12 and 45)	1
45	532 18 21-66	Folie		1
46	532 19 77-52	BLADE ADAPTER / PULLEY		1
47	532 19 93-77	MOWER BLADE		1
48	532 85 10-74	SCHEIBE		1
49	532 85 02-63	SCHEIBE		1
50	532 85 10-84	SCHRAUBE		1
57	532 12 51-62	PLATTE		1
58	532 75 06-34	SCHRAUBE		1
59	532 17 50-71	CLIPPING DEFLECTOR		1
60	532 17 57-35	SCHARNIER		1
61	532 19 30-00	SCHARNIER		1
62	532 17 56-50	STANGE		1
63	873 80 04-00	MUTTER		1
64	532 17 50-66	STOPFEN		1
65	532 19 74-80	O-RING		1
66	532 08 83-48	SCHEIBE		1
96	532 19 79-91	KLAMMER		1
--	532 18 21-91	LABEL WARNING		1



Referenz	Teile Nr	Beschreibung	Bemerkung:	ANZ KIT
1	532 40 62-57	CONTROL.DR.EZ.FGD.SHORT.BK/RED		1
2	532 41 35-42	DECKEL		1
3	532 40 62-62	RIEMENSCHLEIBE		1
4	532 18 82-81	ARM		1
5	532 41 35-41	DECKEL		1
6	532 18 16-98	SCHRAUBE		1
7	532 40 07-23	HALTER		1
9	532 40 62-59	KABELSATZ		1
11	532 40 25-67	LAUFRAD		1
12	812 00 00-58	FEDERRING		1
13	532 40 38-49	TREIBBRAD		1
14	532 18 94-03	STAUBSCHUTZ		1
15	532 40 48-45	PAWL, DRIVE		1
16	532 06 77-25	SCHEIBE		1
17	532 19 10-39	LAGER		1
18	532 08 78-77	KNOPF		1
25	532 41 16-63	GUIDE COURROIE		1
26	532 16 34-09	SCHRAUBE		1
27	532 17 52-62	PAN HEAD TAPPING SCREW		1
28	532 18 14-67	DRIVE COVER		1
29	532 19 41-49	RIEMEN		1
32	532 19 40-18	RIEMENSCHLEIBE		1
33	532 40 91-48	MUTTER		1
35	532 40 88-62	WHEEL ADJ KIT LH	(Includes Knob and Bearing)	1
36	532 40 48-33	GEARCASE ASSEMBLY, COMPLETE		1
38	873 80 04-00	MUTTER		1
40	532 40 65-58	FEDER		1
41	532 40 88-61	WHEEL ADJ KIT RH	(Includes Knob and Bearing)	1
54	532 19 48-53	GRASSBAG		1
57	532 41 19-50	RAHMEN		1
60	532 41 07-34	BEHÄLTER		1
61	532 41 07-26	BEHÄLTER		1
62	532 41 09-49	SHAFT OUTPUT		1
63	532 18 35-08	SEAL, OUTPUT SHAFT		1
64	532 18 35-11	BUSHING		1
65	532 18 35-09	SCHEIBE		1
66	532 18 35-14	SEAL, INPUT SHAFT		1
67	532 18 35-06	KUGELLAGER		1
68	532 41 07-29	STUFENRAD A		1
69	532 41 07-30	MOVEABLE DOG CLUTCH		1
70	532 41 07-33	KOLBEN		1
71	532 41 07-32	FIXED DOG CLUTCH		1
73	532 18 35-13	SCHRAUBE		1
78	532 41 07-31	FEDER		1
79	532 41 07-27	SHAFT WORM		1