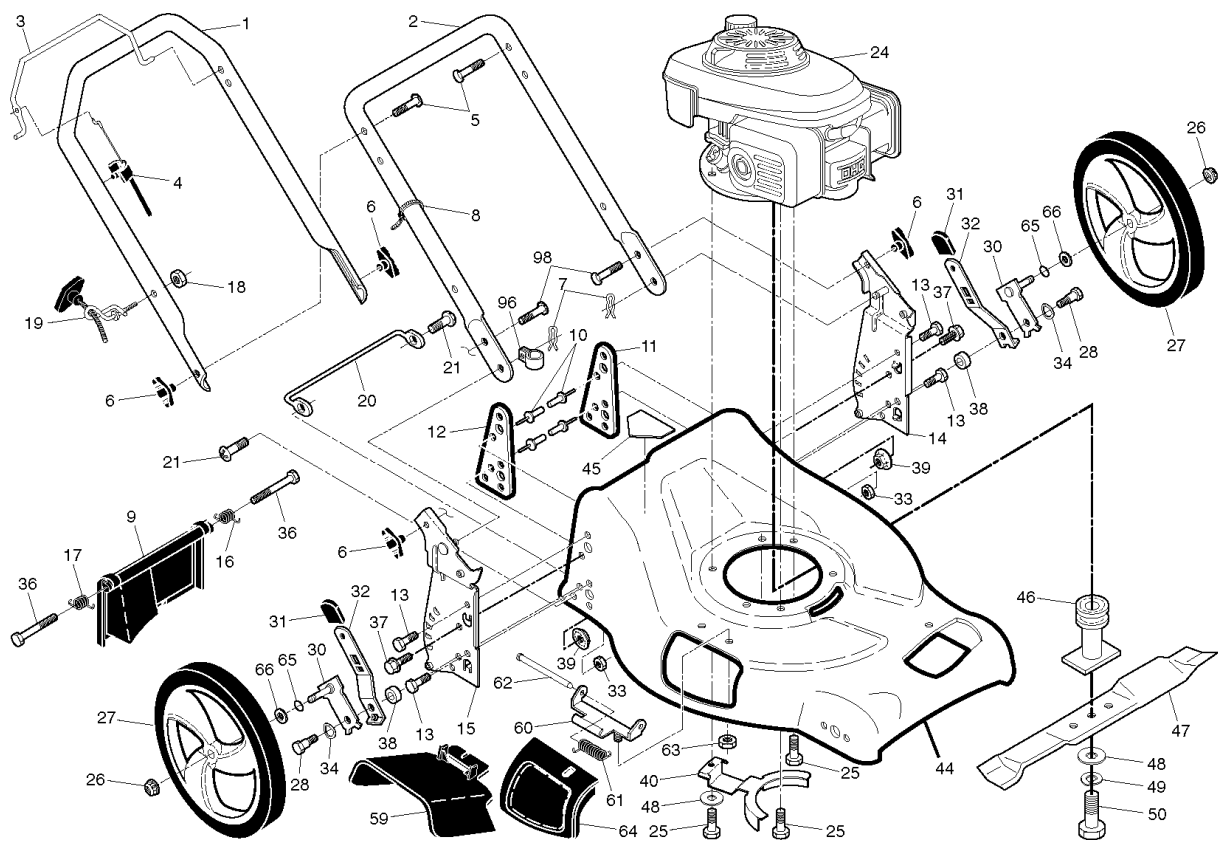




# SPARE PARTS LIST

LAWN MOWERS: CONSUMER  
WALK-BEHINDS

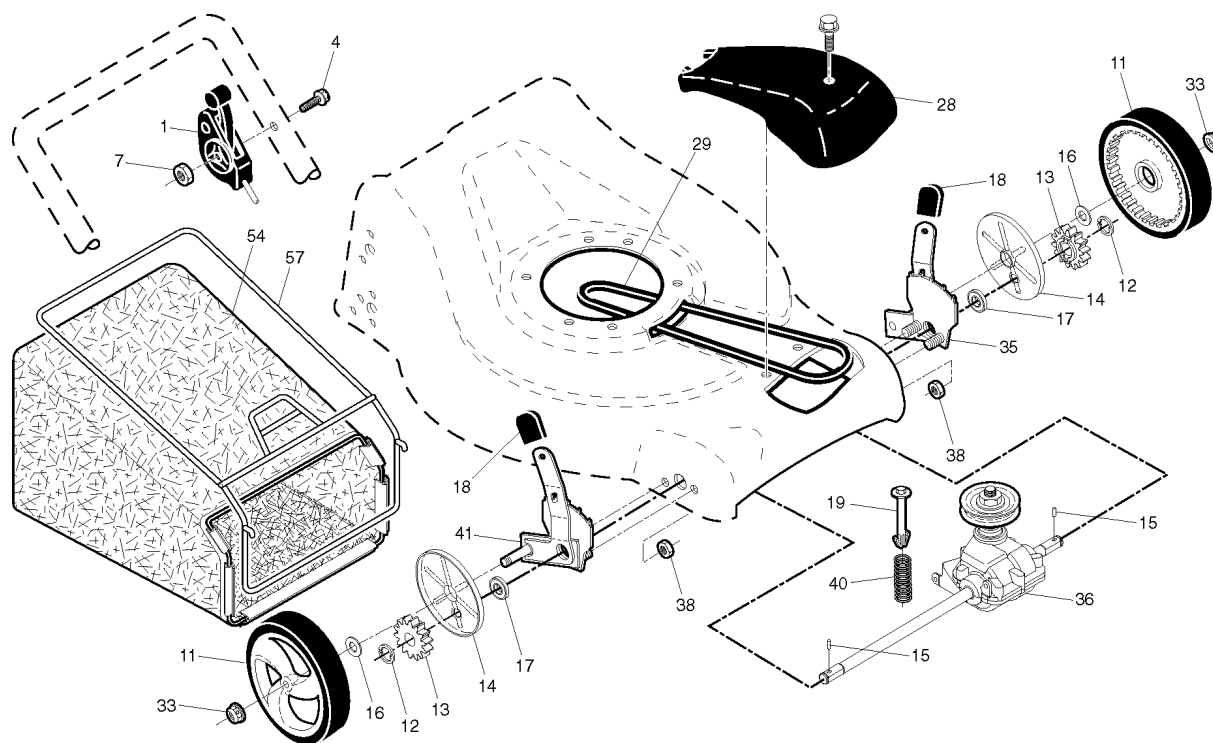
P53-160DW, 96141015307, 2010-01



RAHMEN

P53-160DW, 96141015307, 2010-01

| Referenz | Teile Nr     | Beschreibung        | Bemerkung:            | ANZ | KIT           |
|----------|--------------|---------------------|-----------------------|-----|---------------|
| 1        | 532 40 29-37 | EINSTELLHEBEL       |                       | 1   |               |
| 2        | 532 43 45-14 | EINSTELLHEBEL       |                       | 1   |               |
| 3        | 532 18 99-03 | CONTROL BAR         |                       | 1   |               |
| 4        | 532 18 35-67 | KABEL               |                       | 1   |               |
| 5        | 532 19 15-74 | HANDLE BOLT         |                       | 1   |               |
| 6        | 532 19 19-38 | KNOPF               |                       | 1   |               |
| 7        | 532 05 17-93 | PIN RETAINING SCREW |                       | 1   |               |
| 8        | 532 06 64-26 | HOOP                |                       | 1   |               |
| 9        | 532 40 69-85 | DEFLEKTOR           |                       | 1   | "16,17"       |
| 10       | 532 12 84-15 | NIETE               |                       | 1   |               |
| 11       | 532 41 05-40 | HALTER              | LH                    | 1   |               |
| 12       | 532 41 05-42 | HALTER              | RH                    | 1   |               |
| 13       | 817 06 04-10 | SCHRAUBE            |                       | 1   |               |
| 14       | 532 43 45-12 | HALTER              | LH                    | 1   |               |
| 15       | 532 43 45-13 | HALTER              | RH                    | 1   |               |
| 16       | 532 40 54-17 | FEDER               | LH                    | 1   |               |
| 17       | 532 40 54-18 | FEDER               | RH                    | 1   |               |
| 18       | 532 13 20-04 | MUTTER              |                       | 1   |               |
| 19       | 532 19 47-88 | FÜHRUNG             |                       | 1   |               |
| 20       | 532 43 61-19 | SCHUTZ              |                       | 1   |               |
| 21       | 817 49 04-16 | SCHRAUBE            |                       | 1   |               |
| 24       | 000 00 00-00 | W/O DESCRIPTION     | HONDA GCV160-AS3H2-EA | 1   |               |
| 25       | 532 15 04-06 | BOLZEN              |                       | 1   |               |
| 26       | 532 40 91-49 | MUTTER              |                       | 1   |               |
| 27       | 532 43 27-49 | RAD KPL.            |                       | 1   |               |
| 28       | 532 40 16-38 | BOLZEN              |                       | 1   |               |
| 30       | 532 41 31-41 | ARM SUPPORT         |                       | 1   |               |
| 31       | 532 08 78-77 | KNOPF               |                       | 1   |               |
| 32       | 532 40 98-89 | SELECTOR SPRING     |                       | 1   |               |
| 33       | 873 80 05-00 | LOCK NUT            |                       | 1   |               |
| 34       | 532 40 16-30 | SCHEIBE             |                       | 1   |               |
| 36       | 532 18 41-93 | BOLZEN              |                       | 1   |               |
| 37       | 874 78 05-12 | SCHRAUBE            |                       | 1   |               |
| 38       | 532 40 16-29 | ABSTANDSSCHEIBE     |                       | 1   |               |
| 39       | 532 15 53-77 | MUTTER              |                       | 1   |               |
| 40       | 532 42 90-01 | BEFESTIGUNG         |                       | 1   |               |
| 44       | 532 40 92-65 | RAHMEN              |                       | 1   | "10,11,12,45" |
| 45       | 532 18 21-66 | Folie               |                       | 1   |               |
| 46       | 532 43 46-25 | ADAPTER             |                       | 1   |               |
| 47       | 532 19 93-77 | MOWER BLADE         |                       | 1   |               |
| 48       | 532 85 10-74 | SCHEIBE             |                       | 1   |               |
| 49       | 532 85 02-63 | SCHEIBE             |                       | 1   |               |
| 50       | 532 85 10-84 | SCHRAUBE            |                       | 1   |               |
| 59       | 532 17 50-71 | CLIPPING DEFLECTOR  |                       | 1   |               |
| 60       | 532 17 57-35 | SCHARNIER           |                       | 1   |               |
| 61       | 532 19 30-00 | SCHARNIER           |                       | 1   |               |
| 62       | 532 17 56-50 | STANGE              |                       | 1   |               |
| 63       | 873 80 04-00 | MUTTER              |                       | 1   |               |
| 64       | 532 17 50-66 | STOPFEN             |                       | 1   |               |
| 65       | 532 19 74-80 | O-RING              |                       | 1   |               |
| 66       | 532 08 83-48 | SCHEIBE             |                       | 1   |               |
| 96       | 532 19 79-91 | KLAMMER             |                       | 1   |               |
|          | 532 18 21-34 | DECALC."WARNING"    | NOT SHOWN             | 1   |               |
| 98       | 872 25 05-05 | BOLZEN              |                       | 1   |               |



## ANTRIEB

P53-160DW, 96141015307, 2010-01

| Referenz | Teile Nr     | Beschreibung        | Bemerkung:                              | ANZ KIT |
|----------|--------------|---------------------|---|---------|
| 1        | 532 18 45-87 | BEDIENELEMENT       |   | 1       |
| 17       | 532 19 10-39 | LAGER               |   | 1       |
| 4        | 532 15 87-55 | SCHRAUBE            |   | 1       |
| 7        | 532 19 17-30 | MUTTER              |   | 1       |
| 11       | 532 40 29-36 | LAUFRAD             |   | 1       |
| 12       | 812 00 00-58 | FEDERRING           |   | 1       |
| 13       | 532 40 38-49 | TREIBRAD            |   | 1       |
| 14       | 532 18 94-03 | STAUBSCHUTZ         |   | 1       |
| 15       | 532 40 48-45 | PAWL, DRIVE         |   | 1       |
| 16       | 532 06 77-25 | SCHEIBE             |   | 1       |
| 18       | 532 08 78-77 | KNOPF               |   | 1       |
| 19       | 532 15 04-95 | PIN RETAINING SCREW |   | 1       |
| 28       | 532 43 26-62 | DRIVE COVER         | INCLUDES MOUNTING<br>SCREW AND RETAINER | 1       |
| 29       | 532 17 54-36 | KEILRIEMEN          |   | 1       |
| 33       | 532 40 91-48 | MUTTER              |   | 1       |
| 35       | 532 42 42-01 | EINSTELLVORRICHTUNG | LH INCLUDES KNOB AND<br>BEARING         | 1       |
| 36       | 532 41 52-25 | GEARBOX             |   | 1       |
| 38       | 873 80 04-00 | MUTTER              |   | 1       |
| 40       | 532 13 70-90 | FEDER               |   | 1       |
| 41       | 532 42 42-00 | EINSTELLVORRICHTUNG | RH INCLUDES KNOB<br>AND BEARING         | 1       |
| 54       | 532 19 48-53 | GRASSBAG            |   | 1       |
| 57       | 532 41 19-50 | RAHMEN              |   | 1       |