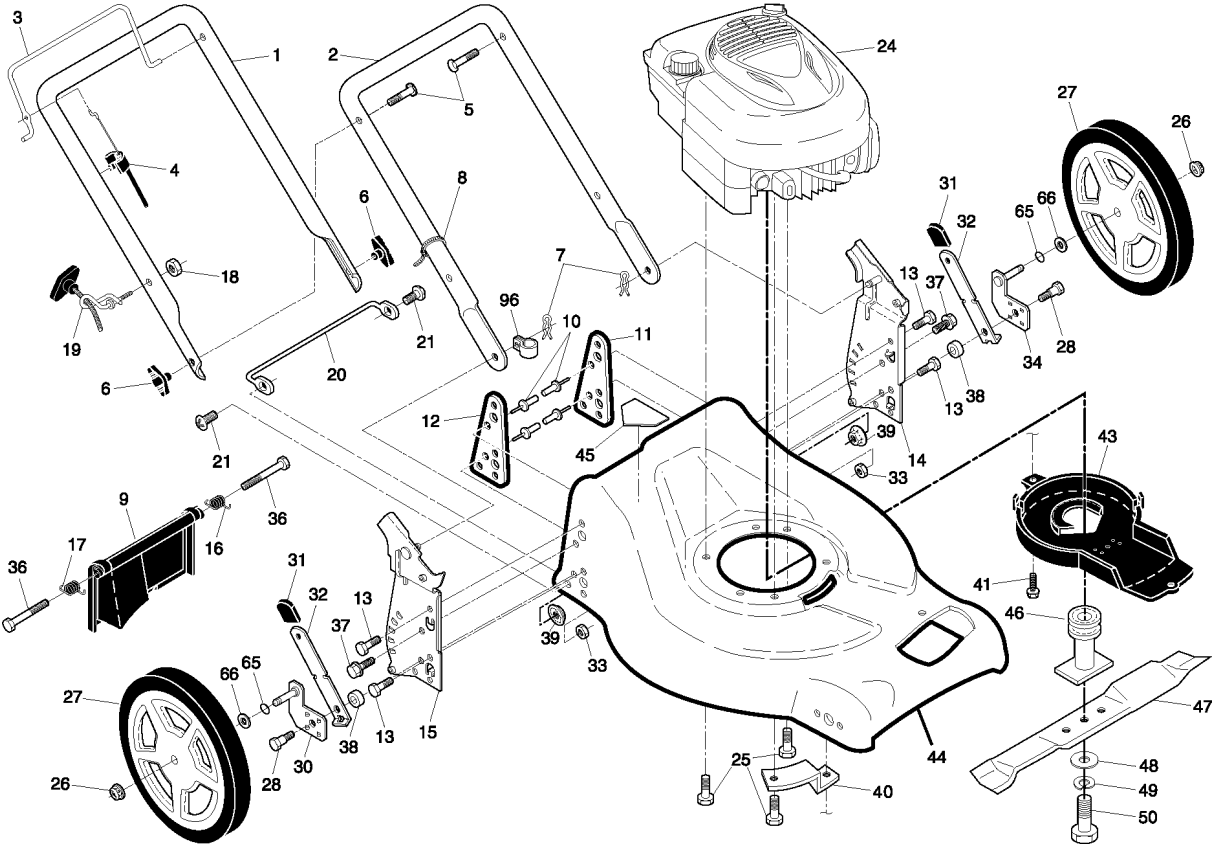




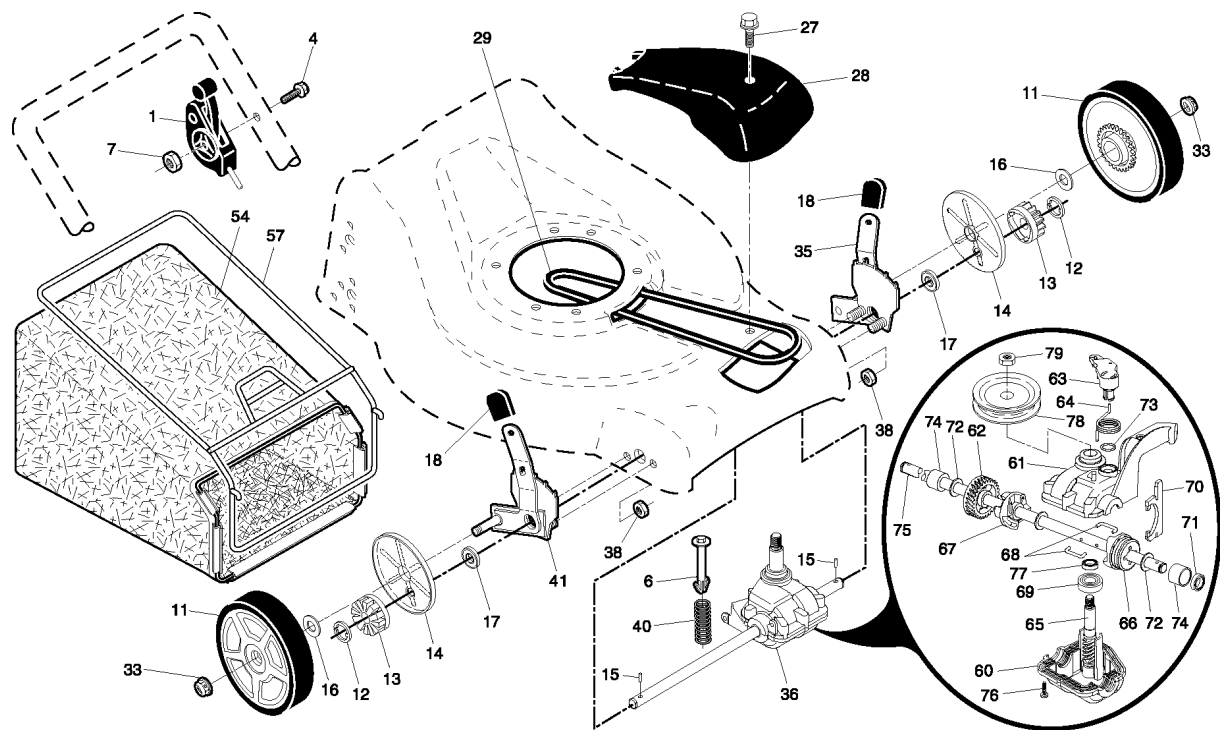
SPARE PARTS LIST

LAWN MOWERS: CONSUMER
WALK-BEHINDS

P5053 CM, 96141012304, 2010-06



| Referenz | Teile Nr | Beschreibung | Bemerkung: | ANZ KIT |
|----------|--------------|--------------------------------|--|---------|
| 1 | 532 19 25-17 | EINSTELLHEBEL | | 1 |
| 2 | 532 15 36-05 | EINSTELLHEBEL | | 1 |
| 3 | 532 14 67-71 | ÖSE | | 1 |
| 4 | 532 18 35-67 | KABEL | | 1 |
| 5 | 532 19 15-74 | HANDLE BOLT | | 1 |
| 6 | 532 19 19-38 | KNOPF | | 1 |
| 7 | 532 05 17-93 | PIN RETAINING SCREW | | 1 |
| 8 | 532 06 64-26 | HOOP | | 1 |
| 9 | 532 40 69-85 | DEFLEKTOR | | 1 |
| 10 | 532 12 84-15 | NIETE | | 1 |
| 11 | 532 40 65-73 | SUPPORT BRACKET LH | | 1 |
| 12 | 532 40 65-74 | SUPPORT BRACKET RH | | 1 |
| 13 | 817 06 04-10 | SCHRAUBE | | 1 |
| 14 | 532 18 25-43 | GRIFFBEFESTIGUNG | | 1 |
| 15 | 532 18 25-45 | GRIFFBEFESTIGUNG | | 1 |
| 16 | 532 40 54-17 | FEDER | | 1 |
| 17 | 532 40 54-18 | FEDER | | 1 |
| 18 | 532 13 20-04 | MÜTTER | | 1 |
| 19 | 532 19 47-88 | FÜHRUNG | | 1 |
| 20 | 532 41 35-43 | FOOT.GUARD.21.DOMED.CE*SUBS/2* | | 1 |
| 21 | 817 49 04-16 | SCHRAUBE | | 1 |
| 24 | - - - | TBD | Engine, Briggs & Stratton, Model Number 122T02 (order parts from engine manufacturer) | 1 |
| 25 | 532 15 04-06 | BOLZEN | | 1 |
| 26 | 532 40 91-49 | MÜTTER | | 1 |
| 27 | 532 40 31-22 | LAUFRAD | | 1 |
| 28 | 532 16 08-28 | BOLZEN | | 1 |
| 30 | 532 40 25-71 | HALTER | | 1 |
| 31 | 532 08 78-77 | KNOPF | | 1 |
| 32 | 532 19 01-57 | SELECT*RPL.PAR 532175060004 | | 1 |
| 33 | 873 80 05-00 | LOCK NUT | | 1 |
| 34 | 532 40 25-72 | HALTER | | 1 |
| 36 | 532 18 41-93 | BOLZEN | | 1 |
| 37 | 874 78 05-12 | SCHRAUBE | | 1 |
| 38 | 819 11 22-06 | SCHEIBE | | 1 |
| 39 | 532 15 53-77 | MÜTTER | | 1 |
| 40 | 532 19 09-39 | MOUNTING BRACKET, DEBRI | | 1 |
| 41 | 532 19 23-25 | SCHRAUBE | | 1 |
| 43 | 532 40 58-45 | RIEMENABDECKUNG | | 1 |
| 44 | 532 40 93-83 | SATZ | (Includes Key Numbers 10, 11, 12 and 45) | 1 |
| 45 | 532 18 21-66 | Folie | | 1 |
| 46 | 532 40 46-33 | ADAPTER | | 1 |
| 47 | 532 19 93-77 | MOWER BLADE | | 1 |
| 48 | 532 85 10-74 | SCHEIBE | | 1 |
| 49 | 532 85 02-63 | SCHEIBE | | 1 |
| 50 | 532 85 10-84 | SCHRAUBE | | 1 |
| 65 | 532 19 74-80 | O-RING | | 1 |
| 66 | 532 08 83-48 | SCHEIBE | | 1 |
| 96 | 532 19 79-91 | KLAMMER | | 1 |
| -- | 532 18 21-34 | DECALC."WARNING" | | 1 |
| -- | 532 41 01-34 | TBD | | 1 |
| -- | 532 41 01-35 | TBD | | 1 |



| Referenz | Teile Nr | Beschreibung | Bemerkung: | ANZ KIT |
|----------|--------------|------------------------|------------|---------|
| 1 | 532 18 45-87 | BEDIENELEMENT | | 1 |
| 4 | 532 15 87-55 | SCHRAUBE | | 1 |
| 6 | 532 15 04-95 | PIN RETAINING SCREW | | 1 |
| 7 | 532 19 17-30 | MUTTER | | 1 |
| 11 | 532 19 80-88 | LAUFRAD | | 1 |
| 12 | 812 00 00-58 | FEDERRING | | 1 |
| 13 | 532 40 38-49 | TREIBRAD | | 1 |
| 14 | 532 18 94-03 | STAUBSCHUTZ | | 1 |
| 15 | 532 40 48-45 | PAWL, DRIVE | | 1 |
| 16 | 532 06 77-25 | SCHEIBE | | 1 |
| 17 | 532 19 10-39 | LAGER | | 1 |
| 18 | 532 08 78-77 | KNOPF | | 1 |
| 27 | 532 17 52-62 | PAN HEAD TAPPING SCREW | | 1 |
| 28 | 532 18 14-67 | DRIVE COVER | | 1 |
| 29 | 532 17 54-36 | KEILRIEMEN | | 1 |
| 33 | 532 40 91-48 | MUTTER | | 1 |
| 35 | 532 40 91-08 | EINSTELLVORRICHTUNG | | 1 |
| 36 | 532 41 52-25 | GEARBOX | | 1 |
| 38 | 873 80 04-00 | MUTTER | | 1 |
| 40 | 532 13 70-90 | FEDER | | 1 |
| 41 | 532 40 91-09 | EINSTELLVORRICHTUNG | | 1 |
| 54 | 532 40 19-05 | TASCHE | | 1 |
| 57 | 532 41 19-50 | RAHMEN | | 1 |
| 60 | 532 18 34-97 | BEHÄLTER | | 1 |
| 61 | 532 18 34-98 | GEHÄUSE | | 1 |
| 62 | 532 18 34-99 | STUFENRAD A | | 1 |
| 63 | 532 18 35-00 | HEBEL | | 1 |
| 64 | 532 18 35-01 | FEDER | | 1 |
| 65 | 532 41 69-88 | WELLE | | 1 |
| 66 | 532 18 35-03 | DOG, MOVABLE | | 1 |
| 67 | 532 18 35-04 | DOG, FIXED | | 1 |
| 68 | 532 18 35-05 | WIRE, FORMED | | 1 |
| 69 | 532 18 35-06 | KUGELLAGER | | 1 |
| 70 | 532 18 35-07 | GABEL | | 1 |
| 71 | 532 18 35-08 | SEAL, OUTPUT SHAFT | | 1 |
| 72 | 532 18 35-09 | SCHEIBE | | 1 |
| 73 | 532 18 35-10 | SEAL, CASE | | 1 |
| 74 | 532 18 35-11 | BUSHING | | 1 |
| 75 | 532 19 66-13 | WELLE | | 1 |
| 76 | 532 18 35-13 | SCHRAUBE | | 1 |
| 77 | 532 18 35-14 | SEAL, INPUT SHAFT | | 1 |
| 78 | 532 41 69-87 | RIEMENSCHLEIBE | | 1 |
| 79 | 532 41 69-86 | LOCKING NUT | | 1 |