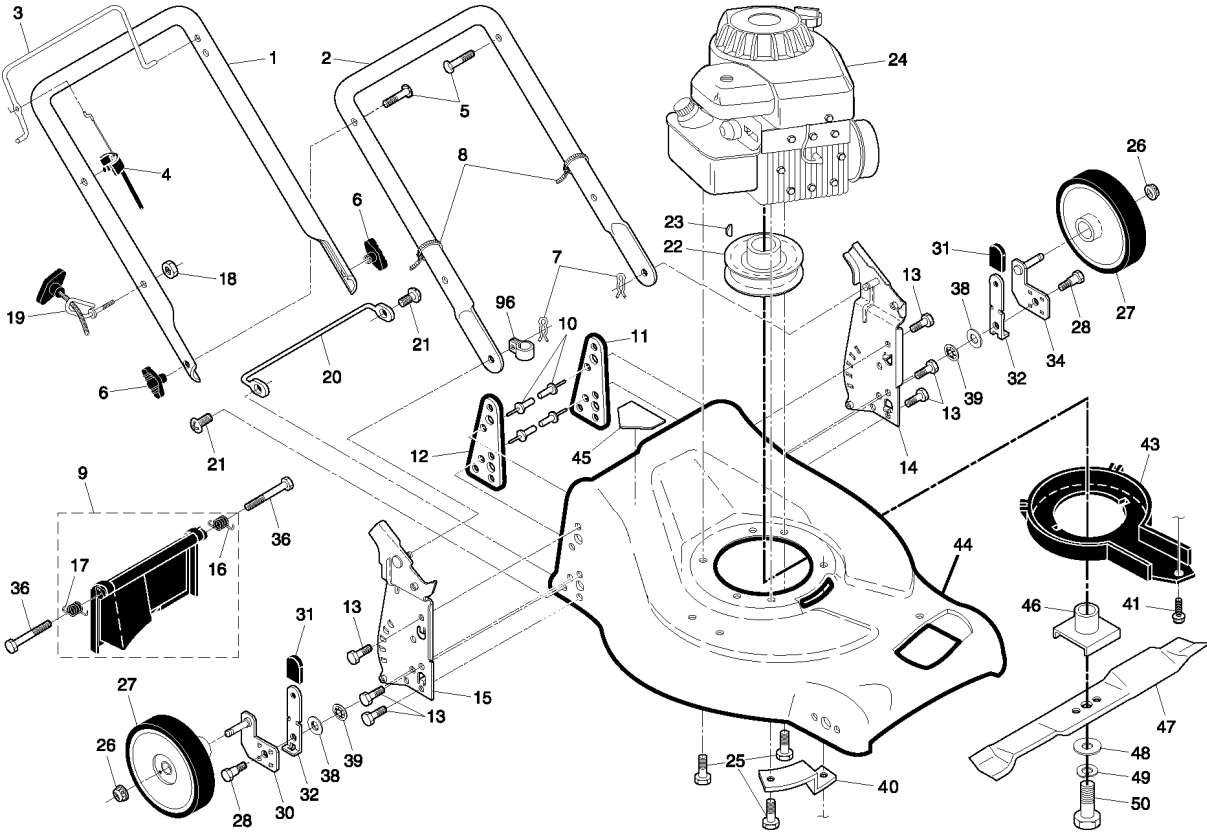




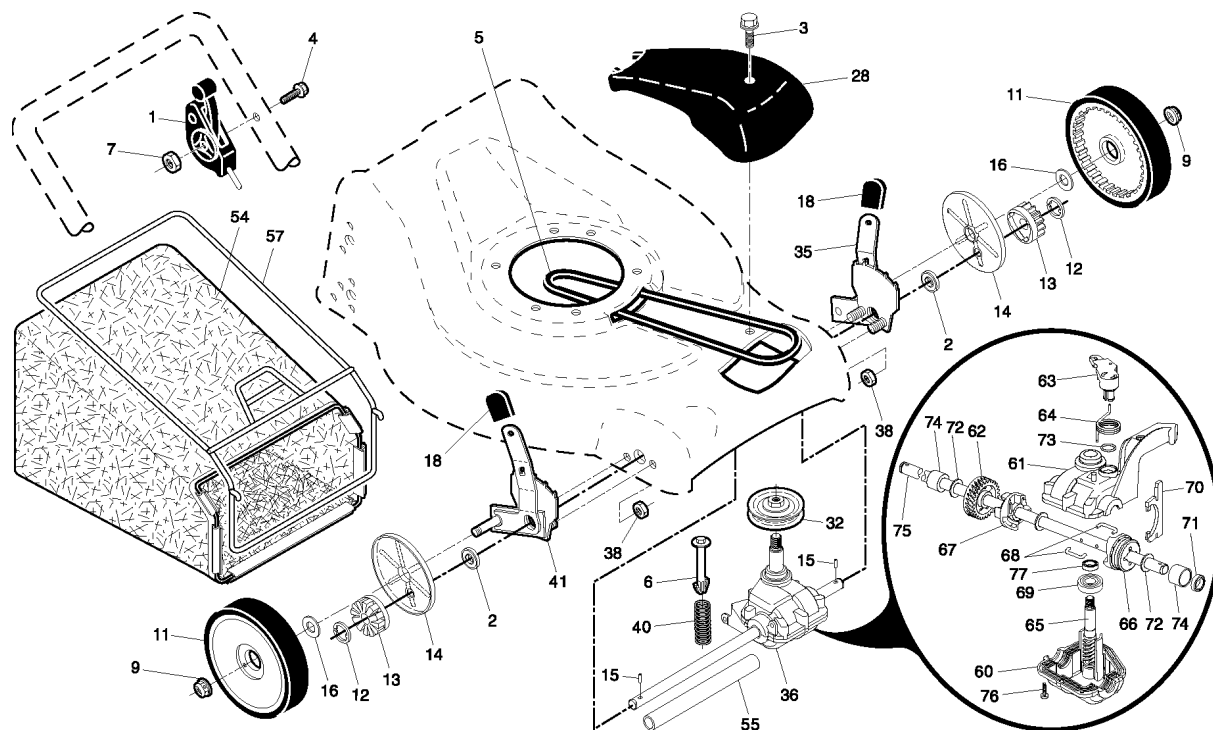
SPARE PARTS LIST

LAWN MOWERS: CONSUMER
WALK-BEHINDS

P4051 CM, 96141000802, 2010-06



Referenz	Teile Nr	Beschreibung	Bemerkung:	ANZ KIT
1	532 19 25-17	EINSTELLHEBEL		1
2	532 15 36-05	EINSTELLHEBEL		1
3	532 14 67-71	ÖSE		1
4	532 18 35-67	KABEL		1
5	532 19 15-74	HANDLE BOLT		1
6	532 19 19-38	KNOPF		1
7	532 05 17-93	PIN RETAINING SCREW		1
8	532 06 64-26	HOOP		1
9	532 18 04-79	REAR DOOR KIT (INCL. KE	(Includes Key Numbers 16 and 17)	1
10	532 12 84-15	NIETE		1
11	532 18 25-38	SUPPORT BRACKET LH		1
12	532 18 25-39	SUPPORT BRACKET RH		1
13	817 06 04-10	SCHRAUBE		1
14	532 19 01-54	GRIFFBEFESTIGUNG		1
15	532 19 01-53	GRIFFBEFESTIGUNG		1
16	532 18 00-71	FEDER		1
17	532 18 00-72	FEDER		1
18	532 13 20-04	MUTTER		1
19	532 17 95-85	HOLDER		1
20	532 17 92-05	FOOT GUARD		1
21	532 05 45-83	SCHRAUBE		1
22	532 08 45-96	RIEMENSCHLEIBE		1
23	532 08 76-77	TASTE		1
24	---	TBD	Engine, Briggs & Stratton, Model Number 10E902 (order parts from engine manufacturer)	1
25	532 15 04-06	BOLZEN		1
26	532 08 39-23	MUTTER		1
27	532 19 79-85	WHEEL & TIRE ASSEMBLY		1
28	532 18 93-12	BOLZEN		1
30	532 19 54-35	AXLE ARM ASSEMBLY, RR		1
31	532 08 78-77	KNOPF		1
32	532 19 01-57	SELECT*RPL.PAR 532175060004		1
34	532 19 54-36	AXLE ARM ASSEMBLY, REAR		1
36	532 18 41-93	BOLZEN		1
38	532 17 61-85	SCHEIBE		1
39	532 17 62-35	SCHEIBE		1
40	532 19 09-39	MOUNTING BRACKET, DEBRI		1
41	532 19 23-25	SCHRAUBE		1
43	532 18 87-84	DECKEL		1
44	532 19 48-60	LAWN MOWER HOUSING	(Includes Key Numbers 10, 11, 12 and 45)	1
45	532 18 21-66	Folie		1
46	532 18 00-69	BLADE ADAPTER		1
47	532 17 50-52	MOWER BLADE		1
48	532 85 10-74	SCHEIBE		1
49	532 85 02-63	SCHEIBE		1
50	532 85 10-84	SCHRAUBE		1
96	532 19 27-70	KLAMMER		1
--	532 18 21-34	DECALC."WARNING"		1
--	532 19 64-66	TBD		1
--	532 19 64-68	TBD		1



Referenz	Teile Nr	Beschreibung	Bemerkung:	ANZ KIT
1	532 18 45-87	BEDIENELEMENT		1
2	532 19 10-39	LAGER		1
3	532 17 52-62	PAN HEAD TAPPING SCREW		1
4	532 15 87-55	SCHRAUBE		1
5	532 17 54-36	KEILRIEMEN		1
6	532 15 04-95	PIN RETAINING SCREW		1
7	532 19 17-30	MUTTER		1
9	532 08 39-23	MUTTER		1
11	532 19 79-86	WHEEL & TIRE ASSEMBLY		1
12	812 00 00-58	FEDERRING		1
13	532 75 00-03	TREIBBRAD		1
14	532 18 94-03	STAUBSCHUTZ		1
15	532 19 10-17	PAWL, DRIVE		1
16	532 06 77-25	SCHEIBE		1
18	532 08 78-77	KNOPF		1
28	532 19 58-81	DRIVE COVER		1
32	532 19 41-26	DRIVE PULLEY		1
35	532 19 51-10	EINSTELLVORRICHTUNG		1
36	532 19 49-35	GEAR CASE		1
38	873 80 04-00	MUTTER		1
40	532 13 70-90	FEDER		1
41	532 19 51-07	EINSTELLVORRICHTUNG		1
54	532 19 54-50	GRASSBAG		1
55	532 17 57-39	DRIVESHAFT COVER		1
57	532 18 88-15	RAHMEN		1
60	532 18 34-97	BEHÄLTER		1
61	532 18 34-98	GEHÄUSE		1
62	532 18 34-99	STUFENRAD A		1
63	532 18 35-00	HEBEL		1
64	532 18 35-01	FEDER		1
65	532 18 35-02	WELLE		1
66	532 18 35-03	DOG, MOVABLE		1
67	532 18 35-04	DOG, FIXED		1
68	532 18 35-05	WIRE, FORMED		1
69	532 18 35-06	KUGELLAGER		1
70	532 18 35-07	GABEL		1
71	532 18 35-08	SEAL, OUTPUT SHAFT		1
72	532 18 35-09	SCHEIBE		1
73	532 18 35-10	SEAL, CASE		1
74	532 18 35-11	BUSHING		1
75	532 19 66-13	WELLE		1
76	532 18 35-13	SCHRAUBE		1
77	532 18 35-14	SEAL, INPUT SHAFT		1