

Mod. 1138.
ELENCO PARTI DI RICAMBIO
SPARE PARTS LIST
LISTE DES PIECES DE RECHANGE
ERSATZTEILLISTE

Tab. 1	CARROZZERIA - <i>FAIRING</i> - CARENAGE - <i>KAROSSERIE</i>	Rev. 9310
Tab. 2	TELAIO - <i>FRAME BODY</i> - CHASSIS - <i>GESTELL</i>	Rev. 9310
Tab. 3	COMANDI - <i>DRIVES</i> - COMMANDES - <i>ANTRIEBEN</i>	Rev. 9310
Tab. 4	COMANDI A PEDALE- <i>DRIVES</i> - COMMANDES - <i>ANTRIEBEN</i>	Rev. 9310
Tab. 5	TRASMISSIONE - <i>TRANSMISSION</i> - TRANSMISSION - <i>TRANSMISSION</i>	Rev. 9310
Tab. 6	CARTER - <i>CASE</i> - CARTER - <i>GEHÄUSE</i>	Rev. 9310
Tab. 7	CAMBIO DI VELOCITÀ - <i>GEARBOX</i> - CHANGEMENT DE VITESSE - <i>GETRIEBE</i>	Rev. 9310
Tab. 8	CAMBIO (vecchio tipo) - <i>GEARBOX (old model)</i> - CHANGEMENT DE VITESSES (vieux model) - <i>GETRIEBE (alten modell)</i>	Rev. 9310
Tab. 9	GRUPPO FRIZIONE - <i>CLUTCH</i> - EMBRAYAGE - <i>KUPPLUNGSGRUPPE</i>	Rev. 9310
Tab. 10	FRENI - <i>BRAKES</i> - FREINS - <i>BREMSEN</i>	Rev. 9310
Tab. 11a	IMPIANTO ELETTRICO INTERMOTOR - <i>ELECTRICAL SYSTEM</i> - INSTALLATION ELECTRIQUE - <i>ELEKTRISCHE ANLAGE</i>	Rev. 9310
Tab. 11b	IMPIANTO ELETTRICO BRIGGS & S. - <i>ELECTRICAL SYSTEM</i> - INSTALLATION ELECTRIQUE - <i>ELEKTRISCHE ANLAGE</i>	Rev. 9310
Tab. 11c	IMPIANTO ELETTRICO LOMBARDINI - <i>ELECTRICAL SYSTEM</i> - INSTALLATION ELECTRIQUE - <i>ELEKTRISCHE ANLAGE</i>	Rev. 9310
Tab. 11d	IMPIANTO ELETTRICO RUGGERINI - <i>ELECTRICAL SYSTEM</i> - INSTALLATION ELECTRIQUE - <i>ELEKTRISCHE ANLAGE</i>	Rev. 9310
Tab. 12	ATTACCO A 3 PUNTI - <i>THREE-POINT LINKER</i> - ATTELAGE A 3 POINTS - <i>FAHRSTUHL</i>	Rev. 9310
Tab. 13	SOLLEVAMENTO IDRAULICO - <i>HYDRAULIC LIFTER</i> - ELEVATEUR HIDRAULIQUE - <i>HYDRAULISCHE ANLAGE</i>	Rev. 9310
Tab. 14	PIATTO TOSAPRATO - <i>LAWN MOWER</i> - TONDEUR À GAZON - <i>RASENMÄHER</i>	Rev. 9310
Tab. 15a	SCOPA RACCOGLIERBA - <i>GRASS SWEEPER</i> - BALAYEUSE - <i>GRASKEHRER</i>	Rev. 9505
Tab. 15b	CESTO RACCOGLIERBA - <i>PANNIER</i> - HOTTE - <i>KIEPE</i>	Rev. 9505
Tab. 16	GRUPPO FRESA - <i>TILLER</i> - FRAISE - <i>FRÄSE</i>	Rev. 9310
Tab. 17	AZIONAMENTO BARRA FALCIANTE - <i>BAR MOVEMENT</i> - MOUVEMENT DE LA BARRE - <i>MÄHBALKEN BETRIEB</i>	Rev. 9310
Tab. 18	BARRA FALCIANTE LATERALE - <i>MOWING BAR, LATERAL</i> - BARRE DE COUPE LATERAL - <i>SEITENMÄHBALKEN</i>	Rev. 9310
Tab. 19	AERATORE PER PRATO - <i>LAWN AERATOR</i> - AERATEUR POUR TERRAIN - <i>GRUNDBELÜFTUNGSAPPARAT</i>	Rev. 9407

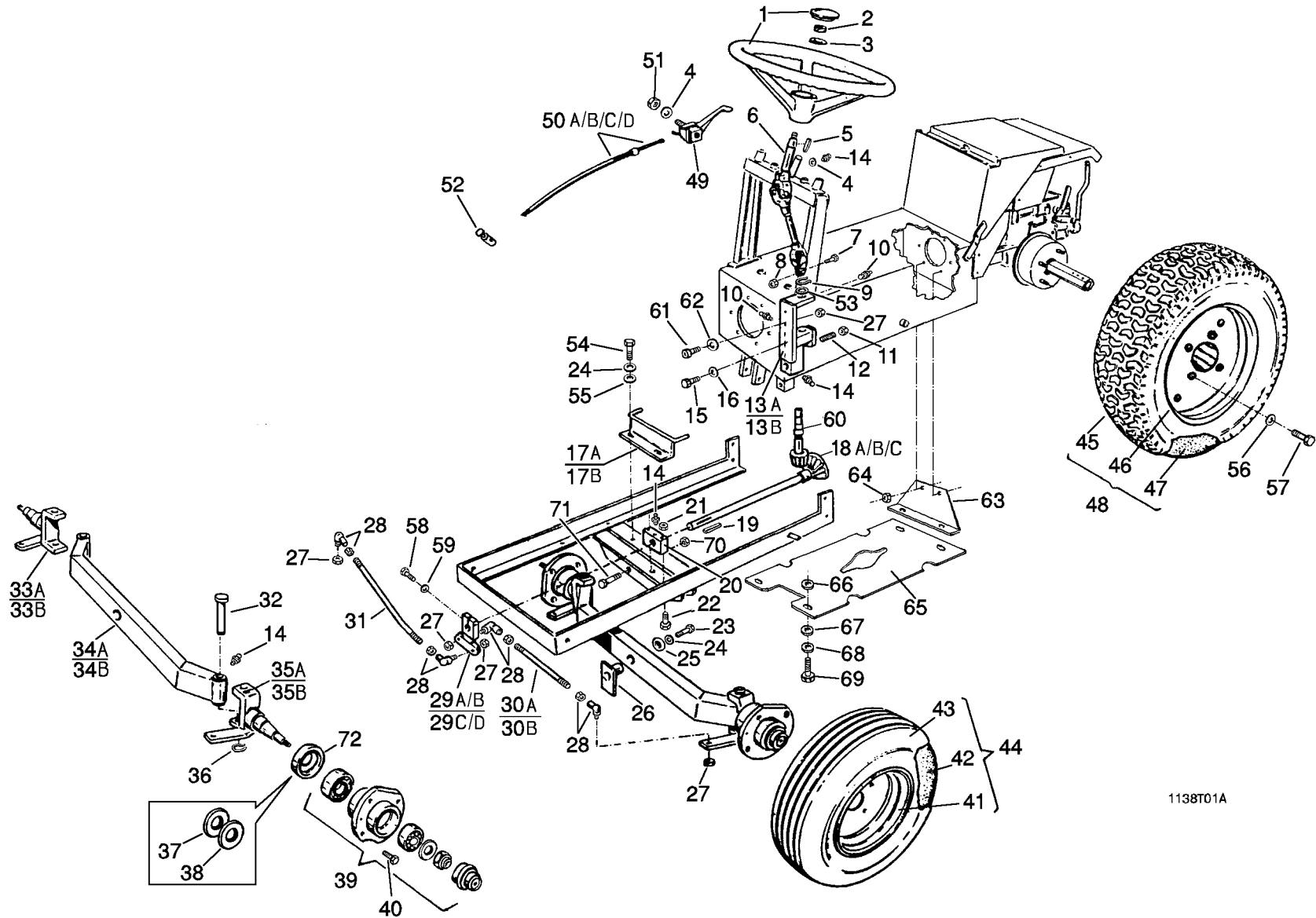
Tab. 1 – CARROZZERIA - FAIRING - CARENAGE - KAROSSERIE

REF.	Q.	COD.	DESCRIZIONE	DESCRIPTION	DESCRIPTION	BENENNUNG
01	01	12350418	SEDILE	SEAT	SIEGE	SITZ
02	03	14680402	SILENTBLOCK	SILENTBLOCK	SILENTBLOCK	SILENTBLOCK
03	01	15386001	COPRIPEDANA DX	COVER R.H.	TAPIS D.	GUMMIMATTE R.
04	02	14610326	PERNO	PIN	AXE	BOLZEN
05	01	15385098	PARAFANGO DX	MUDGUARD, R.H.	GARDE-BOUE D.	KOTFLÜGEL R.
06	01	14660185	POMELLO	KNOB	BOUTON	KUGELGRIFF
07a	01	15385095	CRUSCOTTO (Ruggerini)	DASHBOARD (Ruggerini)	TABLEAU DE BORD (Ruggerini)	ARMATURENBRETT (Ruggerini)
07b	01	15385198	CRUSCOTTO (B&S- L. - Int.)	DASHBOARD (B&S- L. - Int.)	TABLEAU DE BORD (B&S- L. - I.)	ARMATURENBRETT (B&S- L. - I.)
08a	01	15385006	SUPPORTO (Ruggerini)	SUPPORT (Ruggerini)	SUPPORT (Ruggerini)	HALTERUNG (Ruggerini)
08b	01	15385225	SUPPORTO (B&S- Lom. - Int.)	SUPPORT (B&S- L. - Int.)	SUPPORT (B&S- L. - Int.)	HALTERUNG (B&S- L. - I.)
09	02	19957119	COPIGLIA	COTTER PIN	GOUPILLE FENDUE	SPLINT
10	20	19955051	RONDELLA	WASHER	RONDELLE	SCHEIBE
11a	01	15385087	COFANO (B.&S- Ruggerini)	COVER (B.&S- Ruggerini)	COUVERCLE (B.&S- Ruggerini)	DECKEL (B.&S- Ruggerini)
11b	01	15385088	COFANO (Lomb. - Inter.)	BONNET (Lomb. - Inter.)	COFFRE (Lomb. - Inter.)	MOTORHAUBE (Lomb. - Inter.)
12	01	12350419	MASCHERINA	MASK	CALANDRE	VERKLEIDUNG
13	01	15385089	PARAURTI	BUMPER	PARE-CHOCS	STOSSTANGE
14a	01	15385003	TELAIO (Ruggerini)	FRAME BODY (Ruggerini)	CADRE (Ruggerini)	GESTELL (Ruggerini)
14b	01	15385092	TELAIO (B. & S.)	FRAME BODY (B. & S.)	CADRE (B. & S.)	GESTELL (B. & S.)
14c	01	15385224	TELAIO (Lomb. - Inter.)	FRAME BODY (Lomb. - Inter.)	CADRE (Lomb. - Inter.)	GESTELL (Lomb. - Inter.)
15a	01	15385094	PEDANA DX (Rug.- Lom. - Int.)	FOOTBOARD R.H. (Rug.- L. - Int.)	MARCHEPIED D. (Rug.- L. - Int.)	FUSSBRETT R. (Rug.- L. - Int.)
15b	01	15385207	PEDANA DX (B. & S.)	FOOTBOARD R.H. (B. & S.)	MARCHEPIED D. (B. & S.)	FUSSBRETT R. (B. & S.)
16	02	14681705	TIRANTE	STAY-ROD	TIRANT	SPANNBOLZEN
17a	01	15385004	CARTER (Rug.- Lom. - Int.)	CASE (Rug.- Lom. - Int.)	CARTER (Rug.- Lom. - Int.)	GEHÄUSE (Rug.- Lom. - Int.)
17b	01	15385240	CARTER CENTRALE (B. & S.)	CASE (B. & S.)	CARTER (B. & S.)	GEHÄUSE (B. & S.)
18	01	15386002	COPRIPEDANA SX	COVER L.H.	TAPIS G.	GUMMIMATTE L.
19a	01	15385093	PEDANA SX (Rug.- Lomb.)	FOOTBOARD L. (Rug.- Lomb.)	MARCHEPIED G. (Rug.- Lomb.)	FUSSBRETT L. (Rug.- Lomb.)
19b	01	15385208	PEDANA SX (B. & S.)	FOOTBOARD L. (B. & S.)	MARCHEPIED G. (B. & S.)	FUSSBRETT L. (B. & S.)
19c	01	15385223	PEDANA SX (Intermotor)	FOOTBOARD L. (Intermotor)	MARCHEPIED G. (Intermotor)	FUSSBRETT L. (Intermotor)
20	01	15385097	PARAFANGO SX	MUDGUARD, L.	GARDE-BOUE G.	KOTFLÜGEL L.
21	01	15385100	SUPPORTO	SUPPORT	SUPPORT	HALTERUNG
22	01	15385099	COPRIBATTERIA	BATTERY COVER	CAPOT	BATTERIEHAUBE
23	24	19954206	DADO	NUT	ECROU	MUTTER
24	01	15385096	PORTA BATTERIA	BATTERY HOLDER	PORTE BATTERIE	BATTERIESTÄNDER
25	01	15386151	PEDANA GOMMA	FOOTBOARD	MARCHEPIED	FUSSBRETT
26	16	14680110	TAPPI FERMA PEDANA	FASTENER	FIXATION	FESTKLEMMME
27a	01	15385061	ASTA DX (Rug.- Lom. - Int.)	ROD (R.H.) (Rug.- Lom. - Int.)	TIGE D. (Rug.- Lom. - Int.)	STANGE R. (Rug.- Lom. - Int.)
27b	01	15385062	ASTA SX (Rug.- Lom. - Int.)	ROD (L.H.) (Rug.- Lom. - Int.)	TIGE G. (Rug.- Lom. - Int.)	STANGE L. (Rug.- Lom. - Int.)
28	02	19955053	RONDELLA	WASHER	RONDELLE	SCHEIBE
29	08	19954255	DADO	NUT	ECROU	MUTTER
30	04	19955410	ROSETTA ELASTICA	SPRING WASHER	RONDELLE ELASTIQUE	FEDERSCHEIBE
31	02	19954046	DADO	NUT	ECROU	MUTTER
32	02	15385244	VITE	SCREW	VIS	SCHRAUBE
33a	04	19952747	VITE (Rug.- Lom. - Int.)	SCREW (Rug.- Lom. - Int.)	VIS (Rug.- Lom. - Int.)	SCHRAUBE (Rug.- Lom. - Int.)
33b	02	19952623	VITE (B. & S.)	SCREW (B. & S.)	VIS (B. & S.)	SCHRAUBE (B. & S.)
34	08	19955009	RONDELLA	WASHER	RONDELLE	SCHEIBE
35	02	15385243	CATENA	CHAIN	CHAINE	KETTE

Tab. 1 – CARROZZERIA - FAIRING - CARENAGE - KAROSSERIE

REF.	Q.	COD.	DESCRIZIONE	DESCRIPTION	DESCRIPTION	BENENNUNG
36	02	19954045	DADO	NUT	ECROU	MUTTER
37	17	19954254	DADO	NUT	ECROU	MUTTER
38	02	15385056	VITE CON PIASTRINA	SCREW W/ PLATE	VIS AVEC PLAQUE	SCHRAUBE MIT PLATTE
39	08	19955007	RONDELLA	WASHER	RONDELLE	SCHEIBE
40	02	19952715	VITE	SCREW	VIS	SCHRAUBE
41	02	19955273	ROSETTA ELASTICA	SPRING WASHER	RONDELLE ELAST.	FEDERSCHEIBE
42	02	19955056	RONDELLA	WASHER	RONDELLE	SCHEIBE
43	02	19955012	RONDELLA	WASHER	RONDELLE	SCHEIBE
44	02	19954212	DADO	NUT	ECROU	MUTTER
45	31	19955052	RONDELLA	WASHER	RONDELLE	SCHEIBE
46	01	15386210	PROFILO	SHAPE	PROFILE	PROFIL
47	02	19955308	ROSETTA ELASTICA	SPRING WASHER	RONDELLE ELAST.	FEDERSCHEIBE
48	08	19954208	DADO	NUT	ECROU	MUTTER
49	02	15004013	PRIGIONIERO (Ruggerini)	STUD BOLT (Ruggerini)	GOIJON (Ruggerini)	STIFTSCHRAUBE (Ruggerini)
50	02	19955306	ROSETTA ELASTICA	SPRING WASHER	RONDELLE ELAST.	FEDERSCHEIBE
51	01	19952324	VITE	SCREW	VIS	SCHRAUBE
52	02	14680802	FASCETTA	COLLAR	COLLIER	HALTERBAND
53	01	19954164	DADO	NUT	ECROU	MUTTER
54	01	19955276	ROSETTA ELASTICA	SPRING WASHER	RONDELLE ELAST.	FEDERSCHEIBE
55	01	15385252	VITE	SCREW	VIS	SCHRAUBE
56	05	19952729	VITE	SCREW	VIS	SCHRAUBE
57	32	19956177	GOMMINO	RUBBER RING	CAOUTCHOUC	GUMMIRING
58	04	19951802	VITE	SCREW	VIS	SCHRAUBE
59	02	19956201	INGRASSATORE	GREASE NIPPLE	GRAISSEUR	SCHMIERNIPPEL
60	14	19955008	RONDELLA	WASHER	RONDELLE	SCHEIBE
61	16	19952720	VITE	SCREW	VIS	SCHRAUBE
62	04	19953101	VITE	SCREW	VIS	SCHRAUBE
63	01	19952737	VITE (Rug.- Lom. - Int.)	SCREW (Rug.- Lom. - Int.)	VIS (Rug.- Lom. - Int.)	SCHRAUBE (Rug.- Lom. - Int.)
64a	02	19952730	VITE (Rug.- Lom. - Int.)	SCREW (Rug.- Lom. - Int.)	VIS (Rug.- Lom. - Int.)	SCHRAUBE (Rug.- Lom. - Int.)
64b	02	19952613	VITE (B. & S.)	SCREW (B. & S.)	VIS (B. & S.)	SCHRAUBE (B. & S.)
65	04	14680103	GOMMINO	RUBBER RING	CAOUTCHOUC	GUMMIRING
66	02	14680101	GOMMINO	RUBBER RING	CAOUTCHOUC	GUMMIRING
67	02	15385245	DISTANZIALE	SPACER	CALE D'EPAISSEUR	DISTANZSTÜCK
68	02	15386006	SILENTBLOCK	SILENTBLOCK	SILENTBLOCK	SILENTBLOCK
69	07	19952721	VITE	SCREW	VIS	SCHRAUBE
70	04	19955408	ROSETTA ELASTICA	SPRING WASHER	RONDELLE ELAST.	FEDERSCHEIBE
71	10	19954208	DADO	NUT	ECROU	MUTTER
72	02	19952747	VITE	SCREW	VIS	SCHRAUBE
73a	01	15385242	ASTA SX (B. & S.)	ROD R.H. (B. & S.)	TIGE D. (B. & S.)	STANGE R. (B. & S.)
73b	01	15385241	ASTA DX (B. & S.)	ROD L.H. (B. & S.)	TIGE G. (B. & S.)	STANGE L. (B. & S.)

Tab. 2 - TELAIO - FRAME BODY - CHASSIS - GESTELL



1138T01A

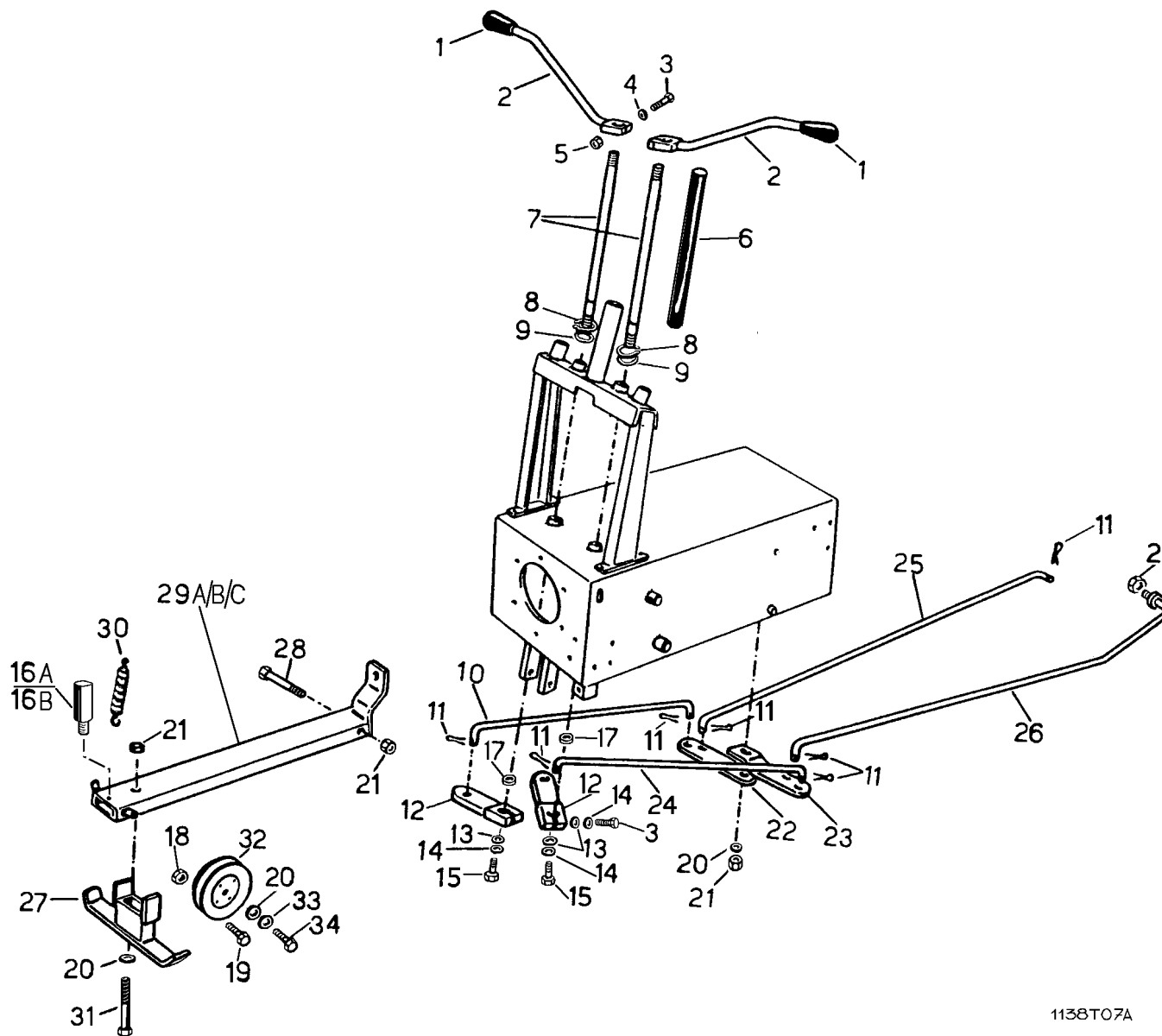
Tab. 2 – TELAIO - FRAME BODY - CHASSIS - GESTELL

REF.	Q.	COD.	DESCRIZIONE	DESCRIPTION	DESCRIPTION	BENENNUNG
01	01	12350417	VOLANTE	STEERING WHEEL	VOLANT	LENKRAD
02	01	19954066	DADO	NUT	ECROU	MUTTER
03	01	19955276	RONDELLA	WASHER	RONDELLE	SCHEIBE
04	02	19955051	RONDELLA	WASHER	RONDELLE	SCHEIBE
05	01	19956316	LINGUETTA	SPLINE	CLAVETTE	KEIL
06	01	15385075	ALBERO CARDANICO	SHAFT	ARBRE CARDAN	KARDANWELLE
07	01	19952737	VITE	SCREW	VIS	SCHRAUBE
08	01	19954254	DADO	NUT	ECROU	MUTTER
09	01	19955517	ANELLO ELASTICO	LOCKRING	ARRETOIR	SICHERUNGSRING
10	02	19956225	INGRASSATORE	GREASE NIPPLE	GRAISSEUR	SCHMIERNIPPEL
11	01	19954046	DADO	NUT	ECROU	MUTTER
12	01	19952580	VITE	SCREW	VIS	SCHRAUBE
13a	01	15385005	SUPPORTO (Rugg.-Lom.- Int.)	SUPPORT (Rugg.-Lom.- Int.)	SUPPORT (Rugg.-Lom.- Int.)	HALTERUNG (Rugg.-Lom.- Int.)
13b	01	15385196	SUPPORTO (B. & S.)	SUPPORT (B. & S.)	SUPPORT (B. & S.)	HALTERUNG (B. & S.)
14	05	19956201	INGRASSATORE	GREASE NIPPLE	GRAISSEUR	SCHMIERNIPPEL
15	02	19952730	VITE (Rug.-Lom.- Int.)	SCREW (Rug.-Lom.- Int.)	VIS (Rug.-Lom.- Int.)	SCHRAUBE (Rug.-Lom.- Int.)
15	01	19952730	VITE (B. & S.)	SCREW (B. & S.)	VIS (B. & S.)	SCHRAUBE (B. & S.)
16	02	19955310	RONDELLA (Rug.-Lom.- Int.)	WASHER (Rug.-Lom.- Int.)	RONDELLE (Rug.-Lom.- Int.)	SCHEIBE (Rug.-Lom.- Int.)
16	01	19955310	RONDELLA (B. & S.)	WASHER (B. & S.)	RONDELLE (B. & S.)	SCHEIBE (B. & S.)
17a	01	15385050	GUIDA CINGHIA (Rug.-Lom.- Int.)	BELT GUIDE (Rug.-Lom.- Int.)	GUIDE COURROIE (R.- L.- I.)	RIEMENFÜHRUNG (R.-L.- I.)
17b	01	15385229	GUIDA CINGHIA (B. & S.)	BELT GUIDE (B. & S.)	GUIDE COURROIE (B. & S.)	RIEMENFÜHRUNG (B. & S.)
18a	01	15385226	ALBERO (Lomb.- Inter.)	SHAFT (Lomb.- Inter.)	ARBRE (Lomb.- Inter.)	WELLE (Lomb.- Inter.)
18b	01	15385197	ALBERO (B. & S.)	SHAFT (B. & S.)	ARBRE (B. & S.)	WELLE (B. & S.)
18c	01	15385031	ALBERO (Ruggerini)	SHAFT (Ruggerini)	ARBRE (Ruggerini)	WELLE (Ruggerini)
19	01	19956315	LINGUETTA	SPLINE	CLAVETTE	KEIL
20	01	15385009	SUPPORTO	SUPPORT	SUPPORT	HALTERUNG
21	02	19954208	DADO	NUT	ECROU	MUTTER
22	02	19952617	VITE	SCREW	VIS	SCHRAUBE
23	01	19952715	VITE	SCREW	VIS	SCHRAUBE
24	03	19955273	ROSETTA ELASTICA	SPRING WASHER	RONDELLE ELASTIQUE	FEDERSCHEIBE
25	01	19955010	RONDELLA	WASHER	RONDELLE	SCHEIBE
26	01	15385054	SUPPORTO	SUPPORT	SUPPORT	HALTERUNG
27	05	19954255	DADO	NUT	ECROU	MUTTER
28	04	12350422	SNODO SFERICO	BALL JOINT	JOINT A ROTULE	GELENK
29a	01	15385041	SUPPORTO (Rug.-Lom.- Int.) (fino a mat. 136528)	SUPPORT (Rug.-Lom.- Int.) (to p/n 136528)	SUPPORT (Rug.-Lom.- Int.) (jusq'a matr. 136528)	HALTERUNG (Rug.-Lom.- Int.) (bis zu mat. 136528)
29b	01	15385239	SUPPORTO (B. & S.) (fino a mat. 136528)	SUPPORT (B. & S.) (to p/n 136528)	SUPPORT (B. & S.) (jusq'a matr. 136528)	HALTERUNG (B. & S.) (bis zu mat. 136528)
29c	01	15385264	SUPPORTO (Rug.-Lom.- Int.) (da mat. 136529)	SUPPORT (Rug.-Lom.- Int.) (since s/n 136529)	SUPPORT (Rug.-Lom.- Int.) (dès matr. 136529)	HALTERUNG (Rug.-Lom.- Int.) (bei zu mat. 136529)
29d	01	15385266	SUPPORTO (B. & S.) (da mat. 136529)	SUPPORT (B. & S.) (since s/n 136529)	SUPPORT (B. & S.) (dès matr. 136529)	HALTERUNG (B. & S.) (bei zu mat. 136529)
30a	01	15385044	TIRANTE SX (Rug.-Lom.- Int.)	TIE-ROD, .L (Rug.-Lom.- Int.)	TIRANT G. (Rug.-Lom.- Int.)	SPANNBOLZEN L. (R - L.- I.)
30b	01	15385228	TIRANTE SX (B. & S.)	TIE-ROD, L. (B. & S.)	TIRANT G. (B. & S.)	SPANNBOLZEN L. (B. & S.)
31	01	15385042	TIRANTE DX	TIE-ROD, R.	TIRANT D.	SPANNBOLZEN R.
32	02	15385040	SPINA	PIN	GOUPILLE	STIFT
• 33a	01	15385016	MOZZO DX (fino a mat. 136528)	HUB R.H. (to p/n 136528)	MOYEU D. (jusq'a matr. 136528)	NABE R. (bis zu mat. 136528)

Tab. 2 – TELAIO - FRAME BODY - CHASSIS - GESTELL

REF.	Q.	COD.	DESCRIZIONE	DESCRIPTION	DESCRIPTION	BENENNUNG
33b	01	15385268	MOZZO DX (da mat. 136529)	HUB R.H. (since s/n 136529)	MOYEU D. (dès matr. 136529)	NABE R. (bei zu mat. 136529)
34a	01	15385002	AVANTRENO (fino a m. 136528)	FRONT AXLE (to s/n 136528)	ESSIEU (jusq'a matr. 136528)	VORDERACHSE (bis zu 136528)
34b	01	15385267	AVANTRENO (da mat. 136529)	FRONT AXLE (since s/n 136529)	ESSIEU (dès matr. 136529)	VORDERACHSE (bei zu 136529)
35a	01	15385001	MOZZO SX (fino a m. 136528)	HUB L.H. (to s/n 136528)	MOYEU G. (jusq'a matr. 136528)	NABE L.(bis zu mat. 136528)
35b	01	15385269	MOZZO SX (da mat. 136529)	HUB L.H. (since s/n 136529)	MOYEU G. (dès matr. 136529)	NABE L. (bei zu m. 136529)
36	02	19955517	ANELLO ELASTICO	LOCKRING	ARRETOIR	SICHERUNGSRING
37	02	19956049	SPESSORE (fino a m. 136528)	SHIM (to s/n 136528)	CALE D'EPAISSEUR (jus. 136528)	DISTANZSCHEIBE (bis zu 136528)
38	02	19956052	SPESSORE (fino a m. 136528)	SHIM (to s/n 136528)	CALE D'EPAISSEUR (jus, 136528)	DISTANZSCHEIBE (bis zu 136528)
39	02	12350420	MOZZO	HUB	MOYEU	NABE
40	08	15385211	VITE	SCREW	VIS	SCHRAUBE
41	02	14600811	DISCO RUOTA	RIM	JANTE	FELGE
42	02	14684419	CAMERA D'ARIA	TUBE	CHAMBRE A AIR	SCHLAUCH
43	02	14685519	PNEUMATICO	TYRE	PNEU	BEREIFUNG
44	02	12320819	RUOTA	WHEEL	ROUE	RAD
45	02	14685537	PNEUMATICO	TYRE	PNEU	BEREIFUNG
46	02	14603111	DISCO RUOTA	RIM	JANTE	FELGE
47	02	14684440	CAMERA D'ARIA	TUBE	CHAMBRE A AIR	SCHLAUCH
48	02	12322338	RUOTA	WHEEL	ROUE	RAD
49	01	14660202	ACCELERATORE DX	THROTTLE R.H.	ACCELERATEUR G.	GASHEBEL L.
50a	01	14660429	CAVO COMPL. (B. & S.)	WIRE, ASS.Y (B. & S.)	CABLE COMPL. (B. & S.)	V. STAHLDRAHT (B. & S.)
50b	01	14660428	CAVO COMPL. (Ruggerini)	WIRE, ASS.Y (Ruggerini)	CABLE COMPL. (Ruggerini)	V. STAHLDRAHT (Ruggerini)
50c	01	14660425	CAVO COMPL. (Lombardini)	WIRE, ASS.Y (Lombardini)	CABLE COMPL. (Lombardini)	V. STAHLDRAHT (Lombardini)
50d	01	14660427	CAVO COMPL. (Intermotor)	WIRE, ASS.Y (Intermotor)	CABLE COMPL. (Intermotor)	V. STAHLDRAHT (Intermotor)
51	01	19954206	DADO	NUT	ECROU	MUTTER
52	01	14660242	MORSETTO	CLAMP	SERRE-CABLE	SEILKLEMME
53	01	19956020	SPESSORE	SHIM	CALE D'EPAISSEUR	DISTANZSCHEIBE
54	02	19952710	VITE	SCREW	VIS	SCHRAUBE
55	02	19955052	RONDELLA	WASHER	RONDELLE	SCHEIBE
56	08	19955275	RONDELLA	WASHER	RONDELLE	SCHEIBE
57	08	19952723	VITE	SCREW	VIS	SCHRAUBE
58	01	19952618	VITE	SCREW	VIS	SCHRAUBE
59	01	19955274	RONDELLA	WASHER	RONDELLE	SCHEIBE
60	01	15385020	PIGNONE	PINION	PIGNON	RITZEL
61	01	19952134	VITE (B. & S.)	SCREW (B. & S.)	VIS (B. & S.)	SCHRAUBE (B. & S.)
62	01	19955053	RONDELLA (B. & S.)	WASHER (B. & S.)	RONDELLE (B. & S.)	SCHEIBE (B. & S.)
63	01	15385261	SUPPORTO (da matr. 125557)	SUPPORT (since s/n 125557)	SUPPORT (dès matr. 125557)	HALTERUNG (bei zu m. 125557)
64	02	19954254	DADO (da matr. 125557)	NUT (since s/n 125557)	ECROU (dès matr. 125557)	MUTTER (bei zu matr. 125557)
65	01	15385262	PROTEZ. (da matr. 125557)	GUARD (since s/n 125557)	CAPOT (dès matr. 125557)	SCHUTZ (bei zu matr. 125557)
66	02	19955053	RONDELLA (da matr. 125557)	WASHER (since s/n 125557)	RONDELLE (dès matr. 125557)	SCHEIBE (bei zu matr. 125557)
67	04	19955009	RONDELLA (da matr. 125557)	WASHER (since s/n 125557)	RONDELLE (dès matr. 125557)	SCHEIBE (bei zu matr. 125557)
68	04	19955273	ROSETTA EL. (da matr. 125557)	SPRING W. (since s/n 125557)	ROND. EL. (dès matr. 125557)	FEDERSCH. (bei zu m. 125557)
69	04	19952721	VITE (da matr. 125557)	SCREW (since s/n 125557)	VIS (dès matr. 125557)	SCHRAUBE (bei zu matr. 125557)
70	01	19954045	DADO (da mat. 136529)	NUT (since s/n 136529)	ECROU (dès matr. 136529)	MUTTER (bei zu m. 136529)
71	01	19952721	VITE (da mat. 136529)	SCREW (since s/n 136529)	VIS (dès matr. 136529)	SCHRAUBE (bei zu m. 136529)
72	02	15385263	PROTEZIONE (da mat. 136529)	GUARD (since s/n 136529)	PROTECTION (dès matr. 136529)	SCHUTZ (bei zu m. 136529)

Tab. 3 - COMANDI - DRIVES - COMMANDES - STEUERUNG

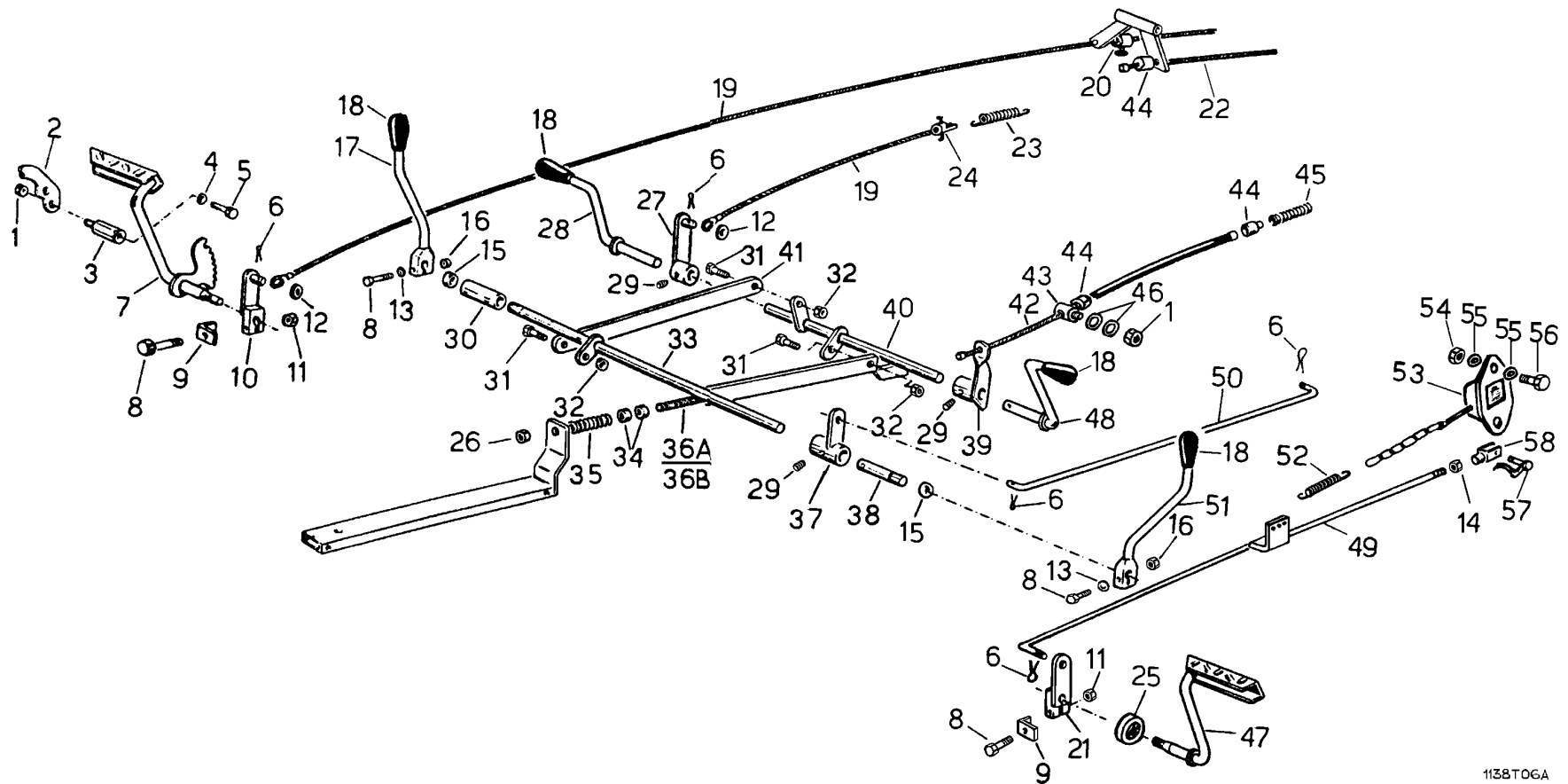


1138T07A

Tab. 3 – COMANDI - DRIVES - COMMANDES - STEUERUNG

REF.	Q.	COD.	DESCRIZIONE	DESCRIPTION	DESCRIPTION	BENENNUNG
01	02	14660184	POMELLO	KNOB	BOUTON	KUGELGRIFF
02	02	15385076	ASTA	ROD	TIGE	STANGE
03	04	19952607	VITE	SCREW	VIS	SCHRAUBE
04	02	19955051	RONDELLA	WASHER	RONDELLE	SCHEIBE
05	02	19954206	DADO	NUT	ECROU	MUTTER
06	02	15386003	COPRIASTA	COVER	PROTECTION	STANGENSCHUTZ
07	02	15385025	ASTA	ROD	TIGE	STANGE
08	02	19954809	ANELLO ELASTICO	LOCKRING	ARRETOIR	SICHERUNGSRING
09	02	19956007	SPESSORE	SHIM	CALE D'EPAISSEUR	DISTANZSCHEIBE
10	01	15385064	ASTA	ROD	TIGE	STANGE
11	07	19957116	COPIGLIA	COTTER PIN	GOUPILLE FENDUE	SPLINT
12	02	15385046	LEVA	LEVER	LEVIER	HEBEL
13	04	19955007	RONDELLA	WASHER	RONDELLE	SCHEIBE
14	04	19955306	ROSETTA ELASTICA	SPRING WASHER	RONDELLE ELASTIQUE	FEDERSCHEIBE
15	02	19952709	VITE	SCREW	VIS	SCHRAUBE
16a	01	14680402	SILENTBLOCK (B.&S.-L.- Int.)	SILENTBLOCK (B.&S.-L.- Int.)	SILENTBLOCK (B.&S.-L.- Int.)	SILENTBLOCK (B.&S.-L.- Int.)
16b	01	15386005	SILENTBLOCK (Ruggerini)	SILENTBLOCK (Ruggerini)	SILENTBLOCK (Ruggerini)	SILENTBLOCK (Ruggerini)
17	02	15205037	DISTANZIALE	SHIM	CALE D'EPAISSEUR	DISTANZSTÜCK
18	08	19954204	DADO	NUT	ECROU	MUTTER
19	08	19952103	VITE	SCREW	VIS	SCHRAUBE
20	05	19955053	RONDELLA	WASHER	RONDELLE	SCHEIBE
21	04	19954255	DADO	NUT	ECROU	MUTTER
22	01	15385037	SUPPORTO	SUPPORT	SUPPORT	HALTERUNG
23	01	15385039	SUPPORTO	SUPPORT	SUPPORT	HALTERUNG
24	01	15385065	ASTA	ROD	TIGE	STANGE
25	01	15385066	ASTA	ROD	TIGE	STANGE
26	01	15385067	ASTA	ROD	TIGE	STANGE
27	01	15385051	GUIDA CINGHIA	BELT DRIVE	GUIDE-COURROIE	RIEMENFÜHRUNG
28	01	19952650	VITE	SCREW	VIS	SCHRAUBE
29a	01	15385060	SUPPORTO (Lomb.- Inter.)	SUPPORT (Lomb.- Inter.)	SUPPORT (Lomb.- Inter.)	HALTERUNG (Lomb.- Inter.)
29b	01	15385071	SUPPORTO (Ruggerini)	SUPPORT (Ruggerini)	SUPPORT (Ruggerini)	HALTERUNG (Ruggerini)
29c	01	15385130	SUPPORTO (B. & S.)	SUPPORT (B. & S.)	SUPPORT (B. & S.)	HALTERUNG (B. & S.)
30	01	15001013	MOLLA	SPRING	RESSORT	FEDER
31	01	19952655	VITE	SCREW	VIS	SCHRAUBE
32	02	15385029	PULEGGIA	PULLEY	POULIE	RIEMENSCHLEIBE
33	02	19955274	ROSETTA ELASTICA	SPRING WASHER	RONDELLE ELASTIQUE	FEDERSCHLEIBE
34	02	19952730	VITE	SCREW	VIS	SCHRAUBE

Tab. 4 - COMANDI A PEDALE- DRIVES - COMMANDES - FUSS-STEUERUNG



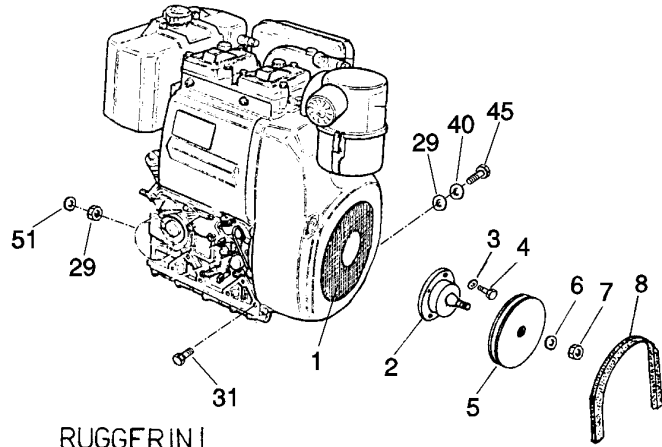
Tab. 4 – COMANDI A PEDALE- DRIVES - COMMANDES - FUSS-STEUERUNG

REF.	Q.	COD.	DESCRIZIONE	DESCRIPTION	DESCRIPTION	BENENNUNG
01	02	19954254	DADO	NUT	ECROU	MUTTER
02	01	15385078	NOTTOLINO	PAWL	CLIQUET	SPERRKLINKE
03	01	15385080	PERNO	PIN	AXE	BOLZEN
04	01	19955273	ROSETTA ELASTICA	SPRING WASHER	RONDELLE ELASTIQUE	FEDERSCHEIBE
05	01	19952710	VITE	SCREW	VIS	SCHRAUBE
06	05	19957116	COPIGLIA	COTTER PIN	GOUPILLE FENDUE	SPLINT
07	01	15385068	PEDALE DX	PEDAL, R.H.	PEDAL	PEDAL
08	04	19952607	VITE	SCREW	VIS	SCHRAUBE
09	02	15385081	SQUADRETTA	BRACKET	EQUERRE	WINKEL
10	01	15385035	LEVA	LEVER	LEVIER	HEBEL
11	02	19954253	DADO	NUT	ECROU	MUTTER
12	02	19955053	RONDELLA	WASHER	RONDELLE	SCHEIBE
13	02	19955051	RONDELLA	WASHER	RONDELLE	SCHEIBE
14	01	19954045	DADO	NUT	ECROU	MUTTER
15	02	15385084	DISTANZIALE	SHIM	CALE D'EPaisseur	DISTANZSCHEIBE
16	02	19954206	DADO	NUT	ECROU	MUTTER
17	01	15385047	LEVA	LEVER	LEVIER	HEBEL
18	04	14660184	POMELLO	KNOB	BOUTON	KUGELGRIFF
19	02	14660503	FILO	WIRE	CABLE	STAHLDRAHT
20	01	14660243	MORSETTO	CLAMP	SERRE-CABLE	DRAHTKLEMME
21	01	15385144	LEVA	LEVER	LEVIER	HEBEL
22	01	14660504	FILO	WIRE	CABLE	STAHLDRAHT
23	01	15001048	MOLLA (sollev.manuale)	SPRING (Manual Lift)	RESSORT (relevage manuel)	FEDER (Handkraftheber)
24	01	15385227	MORSETTO	CLAMP	SERRE-CABLE	DRAHTKLEMME
25	01	15385199	SPESSORE	SHIM	CALE D'EPaisseur	DISTANZSCHEIBE
26	01	19954255	DADO	NUT	ECROU	MUTTER
27	01	15385058	LEVA (sollev.manuale)	LEVER (Manual lift)	LEVIER (relevage manuel)	HEBEL (Handkraftheber)
28	01	15385086	LEVA (sollev.manuale)	LEVER (Manual lift)	LEVIER (relevage manuel)	HEBEL (Handkraftheber)
29	03	19952514	VITE	SCREW	VIS	SCHRAUBE
30	01	15385055	BOCCOLA	BUSH	DOUILLE	BÜCHSE
31	03	19952729	VITE	SCREW	VIS	SCHRAUBE
32	03	19954208	DADO	NUT	ECROU	MUTTER
33	01	15385026	PERNO	PIN	AXE	BOLZEN
34	02	19954046	DADO	NUT	ECROU	MUTTER
35	01	15001030	MOLLA	SPRING	RESSORT	FEDER
36a	01	15385059	TIRANTE (B&S - Int.-Lomb.)	TIE-ROD (B&S - Int.-Lomb.)	TIRANT (B&S - Int.-Lomb.)	SPANNBOLZEN (B&S - Int.-Lo.)
36b	01	15385131	TIRANTE (Ruggerini)	TIE-ROD (Ruggerini)	TIRANT (Ruggerini)	SPANNBOLZEN (Ruggerini)
37	01	15385057	LEVA	LEVER	LEVIER	HEBEL
38	01	15385027	PERNO	PIN	AXE	BOLZEN
39	01	15385045	LEVA	LEVER	LEVIER	HEBEL
40	01	15385034	PERNO	PIN	AXE	BOLZEN
41	01	15385033	ASTA	ROD	TIGE	STANGE
42	01	14660501	TRASMISSIONE	WIRE, ASS.Y	CABLE COMPLET	SEILZUG KOMPLETT
43	01	15385219	FERMAFILO	FASTENER	SERRECABLE	SEILKLEMME
44	03	14660250	BUSSOLA	BUSH	DOUILLE	BÜCHSE

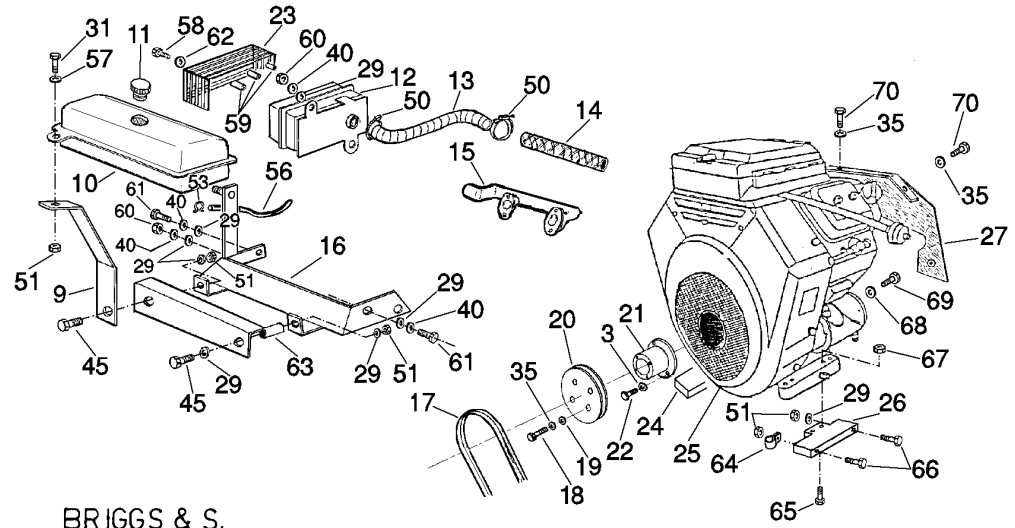
Tab. 4 – COMANDI A PEDALE- DRIVES - COMMANDES - FUSS-STEUERUNG

REF.	Q.	COD.	DESCRIZIONE	DESCRIPTION	DESCRIPTION	BENENNUNG
45	01	15001012	MOLLA	SPRING	RESSORT	FEDER
46	02	19955052	RONDELLA	WASHER	RONDELLE	SCHEIBE
47	01	15385069	PEDALE SX	PEDAL, (L. H.)	PEDAL (GAUCHE)	PEDAL (LINKS)
48	01	15385085	LEVA	LEVER	LEVIER	HEBEL
49	01	15385143	ASTA	ROD	TIGE	STANGE
50	01	15385063	ASTA	ROD	TIGE	STANGE
51	01	15385048	LEVA	LEVER	LEVIER	HEBEL
52	01	15001013	MOLLA	SPRING	RESSORT	FEDER
53	01	14660412	MICRO INTERRUTTORE	SWITCH	INTERRUPTEUR	SCHALTER
54	02	19954205	DADO	NUT	ECROU	MUTTER
55	04	19955050	RONDELLA	WASHER	RONDELLE	SCHEIBE
56	02	19952713	VITE	SCREW	VIS	SCHRAUBE
57	01	15001097	PERNO	PIN	AXE	BOLZEN
58	01	15001098	FORCELLA	FORK	FOURCHE	GABEL

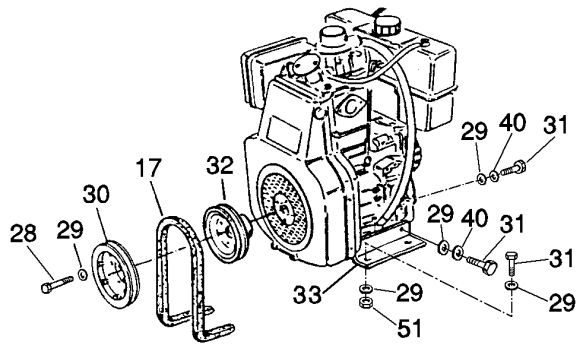
Tab. 5 — TRASMISSIONE - TRANSMISSION - TRANSMISSION - TRANSMISSION



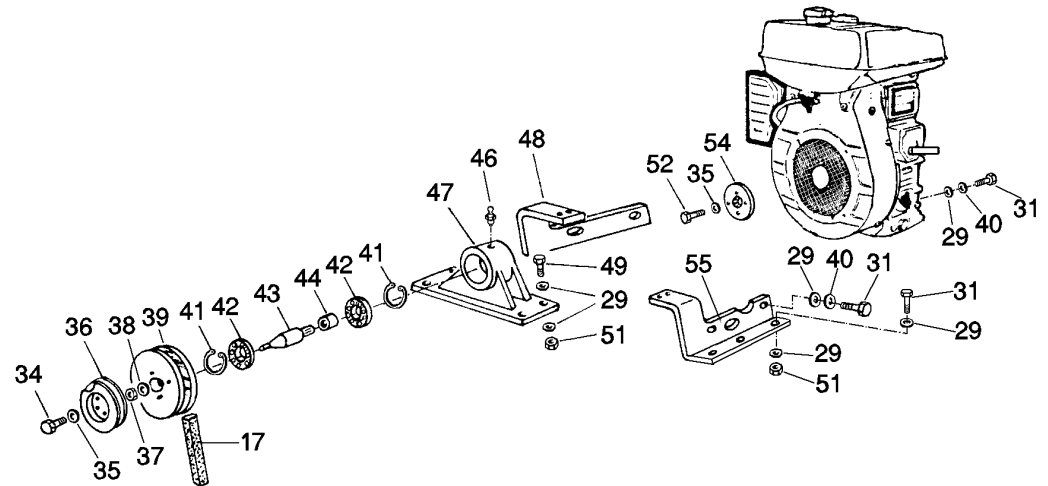
RUGGERINI



BRIGGS & S.



LOMBARDINI 6LD 400



INTERMOTOR IM 350

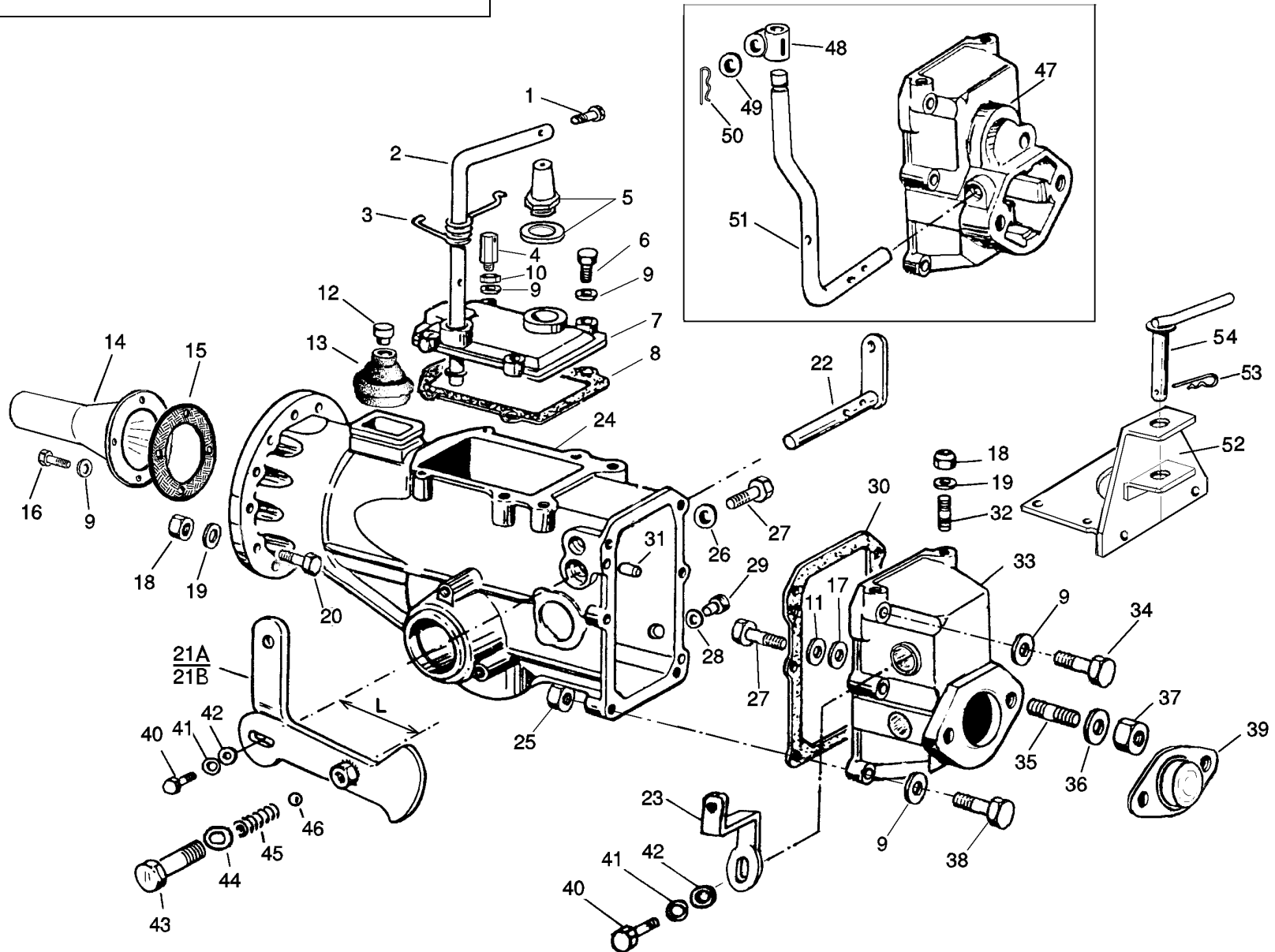
Tab. 5 — TRASMISSIONE - TRANSMISSION - TRANSMISSION - TRANSMISSION

REF.	Q.	COD.	DESCRIZIONE	DESCRIPTION	DESCRIPTION	BENENNUNG
01	—	—	NON FORNIBILE	N/A	NON FORNIBILE	NICHT VERFÜGBAR
02	01	15385139	FLANGIA	FLANGE	BRIDE	FLANSCH
03	06	19955308	RONDELLA ELASTICA	WASHER	RONDELLE ELASTIQUE	FEDERSCHEIBE
04	04	19952715	VITE	SCREW	VIS	SCRAUBE
05	01	15385079	PULEGGIA	PULLEY	POULIE	RIEMENSCHLEIBE
06	01	19955056	RONDELLA	PLAIN WASHER	RONDELLE	SCHEIBE
07	01	19954258	DADO	NUT	ECROU	MUTTER
08	01	14681014	CINGHIA	BELT	COURROIE	RIEMEN
09	01	15385201	SUPPORTO	SUPPORT	SUPPORT	HALTERUNG
10	01	16050005	SERBATOIO	TANK	RESERVOIR	TANK
11	01	16050006	TAPPO	PLUG	BOUCHON	STOPFEN
12	01	14610212	MARMITTA	MUFFLER	POT D'ECHAPPEMENT	AUSPUFFTOPF
13	01	15385202	MANICOTTO	FITTING	MANCHON	MUFFE
14	01	15385203	COPRI MANICOTTO	PROTECTION	PROTECTION	MUFFENSCHUTZ
15	01	15385204	COLLETTORE	EXHAUST MANIFOLD	COLLECTOR	KOLLEKTOR
16	01	15385161	SUPPORTO	SUPPORT	SUPPORT	HALTERUNG
17	03	14681013	CINGHIA	BELT	COURROIE	RIEMEN
18	04	19952132	VITE	SCREW	VIS	SCRAUBE
19	04	19955051	RONDELLA ELASTICA	SPRING WASHER	RONDELLE	FEDERSCHLEIBE
20	01	15385157	PULEGGIA	PULLEY	POULIE	RIEMENSCHLEIBE
21	01	15385091	FLANGIA	FLANGE	BRIDE	FLANSCH
22	—	—	NON FORNIBILE	N/A	NON FORNIBILE	NICHT VERFÜGBAR
23	01	14610219	PROTEZIONE	GUARD	PROTECTION	SCHUTZ
24	01	15385205	SUPPORTO	SUPPORT	SUPPORT	HALTERUNG
25	01	15385213	RETE PROTEZIONE	NET	FILET	SCHUTZNETZ
26	01	15385206	SUPPORTO	SUPPORT	SUPPORT	HALTERUNG
27	01	15385164	CARTER	CASE	CARTER	GEHÄUSE
28	04	19952610	VITE	SCREW	VIS	SCHEIBE
29	14	19955052	RONDELLA (Ruggerini)	PLAIN WASHER (Ruggerini)	RONDELLE (Ruggerini)	SCHEIBE (Ruggerini)
29	22	19955052	RONDELLA (Lombardini)	PLAIN WASHER (Lombardini)	RONDELLE (Lombardini)	SCHEIBE (Lombardini)
29	34	19955052	RONDELLA (Intermotor)	PLAIN WASHER (Intermotor)	RONDELLE (Intermotor)	SCHEIBE (Intermotor)
29	10	19955052	RONDELLA (B. & S.)	PLAIN WASHER (B. & S.)	RONDELLE (B. & S.)	SCHEIBE (B. & S.)
30	—	—	NON FORNIBILE	N/A	NON FORNIBILE	NICHT VERFÜGBAR
31	04	19952729	VITE (Ruggerini)	SCREW (Ruggerini)	VIS (Ruggerini)	SCHEIBE (Ruggerini)
31	14	19952729	VITE (Lombardini)	SCREW (Lombardini)	VIS (Lombardini)	SCHEIBE (Lombardini)
31	20	19952729	VITE (Intermotor)	SCREW (Intermotor)	VIS (Intermotor)	SCHEIBE (Intermotor)
31	01	19952729	VITE (B. & S.)	SCREW (B. & S.)	VIS (B. & S.)	SCHEIBE (B. & S.)
32	01	15385017	PULEGGIA	PULLEY	POULIE	RIEMENSCHLEIBE
33	02	15385052	SUPPORTO MOTORE	SUPPORT	SUPPORT	HALTERUNG
34	04	19952720	VITE	SCREW	VIS	SCHEIBE
35	15	19955306	RONDELLA ELASTICA	SPRING WASHER	RONDELLE ELASTIQUE	FEDERSCHLEIBE
36	—	—	NON FORNIBILE	N/A	NON FORNIBILE	NICHT VERFÜGBAR
37	01	19954227	DADO	NUT	ECROU	MUTTER
38	01	15385220	DISTANZIALE	SHIM	CALE D'EPAISSEUR	DISTANZSCHEIBE
39	01	15385194	PULEGGIA	PULLEY	POULIE	RIEMENSCHLEIBE

Tab. 5 — TRASMISSIONE - TRANSMISSION - TRANSMISSION - TRANSMISSION

REF.	Q.	COD.	DESCRIZIONE	DESCRIPTION	DESCRIPTION	BENENNUNG
40	08	19955273	RONDELLA ELAST. (Rug.)	SPRING WASHER (Ruggerini)	RONDELLE (Ruggerini)	FEDERSCHEIBE (Ruggerini)
40	10	19955273	RONDELLA ELAST. (Lomb.)	SPRING WASHER (Lombardini)	RONDELLE (Lombardini)	FEDERSCHEIBE (Lombardini)
40	14	19955273	RONDELLA ELAST. (Inter.)	SPRING WASHER (Inter.)	RONDELLE (Inter.)	FEDERSCHEIBE (Inter.)
40	04	19955273	RONDELLA ELAST. (B. & S.)	SPRING WASHER (B. & S.)	RONDELLE (B. & S.)	FEDERSCHEIBE (B. & S.)
41	02	19955652	ANELLO ELASTICO	LOCKRING	ARRETOIR	SICHERUNGSRING
42	02	19900327	CUSCINETTO	BEARING	ROULEMENT	LAGER
43	01	15224027	SEMIASSE SX	HALF-SHAFT	DEMI-ESSIU	ACHSWELLE
44	01	15385246	DISTANZIALE	SPACER	ENTRETOISE	DISTANZSTÜCK
45	04	19952617	VITE (Ruggerini)	SCREW (Ruggerini)	VIS (Ruggerini)	SCHRAUBE (Ruggerini)
45	02	19952617	VITE (B. & S.)	SCREW (B. & S.)	VIS (B. & S.)	SCHRAUBE (B. & S.)
46	01	19956201	INGRASSATORE DIRITTO	GREASE NIPPLE	GRAISSEUR	SCHMIERNIPPEL
47	01	15385149	SUPPORTO	SUPPORT	SUPPORT	HALTERUNG
48	01	15385073	SUPPORTO	SUPPORT	SUPPORT	HALTERUNG
49	04	19952605	VITE	SCREW	VIS	SCHRAUBE
50	02	19957032	FASCETTA	COLLAR	COLLIER	HALTERBAND
51	10	19954208	DADO (Inter.)	NUT (Inter.)	ECROU (Inter.)	MUTTER (Inter.)
51	06	19954208	DADO (Ruggerini)	NUT (Ruggerini)	ECROU (Ruggerini)	MUTTER (Ruggerini)
51	04	19954208	DADO (Lombardini)	NUT (Lombardini)	ECROU (Lombardini)	MUTTER (Lombardini)
51	07	19954208	DADO (B. & S.)	NUT (B. & S.)	ECROU (B. & S.)	MUTTER (B. & S.)
52	04	19952127	VITE	SCREW	VIS	SCHRAUBE
53	01	14680111	FASCETTA	COLLAR	COLLIER	HALTERBAND
54	01	15385148	FLANGIA	FLANGE	BRIDE	FLANSCH
55	01	15385072	SUPPORTO	SUPPORT	SUPPORT	HALTERUNG
56	01	15386004	TUBO	HOSE	TUYAU	ROHR
57	01	19955009	RONDELLA	PLAIN WASHER	RONDELLE	SCHEIBE
58	03	19953102	VITE	SCREW	VIS	SCHRAUBE
59	03	15205043	DISTANZIALE	SPACER	ENTRETOISE	DISTANZSTÜCK
60	02	19954045	DADO	NUT	ECROU	MUTTER
61	02	19952721	VITE	SCREW	VIS	SCHRAUBE
62	03	19955050	RONDELLA ELASTICA	SPRING WASHER	RONDELLE	FEDERSCHEIBE
63	02	15405063	DISTANZIALE	SPACER	ENTRETOISE	DISTANZSTÜCK
64	01	14680802	FASCETTA	COLLAR	COLLIER	HALTERBAND
65	04	19952141	VITE	SCREW	VIS	SCHRAUBE
66	04	19952133	VITE	SCREW	VIS	SCHRAUBE
67	04	19954254	DADO	NUT	ECROU	MUTTER
68	04	19955274	RONDELLA	PLAIN WASHER	RONDELLE	SCHEIBE
69	—	—	NON FORNIBILE	N/A	NON FORNIBLE	NICHT VERFÜGBAR
70	03	19952113	VITE	SCREW	VIS	SCHRAUBE

Tab. 6 — CARTER - CASE - CARTER - GEHÄUSE



Tab. 6 — CARTER - CASE - CARTER - GEHÄUSE

REF.	Q.	COD.	DESCRIZIONE	DESCRIPTION	DESCRIPTION	BENENNUNG
01	01	19952709	VITE	SCREW	VIS	SCHRAUBE
02	01	15225043	LEVA	LEVER	LEVIER	HEBEL
03	01	15227056	MOLLA	SPRING	RESSORT	FEDER
04	01	15385238	DISTANZIALE	SPACER	ENTRETOISE	DISTANZSTÜCK
05	01	14660121	TAPPO	PLUG	BOUCHON	STOPFEN
06	03	19952137	VITE	SCREW	VIS	SCHRAUBE
07	01	15202004	COPERCHIO	COVER	COUVERCLE	DECKEL
08	01	15206051	GUARNIZIONE	GASKET	JOINT	DICHTUNG
09	13	19955308	RONDELLA	WASHER	RONDELLE	SCHEIBE
10	01	19954045	DADO	NUT	ECROU	MUTTER
11	01	19955306	RONDELLA	WASHER	RONDELLE	SCHEIBE
12	01	19922312	TAPPO	PLUG	BOUCHON	STOPFEN
13	01	14680508	CUFFIA IN GOMMA	COWLING	PROTEC. EN CAOUTCHUC	SCHUTZKAPPE
14	01	15201009	MANICOTTO	FITTING	MANCHON	MUFFE
15	01	15206052	GUARNIZIONE	GASKET	JOINT	DICHTUNG
16	03	19952128	VITE	SCREW	VIS	SCHRAUBE
17	01	19955007	RONDELLA	WASHER	RONDELLE	SCHEIBE
18	10	19954208	DADO	NUT	ECROU	MUTTER
19	10	19955052	RONDELLA	WASHER	RONDELLE	SCHEIBE
20	06	19952747	VITE	SCREW	VIS	SCHRAUBE
21a	01	15385159	LEVA (L=50 mm)	LEVER (L=50 mm)	LEVIER (L=50 mm)	HEBEL (L=50 mm)
21b	01	15385000	LEVA (L=63mm)	LEVER (L=63mm)	LEVIER (L=63mm)	HEBEL (L=63mm)
22	01	15385015	LEVA	LEVER	LEVIER	HEBEL
23	01	15385163	LEVA (nuovo mod.)	LEVER (new model)	LEVIER (modèle nouveau)	HEBEL (neues modell)
24	01	15201002	CARTER	CASE	CARTER	GEHÄUSE
25	02	19954254	DADO	NUT	ECROU	MUTTER
26	01	19956166	RONDELLA	WASHER	RONDELLE	SCHEIBE
27	02	19952714	VITE	SCREW	VIS	SCHRAUBE
28	01	19956110	RONDELLA	WASHER	RONDELLE	SCHEIBE
29	01	15005013	TAPPO	PLUG	BOUCHON	STOPFEN
30	01	15206050	GUARNIZIONE	GASKET	JOINT	DICHTUNG
31	02	19955915	SPINA	PIN	GOUPILLE	STIFT
32	04	15004013	PRIGIONIERO	STUD	GOUJON	STIFTSCHRAUBE
33	01	15431003	COPERCHIO	COVER	COUVERCLE	DECKEL
34	04	19952151	VITE	SCREW	VIS	SCHRAUBE
35	02	15004030	PRIGIONIERO	STUD	GOUJON	STIFTSCHRAUBE
36	02	15205037	DISTANZIALE	SPACER	ENTRETOISE	DISTANZSTÜCK
37	02	19954212	DADO	NUT	ECROU	MUTTER
38	02	19952146	VITE	SCREW	VIS	SCHRAUBE
39	01	15056007	COPERCHIO	COVER	COUVERCLE	DECKEL
40	02	19952715	VITE	SCREW	VIS	SCHRAUBE

Tab. 6 — CARTER - CASE - CARTER - GEHÄUSE

REF.	Q.	COD.	DESCRIZIONE	DESCRIPTION	DESCRIPTION	BENENNUNG
41	02	19955408	ROSETTA ELASTICA	SPRING WASHER	RONDELLE ELASTIQUE	FEDERSCHEIBE
42	02	19955009	RONDELLA	WASHER	RONDELLE	SCHEIBE
43	01	15405050	VITE	SCREW	VIS	SCHRAUBE
44	01	19956007	SPESSORE	SHIM	CALE D'EPAISSEUR	DISTANZSCHEIBE
45	01	15001008	MOLLA	SPRING	RESSORT	FEDER
46	01	19900015	SFERA	BALL	BILLE	KUGEL
47	01	15201003	COPERCHIO (vecchio mod.)	COVER (old model)	COUVERCLE (vieux modèle)	DECKEL (altes modell)
48	01	14660136	SNODO	JOINT	JOINT	GELENK
49	01	19955053	RONDELLA	WASHER	RONDELLE	SCHEIBE
50	01	15001081	COPIGLIA	SPLIT PIN	GOUPILLE FENDUE	SPLINT
51	01	15205045	LEVA (vecchio mod.)	LEVER (old model)	LEVIER (vieux modèle)	HEBEL (altes modell)
52	01	15385120	ATTACCO TRAINO	TOW HOOK	ATTELAGE	VERBINDUNGSSTÜCK
53	01	15001085	SPINA A MOLLA	SPRING CLIP	GOUPILLE RAPIDE	VORSTECKER
54	01	15055079	PERNO	PIN	AXE	STIFT

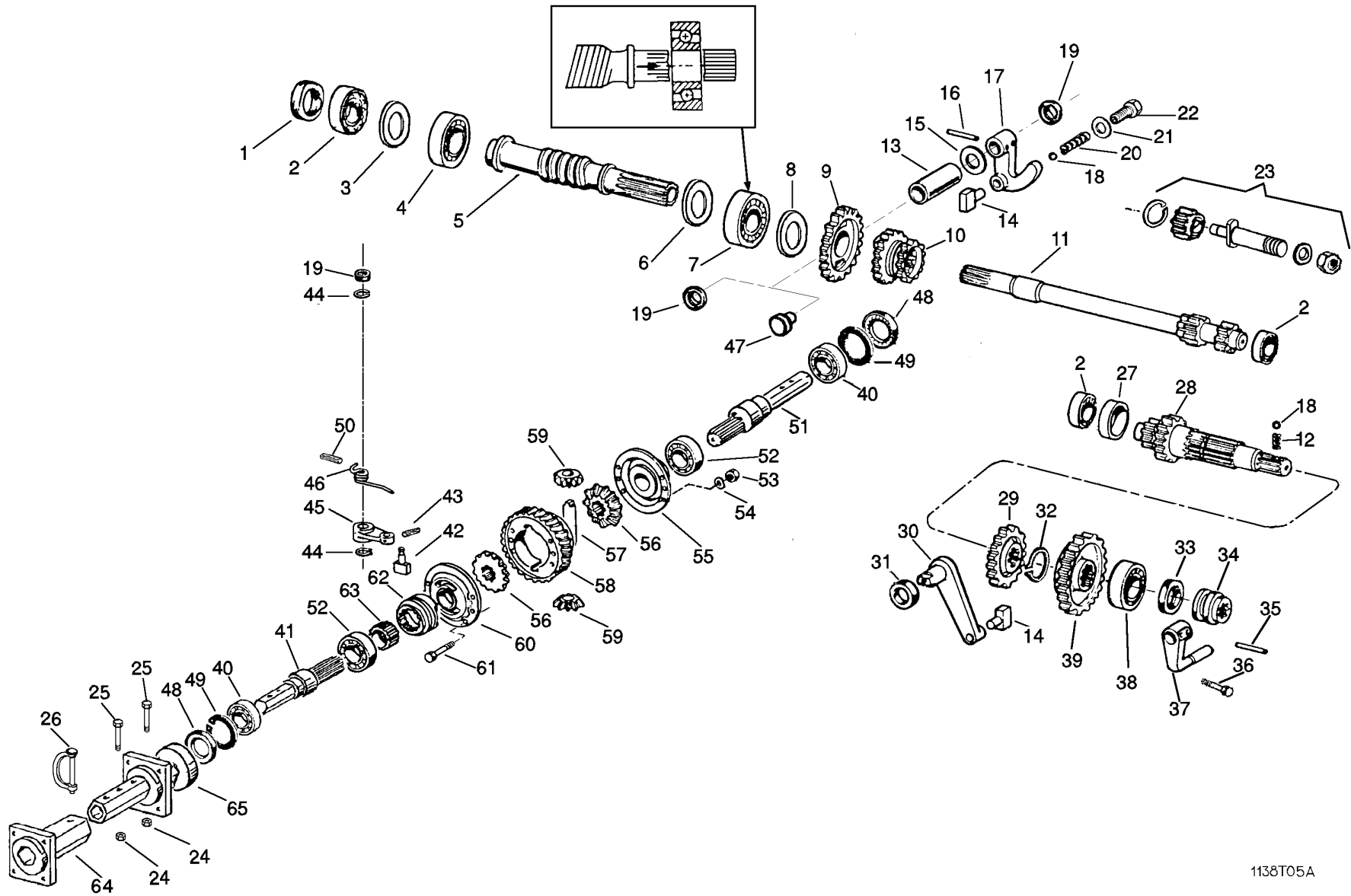
Tab. 7 — CAMBIO DI VELOCITÀ - GEARBOX - CHANGEMENT DE VITESSES - GETRIEBE

REF.	Q.	COD.	DESCRIZIONE	DESCRIPTION	DESCRIPTION	BENENNUNG
01	01	19922053	ANELLO DI TENUTA	SEAL RING	JOINT D'ETANCHEITE	DICHTRING
02	03	19900311	CUSCINETTO	BEARING	ROULEMENT	LAGER
03	01	19956053	SPESSORE	SHIM	CALE D'EPAISSEUR	DISTANZSCHEIBE
04	01	19901005	CUSCINETTO	BEARING	ROULEMENT	LAGER
05	01	15204011	VITE SENZA FINE	WORM SCREW	VIS SANS FIN	ENDLOSSCHRAUBE
06	01	15204053	DISTANZIALE	SHIM	CALE D'EPAISSEUR	DISTANZSCHEIBE
07	01	19900811	CUSCINETTO	BEARING	ROULEMENT	LAGER
08	01	19956035	SPESSORE	SHIM	CALE D'EPAISSEUR	DISTANZSCHEIBE
09	01	15204013	CORONA DENTATA	RING GEAR	COURONNE DENTEE	ZAHNKRANZ
10	01	15204012	INGRANAGGIO SCORREV.	SLIDING GEAR	BALADEUR	SCHIEBERÄDERGETRIEBE
11	01	15204010	ALBERO	SHAFT	ARBRE	WELLE
12	01	19955515	ANELLO ELASTICO	LOCKRING	ARRETOIR	SICHERUNGSRING
13	01	15205073	DISTANZIALE	SPACER	ENTRETOISE	DISTANZSTÜCK
14	02	15204037	PATTINO	SLIDING SHOE	PATIN	GLEITSTÜCK
15	01	19956005	SPESSORE	SHIM	CALE D'EPAISSEUR	DISTANZSCHEIBE
16	02	19955724	SPINA ELASTICA	ROLL PIN	GOUPILLE ELAST.	STIFT
17	01	15203033	LEVA	LEVER	LEVIER	HEBEL
18	01	19900012	SFERA	BALL	BILLE	KUGEL
19	03	19922031	ANELLO DI TENUTA	SEAL RING	JOINT D'ETANCHEITE	DICHTRING
20	01	15207088	MOLLA	SPRING	RESSORT	FEDER
21	01	19955012	RONDELLA	WASHER	RONDELLE	SCHEIBE
22	01	15205049	VITE	SCREW	VIS	SCHRAUBE
23	01	19954812	ANELLO RADIALE	LOCKRING	ARRETOIR	SICHERUNGSRING
24	02	19956017	SPESSORE	SHIM	CALE D'EPAISSEUR	DISTANZSTÜCK
25	01	15434010	ALBERO	SHAFT	ARBRE	WELLE
26	01	15434011	INGRANAGGIO	GEAR	ENGRENAGE	ZAHNRAD
27	01	15204032	DISTANZIALE	SHIM	CALE D'EPAISSEUR	DISTANZSCHEIBE
28	01	15434024	ALBERO	SHAFT	ARBRE	WELLE
29	05	19955530	ANELLO ELASTICO	LOCKRING	ARRETOIR	SICHERUNGSRING
30	01	15385237	LEVA	LEVER	LEVIER	HEBEL
31	02	19922066	ANELLO DI TENUTA	SEAL RING	JOINT D'ETANCHEITE	DICHTRING
32	02	19956043	SPESSORE	SHIM	CALE D'EPAISSEUR	DISTANZSCHEIBE
33	01	15434025	CORONA DENTATA	RING GEAR	COURONNE DENTEE	ZAHNKRANZ
34	01	15434023	CORONA DENTATA	RING GEAR	COURONNE DENTEE	ZAHNKRANZ
35	01	15434015	INNESTO SCORREVOLE	DOG-CLAW	CLABOT	SCHIEBEKUPPLUNG
36	03	19900231	CUSCINETTO	BEARING	ROULEMENT	LAGER
37	01	15434022	MANICOTTO	FITTING	MANCHON	MUFFE
38	01	19922221	ANELLO DI TENUTA	SEAL RING	JOINT D'ETANCHEITE	DICHTRING
39	01	15205176	LEVA	LEVER	LEVIER	HEBEL
40	01	19900017	SFERA	BALL	BILLE	KUGEL
41	01	15224077	SEMIASSE SX	HALF-SHAFT (L.H.)	DEMI-ESSIU GAUCHE	HINTERACHSWELLE L.
42	01	15224036	PATTINO	SLIDING SHOE	PATIN	GLEITSTÜCK

Tab. 7 — CAMBIO DI VELOCITÀ - GEARBOX - CHANGEMENT DE VITESSES - WECHSELGETRIEBE

REF.	Q.	COD.	DESCRIZIONE	DESCRIPTION	DESCRIPTION	BENENNUNG
43	01	19955719	SPINA ELASTICA	ROLL PIN	GOUPILLE ELAST	STIFT
44	02	19955512	ANELLO ELASTICO	LOCKRING	ARRETOIR	SICHERUNGSRING
45	01	15223035	LEVA	LEVER	LEVIER	HEBEL
46	01	15227055	MOLLA	SPRING	RESSORT	FEDER
47	01	19922296	TAPPO	PLUG	BOUCHON	STOPFEN
48	02	19922223	ANELLO DI TENUTA	SEAL RING	JOINT D'ETANCHEITE	DICHTRING
49	02	19955655	ANELLO ELASTICO	LOCKRING	ARRETOIR	SICHERUNGSRING
50	01	19955723	SPINA	PIN	GOUPILLE	STIFT
51	01	15224076	SEMIASSE DX	HALF-SHAFT (R.H.)	DEMI-ESSIU DROITE	HINTERACHSWELLE R.
52	02	19900326	CUSCINETTO	BEARING	ROULEMENT	LAGER
53	06	19953603	DADO	NUT	ECROU	MUTTER
54	06	19955306	ROSETTA ELASTICA	SPRING WASHER	RONDELLE ELASTIQUE	FEDERSCHEIBE
55	01	15224025	COPERCHIO	COVER	COUVERCLE	DECKEL
56	02	15224023	INGRANAGGIO	GEAR	PIGNON	ZAHNRAD
57	01	15224030	PERNO	PIN	AXE	BOLZEN
58	01	15224022	CORONA DENTATA	RING GEAR	COURONNE DENTEE	ZAHNKRANZ
59	02	15224031	INGRANAGGIO	GEAR	PIGNON	ZAHNRAD
60	01	15224024	COPERCHIO	COVER	COUVERCLE	DECKEL
61	06	19952245	VITE	SCREW	VIS	SCHRAUBE
62	01	15224029	INGRANAGGIO SCORREV.	SLIDING GEAR	BALADEUR	SCHIEBERÄDERGETRIEBE
63	01	15224028	MANICOTTO	FITTING	MANCHON	MUFFE
64	02	15195117	MOZZO	HUB	MOYEU	NABE
65	02	15205100	SUPPORTO	SUPPORT	SUPPORT	HALTERUNG
66	04	19954208	DADO	NUT	ECROU	MUTTER
67	04	19952146	VITE	SCREW	VIS	SCHRAUBE
68	02	15155049	SPINA	PIN	GOUPILLE	STIFT
69	01	15205175	VITE	SCREW	VIS	SCHRAUBE
70	01	19956031	SPESSORE	SHIM	CALE D'EPaisseur	DISTANZSCHEIBE
71	01	19956110	RONDELLA	WASHER	RONDELLE	SCHEIBE
72	01	15205142	MOLLA	SPRING	RESSORT	FEDER
73	01	15205174	BUSSOLA	BUSH	DOUILLE	BÜCHSE
74	01	19955056	RONDELLA	WASHER	RONDELLE	SCHEIBE
75	01	19955516	ANELLO ELASTICO	LOCKRING	ARRETOIR	SICHERUNGSRING

Tab. 8 – CAMBIO (VECCHIO TIPO) - GEARBOX (OLD MOD.)- CHANGEMENT DE VITESSES (VIEUX MOD.) - GETRIEBE



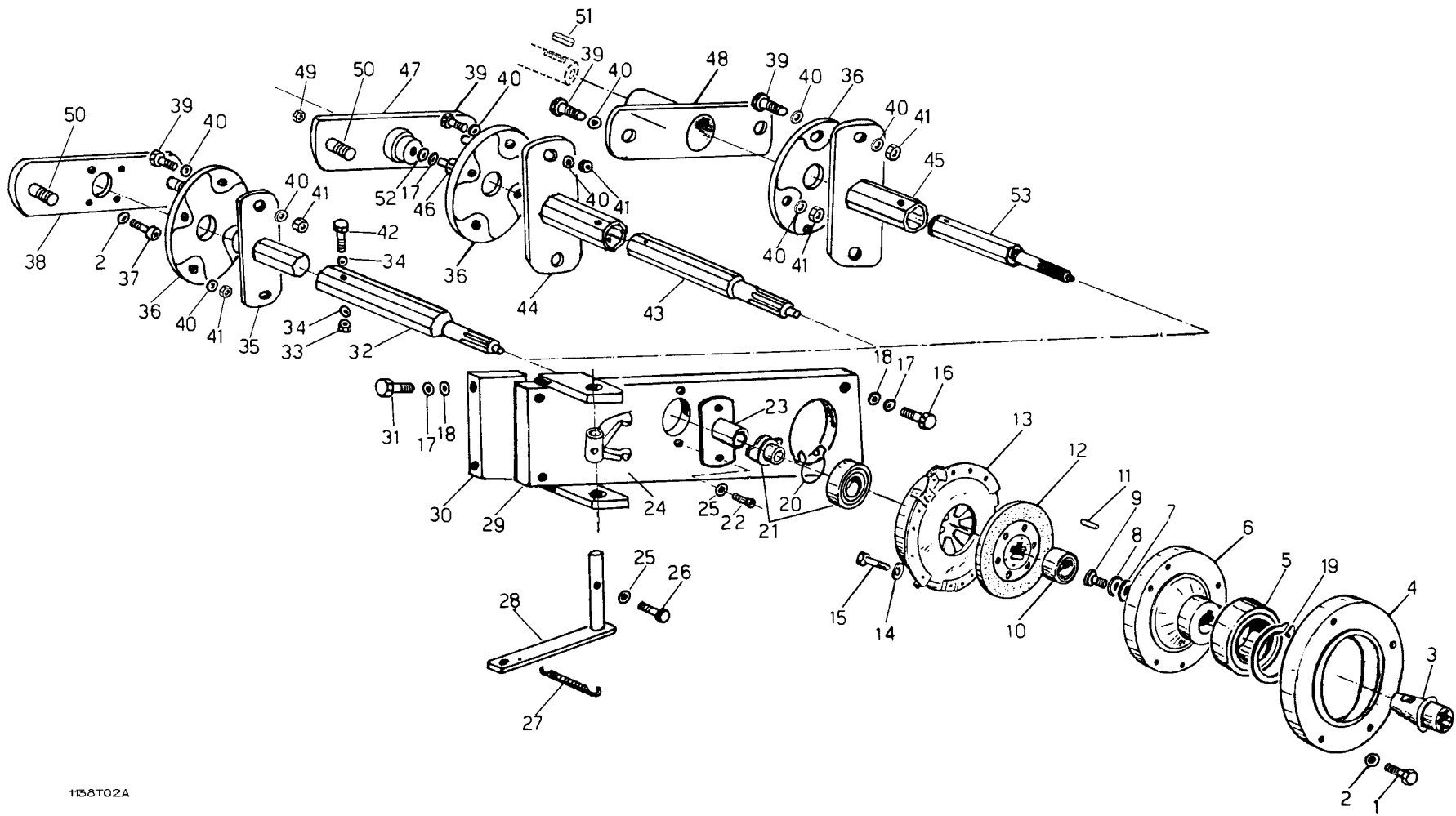
Tab. 8 – CAMBIO (VECCHIO TIPO) - GEARBOX (OLD MOD.)- CHANGEMENT DE VITESSES (VIEUX MOD.) - GETRIEBE

REF.	Q.	COD.	DESCRIZIONE	DESCRIPTION	DESCRIPTION	BENENNUNG
01	01	19922053	ANELLO DI TENUTA	SEAL RING	JOINT D'ETANCHEITE	DICHTRING
02	03	19900311	CUSCINETTO	BEARING	ROULEMENT	LAGER
03	01	19956053	SPESSORE	SHIM	CALE D'EPAISSEUR	DISTANZSCHEIBE
04	01	19901005	CUSCINETTO	BEARING	ROULEMENT	LAGER
05	01	15204011	VITE SENZA FINE	WORM SCREW	VIS SANS FIN	ENDLOSSCHRAUBE
06	01	15204053	SPESSORE	SHIM	CALE D'EPAISSEUR	DISTANZSCHEIBE
07	01	19900811	CUSCINETTO	BEARING	ROULEMENT	LAGER
08	01	19956035	SPESSORE	SHIM	CALE D'EPAISSEUR	DISTANZSCHEIBE
09	01	15204013	CORONA DENTATA	RING GEAR	COURONNE DENTEE	ZAHNKRANZ
10	01	15204012	INGRANAGGIO SCORREV.	SLIDING GEAR	BALADEUR	SCHIEBERÄDERGETRIEBE
11	01	15204010	ALBERO	SHAFT	ARBRE	WELLE
12	01	15207057	MOLLA	SPRING	RESSORT	FEDER
13	01	15205073	DISTANZIALE	SPACER	ENTRETOISE	DISTANZSTÜCK
14	02	15204037	PATTINO	SLIDING SHOE	PATIN	GLEITSTÜCK
15	01	19956005	SPESSORE	SHIM	CALE D'EPAISSEUR	DISTANZSCHEIBE
16	02	19955724	SPINA ELASTICA	ROLL PIN	GOUPILLE ELAST.	STIFT
17	01	15203033	LEVA	LEVER	LEVIER	HEBEL
18	02	19900012	SFERA	BALL	BILLE	KUGEL
19	03	19922031	ANELLO DI TENUTA	SEAL RING	JOINT D'ETANCHEITE	DICHTRING
20	01	15207088	MOLLA	SPRING	RESSORT	FEDER
21	01	19955012	RONDELLA	WASHER	RONDELLE	SCHEIBE
22	01	15205049	VITE	SCREW	VIS	SCHRAUBE
23	01	15205034	INVERTITORE COMPLETO	INVERTER GROUP	GROUPE INVERSEUR	UMKEHRUNGSGRUPPE
24	04	19954208	DADO	NUT	ECROU	MUTTER
25	04	19952146	VITE	SCREW	VIS	SCHRAUBE
26	02	15155049	SPINA	PIN	GOUPILLE	STIFT
27	01	15204032	RONDELLA	WASHER	RONDELLE	SCHEIBE
28	01	15204014	ALBERO	SHAFT	ARBRE	WELLE
29	01	15204016	INGRANAGGIO	GEAR	ENGRENAGE	ZAHNRAD
30	01	15385237	LEVA	LEVER	LEVIER	HEBEL
31	02	19922066	ANELLO DI TENUTA	SEAL RING	JOINT D'ETANCHEITE	DICHTRING
32	01	19955525	ANELLO ELASTICO	LOCKRING	ARRETOIR	SICHERUNGSRING
33	01	19922115	ANELLO DI TENUTA	SEAL RING	JOINT D'ETANCHEITE	DICHTRING
34	01	15204019	MANICOTTO	FITTING	MANCHON	MUFFE
35	01	19955719	SPINA	PIN	GOUPILLE	STIFT
36	01	19952719	VITE	SCREW	VIS	SCHRAUBE
37	01	15203034	LEVA	LEVER	LEVIER	HEBEL
38	01	19900321	CUSCINETTO	BEARING	ROULEMENT	LAGER
39	01	15204017	INGRANAGGIO	GEAR	ENGRENAGE	ZAHNRAD
40	02	19900231	CUSCINETTO	BEARING	ROULEMENT	LAGER
41	01	15224077	SEMIASSE SX	HALF-SHAFT (L.H.)	DEMI-ESSIU G.	ACHSWELLEN L.
42	01	15224036	PATTINO	SLIDING SHOE	PATIN	GLEITSTÜCK

Tab. 8 – CAMBIO (VECCHIO TIPO) - GEARBOX (OLD MOD.) - CHANGEMENT DE VITESSES (VIEUX MOD.) - GETRIEBE

REF.	Q.	COD.	DESCRIZIONE	DESCRIPTION	DESCRIPTION	BENENNUNG
43	01	19955719	SPINA ELASTICA	ROLL PIN	GOUPILLE ELAST	STIFT
44	02	19955512	ANELLO ELASTICO	LOCKRING	ARRETOIR	SICHERUNGSRING
45	01	15223035	LEVA	LEVER	LEVIER	HEBEL
46	01	15227055	MOLLA	SPRING	RESSORT	FEDER
47	01	19922296	TAPPO	PLUG	BOUCHON	STOPFEN
48	02	19922223	ANELLO DI TENUTA	SEAL RING	JOINT D'ETANCHEITE	DICHTRING
49	02	19955655	ANELLO ELASTICO	LOCKRING	ARRETOIR	SICHERUNGSRING
50	01	19955723	SPINA	PIN	GOUPILLE	STIFT
51	01	15224076	SEMIASSE DX	HALF-SHAFT (R.H.)	DEMI-ESSIU D.	ACHSWELLEN R.
52	02	19900326	CUSCINETTO	BEARING	ROULEMENT	LAGER
53	06	19953603	DADO	NUT	ECROU	MUTTER
54	06	19955306	ROSETTA ELASTICA	SPRING WASHER	RONDELLE ELASTIQUE	FEDERSCHEIBE
55	01	15224025	COPERCHIO	COVER	COUVERCLE	DECKEL
56	02	15224023	INGRANAGGIO	GEAR	PIGNON	ZAHNRAD
57	01	15224030	PERNO	PIN	AXE	BOLZEN
58	01	15224022	CORONA DENTATA	RING GEAR	COURONNE DENTEE	ZAHNKRANZ
59	02	15224031	INGRANAGGIO	GEAR	PIGNON	ZAHNRAD
60	01	15224024	COPERCHIO	COVER	COUVERCLE	DECKEL
61	06	19952245	VITE	SCREW	VIS	SCHRAUBE
62	01	15224029	INGRANAGGIO SCORREV.	SLIDING GEAR	BALADEUR	SCHIEBERÄDERGETRIEBE
63	01	15224028	MANICOTTO	FITTING	MANCHON	MUFFE
64	02	15195117	MOZZO	HUB	MOYEU	NABE
65	02	15205100	SUPPORTO	SUPPORT	SUPPORT	HALTERUNG

Tab. 9 – GRUPPO FRIZIONE - CLUTCH - EMBRAYAGE - KUPPLUNGSGRUPPE



1158T02A

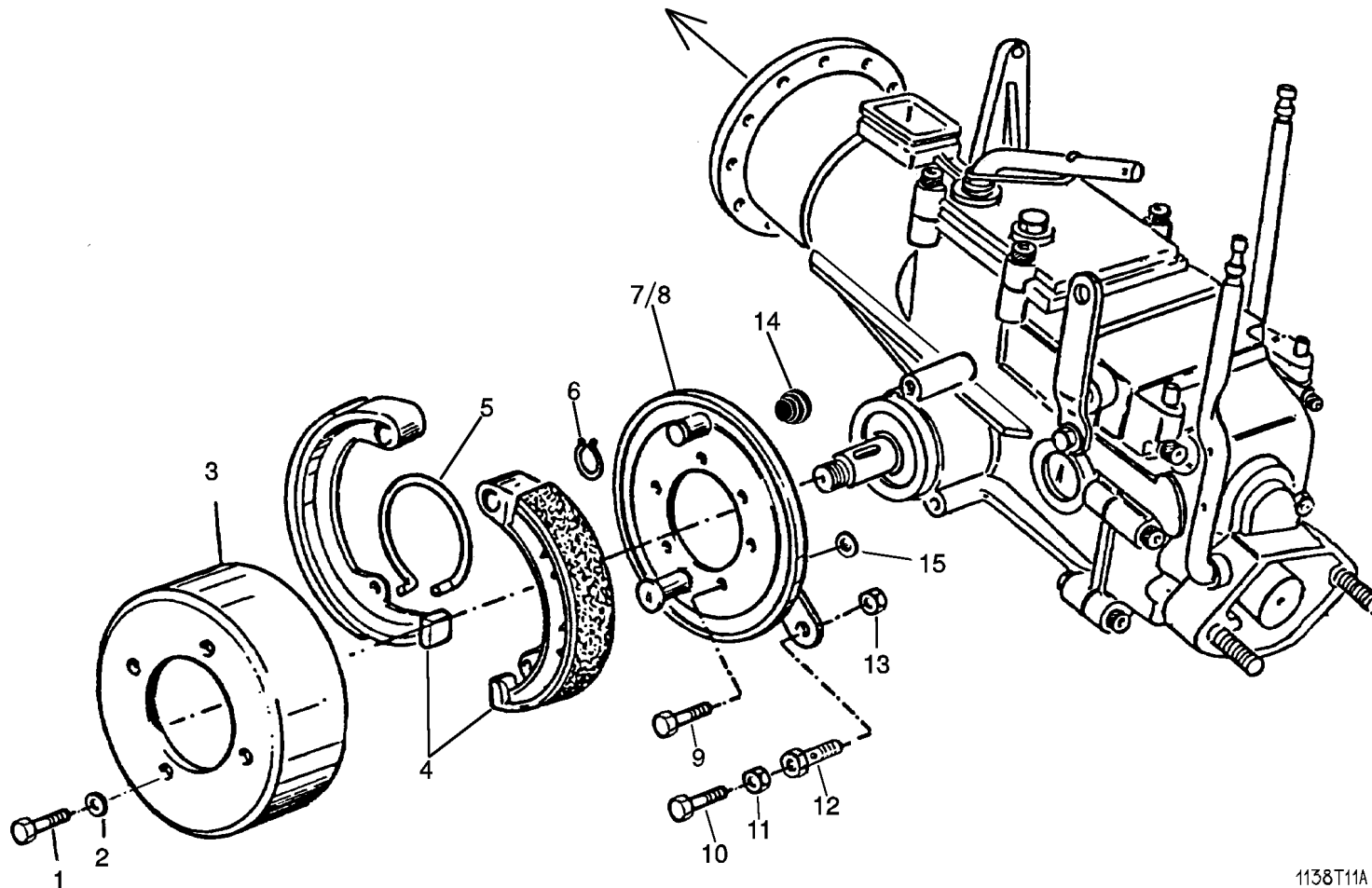
Tab. 9 – GRUPPO FRIZIONE - CLUTCH - EMBRAYAGE - KUPPLUNGSGRUPPE

REF.	Q.	COD.	DESCRIZIONE	DESCRIPTION	DESCRIPTION	BENENNUNG
01	04	19952623	VITE	SCREW	VIS	SCHRAUBE
02	08	19955308	ROSETTA ELASTICA	SPRING WASHER	RONDELLE ELASTIQUE	FEDERSCHEIBE
03	01	15385142	BOCCOLA	BUSH	DOUILLE	BÜCHSE
04	01	15382001	SUPPORTO	SUPPORT	SUPPORT	HALTERUNG
05	01	19900242	CUSCINETTO	BEARING	ROULEMENT	LAGER
06	01	15381169	CAMPANA FRIZIONE	CLUTCH PLATE	CLOCHE D'EMBAYAGE	KUPPLUNGSGLOCKE
07	01	19955011	RONDELLA	WASHER	RONDELLE	SCHEIBE
08	01	19955310	ROSETTA ELASTICA	SPRING WASHER	RONDELLE ELASTIQUE	FEDERSCHEIBE
09	01	15385195	VITE	SCREW	VIS	SCHRAUBE
10	01	19900507	CUSCINETTO	BEARING	ROULEMENT	LAGER
11	03	19955709	SPINA ELASTICA	ROLL PIN	GOUPILLE ELAST	STIFT
12	01	14610329	DISCO FRIZIONE	PLATE	DISQUE	KUPPLUNGSSCHEIBE
13	01	14610331	SPINGIDISCO FRIZIONE	DISC PUSHER	POUSSE-DISQUE	DRUCKKUPPLUNGSSCHEIBE
14	06	19955305	ROSETTA ELASTICA	SPRING WASHER	RONDELLE ELASTIQUE	FEDERSCHEIBE
15	06	19952112	VITE	SCREW	VIS	SCHRAUBE
16	04	19952747	VITE	SCREW	VIS	SCHRAUBE
17	09	19955273	ROSETTA ELASTICA	SPRING WASHER	RONDELLE ELASTIQUE	FEDERSCHEIBE
18	08	19955009	RONDELLA	WASHER	RONDELLE	SCHEIBE
19	01	19955540	ANELLO ELASTICO	LOCKRING	ARRETOIR	SICHERUNGSRING
20	01	14610332	MOLLA	SPRING	RESSORT	FEDER-
21	01	14610328	MANICOTTO CON CUSCIN.	SUPPORT W/BEARING	PALIER	LAGERHALTER
22	02	19952714	VITE	SCREW	VIS	SCHRAUBE
23	01	15385146	SUPPORTO	SUPPORT	SUPPORT	HALTERUNG
24	01	15085045	FORCELLA	FORK	FOURCHE	GABEL
25	03	19955306	ROSETTA ELASTICA	SPRING WASHER	RONDELLE ELASTIQUE	FEDERSCHEIBE
26	01	19952720	VITE	SCREW	VIS	SCHRAUBE
27	01	15001052	MOLLA	SPRING	RESSORT	FEDER
28	01	15385145	LEVA FRIZIONE	LEVER	LEVIER	HEBEL
29	01	15385133	SUPPORTO	SUPPORT	SUPPORT	HALTERUNG
30	02	15385134	BLOCCHETTO	BLOCK	CALE	BLOCK
31	04	19952721	VITE	SCREW	VIS	SCHRAUBE
32	01	15385132	ALBERO (RUGGERINI)	SHAFT(RUGGERINI)	ARBRE(RUGGERINI)	WELLE (RUGGERINI)
33	01	19954206	DADO	NUT	ECROU	MUTTER
34	02	19955051	RONDELLA	WASHER	RONDELLE	SCHEIBE
35	01	15385151	ALBERO (RUGGERINI)	SHAFT (RUGGERINI)	ARBRE (RUGGERINI)	WELLE (RUGGERINI)
36	01	15385215	GIUNTO ELASTICO	JOINT	JOINT	GELENK
37	04	19952114	VITE	SCREW	VIS	SCHRAUBE
38	01	15385141	FLANGIA (RUGGERINI)	FLANGE (RUGGERINI)	FLASQUE (RUGGERINI)	FLANSCH (RUGGERINI)
39	02	19952613	VITE	SCREW	VIS	SCHRAUBE
40	06	19955053	RONDELLA	WASHER	RONDELLE	SCHEIBE
41	04	19954255	DADO	NUT	ECROU	MUTTER
42	01	15385169	VITE	SCREW	VIS	SCHRAUBE

Tab. 9 – GRUPPO FRIZIONE - CLUTCH - EMBRAYAGE - KUPPLUNGSGRUPPE

REF.	Q.	COD.	DESCRIZIONE	DESCRIPTION	DESCRIPTION	BENENNUNG
43	01	15385150	ALBERO (INTERM. LOMBAR.)	SHAFT (INTERM. LOMBAR.)	ARBRE (INTERM. LOMBAR.)	WELLE (INTERM. LOMBAR.)
44	01	15385152	ALBERO (INTERM. LOMBAR.)	SHAFT (INTERM. LOMBAR.)	ARBRE (INTERM. LOMBAR.)	WELLE (INTERM. LOMBAR.)
45	01	15385167	ALBERO (B.&S.)	SHAFT (B.&S.)	ARBRE (B.&S.)	WELLE (B.&S.)
46	01	19952612	VITE	SCREW	VIS	SCHRAUBE
47	01	15385147	FLANGIA (INTERM. LOMBAR.)	FLANGE (INTERM. LOMBAR.)	FLASQUE (INTERM. LOMBAR.)	FLANSCH (INTERM. LOMBAR.)
48	01	15385166	FLANGIA MOTORE (B.&S.)	FLANGE (B.&S.)	FLASQUE (B.&S.)	FLANSCH (B.&S.)
49	02	19954046	DADO	NUT	ECROU	MUTTER
50	02	15004020	PRIGIONIERO	STUD BOLT	GOUJON	STIFTSCHRAUBE
51	01	19956417	CHIAVETTA	KEY	CLAVETTE	HOHLKEIL
52	01	19955052	RONDELLA	WASHER	RONDELLE	SCHEIBE
53	01	15385168	ALBERO (B.&S.)	SHAFT (B.&S.)	ARBRE (B.&S.)	WELLE (B.&S.)

Tab. 10 – FRENI - BRAKES - FREINS - BREMSEN

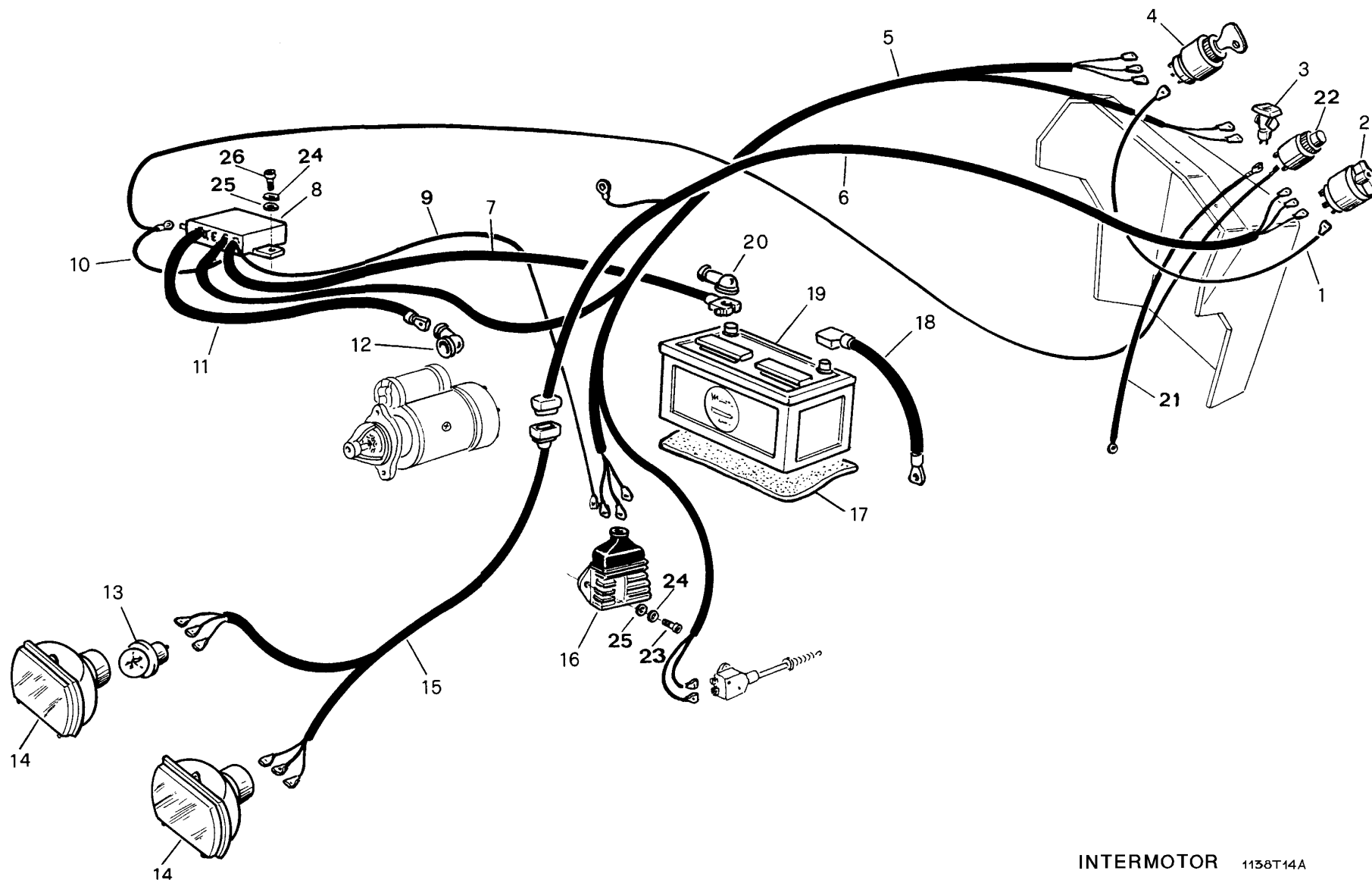


1138T11A

Tab. 10 – FRENI - BRAKES - FREINS - BREMSEN

REF.	Q.	COD.	DESCRIZIONE	DESCRIPTION	DESCRIPTION	BENENNUNG
01	08	19952723	VITE	SCREW	VIS	SCHRAUBE
02	08	19955275	ROSETTA ELASTICA	SPRING WASHER	RONDELLE ELASTIQUE	FEDERSCHEIBE
03	02	14610703	TAMBURO	DRUM	TAMBOUR	BREMS TROMMEL
04	02	14610706	CEPPI (COPPIA)	BRAKE SHOES (COUPLE)	MACHOIRES (COUPLE)	BREMSBACKEN (PAAR)
05	02	14610707	MOLLA	SPRING	RESSORT	FEDER
06	02	19955512	ANELLO ELASTICO	LOCKRING	ARRETOIR	SICHERUNGSRING
07	01	14610705	COPERCHIO SX	COVER, L.H.	COUVERCLE G.	DECKEL L.
08	01	14610704	COPERCHIO DX	COVER, R.H.	COUVERCLE D.	DECKEL R.
09	06	19952721	VITE	SCREW	VIS	SCHRAUBE
10	02	19952113	VITE	SCREW	VIS	SCHRAUBE
11	02	19954043	DADO	NUT	ECROU	MUTTER
12	02	15385083	MORSETTO SERRAFILO	CLAMP	SERRE-CABLE	SEILKLEMME
13	02	19954255	DADO	NUT	ECROU	MUTTER
14	04	19922309	TAPPO	PLUG	BOUCHON	STOPFEN
15	12	19955052	RONDELLA	WASHER	RONDELLE	SCHEIBE
16	02	15755053	MOLLA	SPRING	RESSORT	FEDER

Tab. 11 a – IMPIANTO ELETTRICO INTERMOTOR - ELECTRICAL SYSTEM - INSTALLATION ELECTRIQUE - ELEKTRISCHE ANLAGE

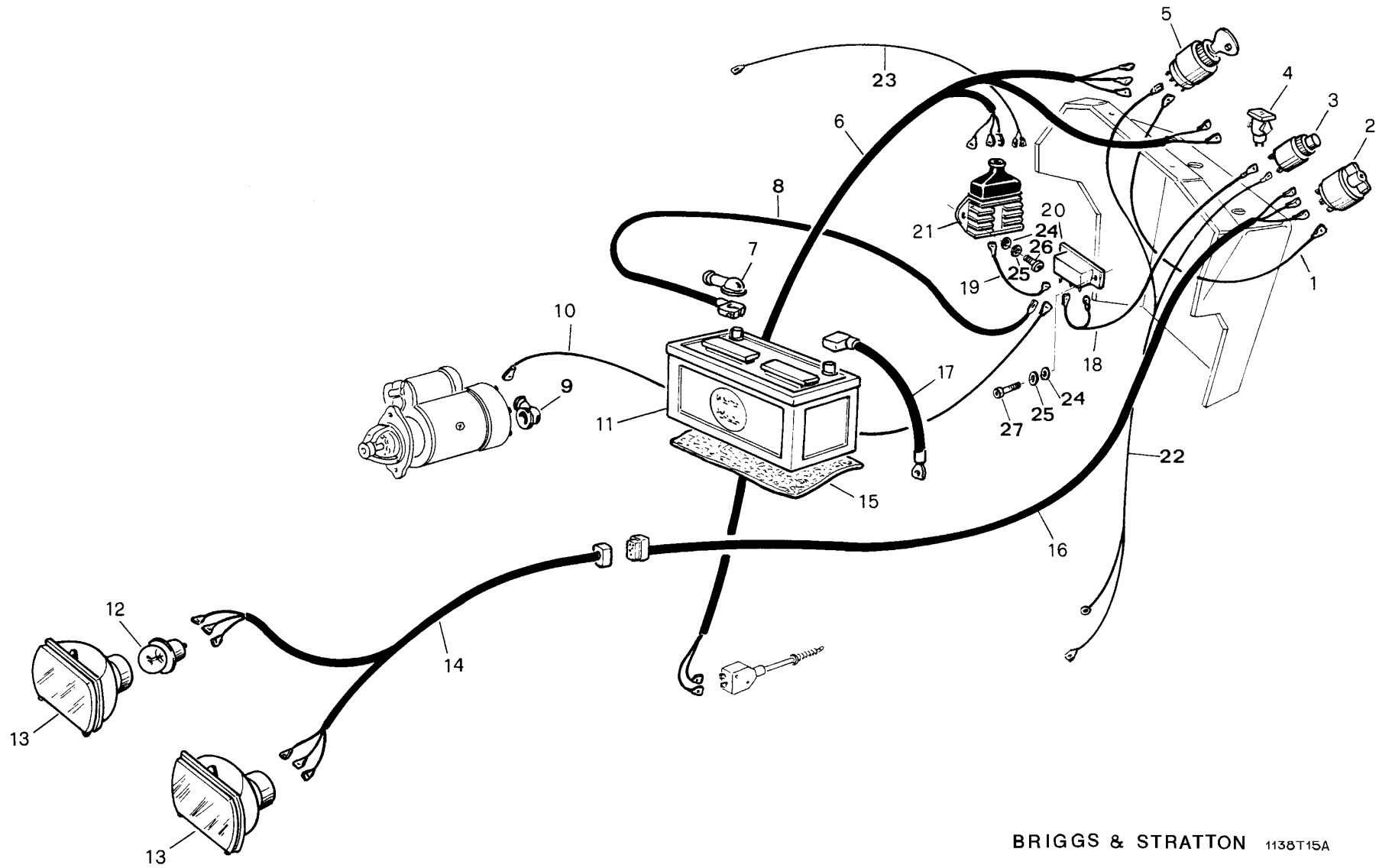


INTERMOTOR 1138T14A

Tab. 11 a – IMPIANTO ELETTRICO INTERMOTOR - ELECTRICAL SYSTEM - INSTALLATION ELECTRIQUE - ELEKTRISCHE ANLAGE

REF.	Q.	COD.	DESCRIZIONE	DESCRIPTION	DESCRIPTION	BENENNUNG
01	01	14670825	CAVO ELETTRICO	ELECTRIC CABLE	CABLE ELECTRIQUE	ELEKTRISCHES KABEL
02	01	14670603	QUADRO COMANDO LUCI	LIGHT SWITCH	COMMUTATEUR FEUX	LICHTSCHALTER
03	01	14670407	SPIA BATTERIA	WARNING LIGHT	TEMOIN	ANZIEGLAMPE
04	01	14670610	BLOCCHETTO AVVIAMENTO	IGNITION KEY	CLE DE CONTACT	ZÜNDSCHLÜSSEL
05	01	14670830	CABLAGGIO	WIRING	CABLAGE	VERKABELUNG
06	01	14670831	CABLAGGIO	WIRING	CABLAGE	VERKABELUNG
07	01	14670832	CAVO POSITIVO	POSITIVE CABLE	CABLE POSITIVE	POSITIVKABEL
08	01	14670650	RELÈ	RELAY	RELAIS	RELAY
09	01	14670837	CAVO RELÈ/ REGOLATORE	CABLE FOR RELAY	CABLE DU RELAIS	RELAISKABEL
10	01	14670834	CAVO RELÈ/MASSA	CABLE FOR RELAY	CABLE DU RELAIS	RELAISKABEL
11	01	14670835	CAVO RELÈ/MOTORINOI	CABLE FOR RELAY	CABLE DU RELAIS	RELAISKABEL
12	01	14670212	CAPPUCCIO GOMMA	RUBBER CAP	CAPUCHON EN CAOUT.	GUMMIKAPPE
13	02	14670401	LAMPADA	BULB	LAMPE	LAMPE
14	02	14670501	FANALE COMPLETO	HEADLAMP	PROJECTEUR	SCHEINWERFER
15	01	14670836	CABLAGGIO	WIRING	CABLAGE	VERKABELUNG
16	01	16011044	REGOLATORE	CURRENT SWITCH	REGULATEUR	STROMREGLER
17	01	14680502	RETTANGOLO IN GOMMA	RUBBER	CAOUTCHOUC	GUMMIMATTE
18	01	14670833	CAVO NEGATIVO	NEGATIVECABLE	CABLE NEGATIVE	NEGATIVKABEL
19	01	14670701	BATTERIA	BATTERY	BATTERIE	BATTERIE
20	01	14670211	CAPPUCCIO GOMMA	RUBBER CAP	CAPUCHON EN CAOUT.	GUMMIKAPPE
21	01	14670838	CAVO INTERRUTTORE STOP	CABLE	CABLE	KABEL
22	01	14670411	INTERRUTTORE STOP	SWITCH	INTERRUPTEUR	SCHALTER
23	02	19952113	VITE	SCREW	VIS	SCHRAUBE
24	04	19955272	RONDELLA	WASHER	RONDELLE	SCHEIBE
25	04	19955007	RONDELLA	WASHER	RONDELLE	SCHEIBE
26	02	19952107	VITE	SCREW	VIS	SCHRAUBE

Tab. 11 b - IMPIANTO ELETTRICO BRIGGS & S. - ELECTRICAL SYSTEM - INSTALLATION ELECTRIQUE - ELEKTRISCHE ANLAGE

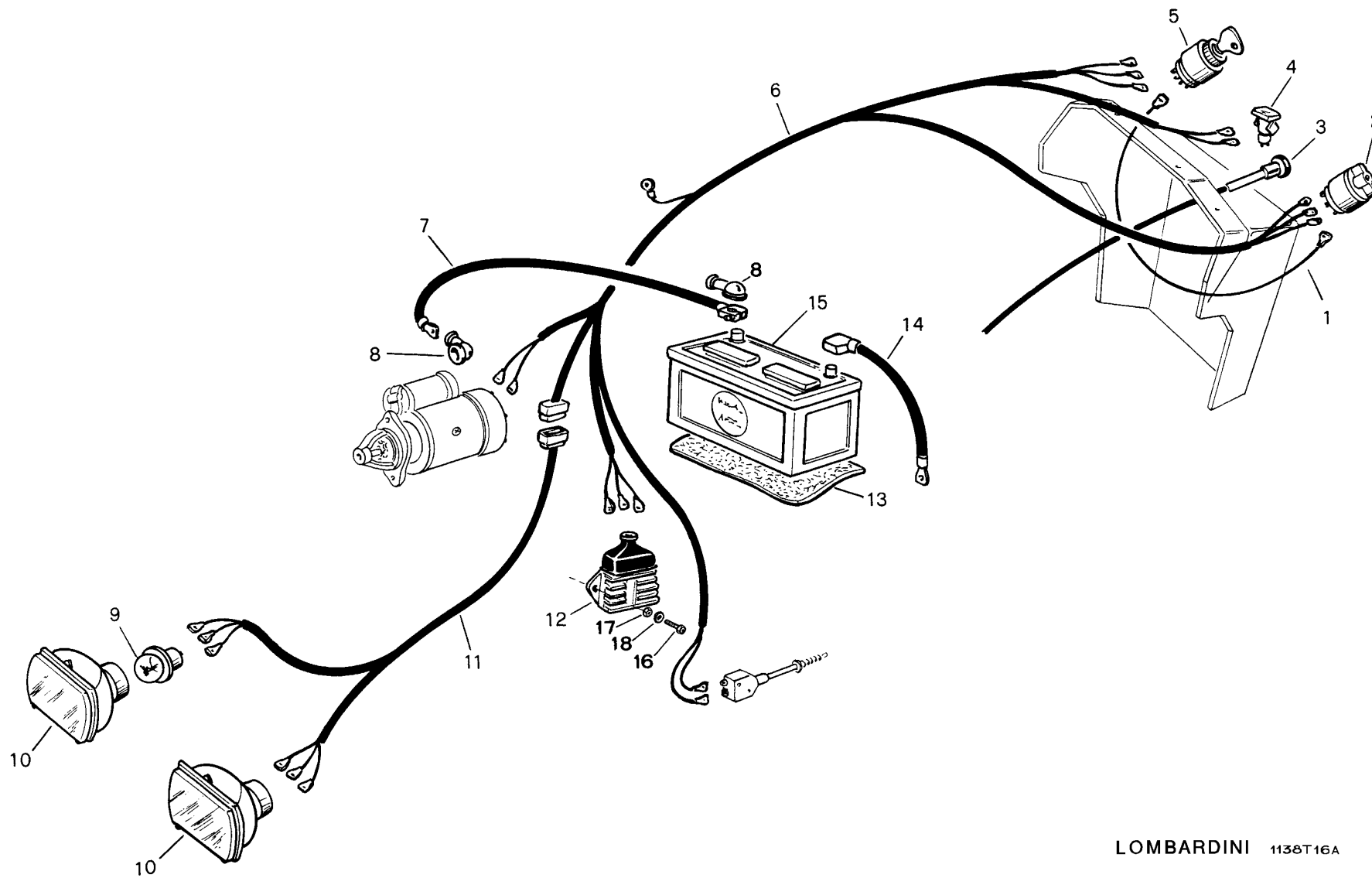


BRIGGS & STRATTON 1138T15A

Tab. 11 b - IMPIANTO ELETTRICO BRIGGS & S. - ELECTRICAL SYSTEM - INSTALLATION ELECTRIQUE - ELEKTRISCHE ANLAGE

REF.	Q.	COD.	DESCRIZIONE	DESCRIPTION	DESCRIPTION	BENENNUNG
01	01	14670825	CAVO ELETTRICO	ELECTRIC CABLE	CABLE ELECTRIQUE	KABEL
02	01	14670603	QUADRO COMANDO LUCI	LIGHT SWITCH	COMMUTATEUR FEUX	LICHTSCHALTER
03	01	14670411	INTERRUTTORE STOP	SWITCH	INTERRUPTEUR	SCHALTER
04	01	14670407	SPIA BATTERIA	WARNING LIGHT	TEMOIN	ANZIEGLAMPE
05	01	14670610	BLOCCHETTO AVVIAMENTO	IGNITION KEY	CLE DE CONTACT	ZÜNDSCHLÜSSEL
06	01	14670830	CABLAGGIO	WIRING	CABLAGE	VERKABELUNG
07	01	14670211	CAPPUCCIO GOMMA	RUBBER CAP	CAPUCHON EN CAOUT.	GUMMIKAPPE
08	01	14670832	CAVO POSITIVO	POSITIVE CABLE	CABLE POSITIVE	POSITIVKABEL
09	01	14670212	CAPPUCCIO GOMMA	RUBBER CAP	CAPUCHON EN CAOUT.	GUMMIKAPPE
10	01	14670835	CAVO RELÈ/MOTORINOI	CABLE FOR RELAY	CABLE DU RELAIS	RELAISKABEL
11	01	14670701	BATTERIA	BATTERY	BATTERIE	BATTERIE
12	02	14670401	LAMPADA	BULB	LAMPE	LAMPE
13	02	14670501	FANALE COMPLETO	HEADLAMP	PROJECTEUR	SCHEINWERFER
14	01	14670836	CABLAGGIO	CABLE	CABLE	KABEL
15	01	14680502	RETTANGOLO IN GOMMA	RUBBER PROTECTION	PROTECTION EN CAOUT.	GUMMIMATTE
16	01	14670831	CABLAGGIO	WIRING	CABLAGE	VERKABELUNG
17	01	14670833	CAVO NEGATIVO	NEGATIVECABLE	CABLE NEGATIVE	NEGATIVKABEL
18	01	14670834	CAVO RELÈ/MASSA	CABLE FOR RELAY	CABLE DU RELAIS	RELAISKABEL
19	01	14670837	CAVO RELÈ/ REGOLATORE	CABLE FOR RELAY	CABLEDU RELAIS	RELAISKABEL
20	01	14670650	RELÈ	RELAY	RELAIS	RELAIS
21	01	16011044	REGOLATORE	CURRENT SWITCH	REGULATEUR	STROMREGLER
22	01	14670839	CAVO INTERRUTTORE STOP	CABLE	CABLE	KABEL
23	01	14670840	CAVO REGOLATORE/ MOTORE	CABLE	CABLE	KABEL
24	04	19955007	RONDELLA	WASHER	RONDELLE	SCHEIBE
25	04	19955155	RONDELLA	WASHER	RONDELLE	SCHEIBE
26	02	19952113	VITE	SCREW	VIS	SCHRAUBE
27	02	19952107	VITE	SCREW	VIS	SCHRAUBE

Tab. 11 c - IMPIANTO ELETTRICO LOMBARDINI - ELECTRICAL SYSTEM - INSTALLATION ELECTRIQUE - ELEKTRISCHE ANLAGE

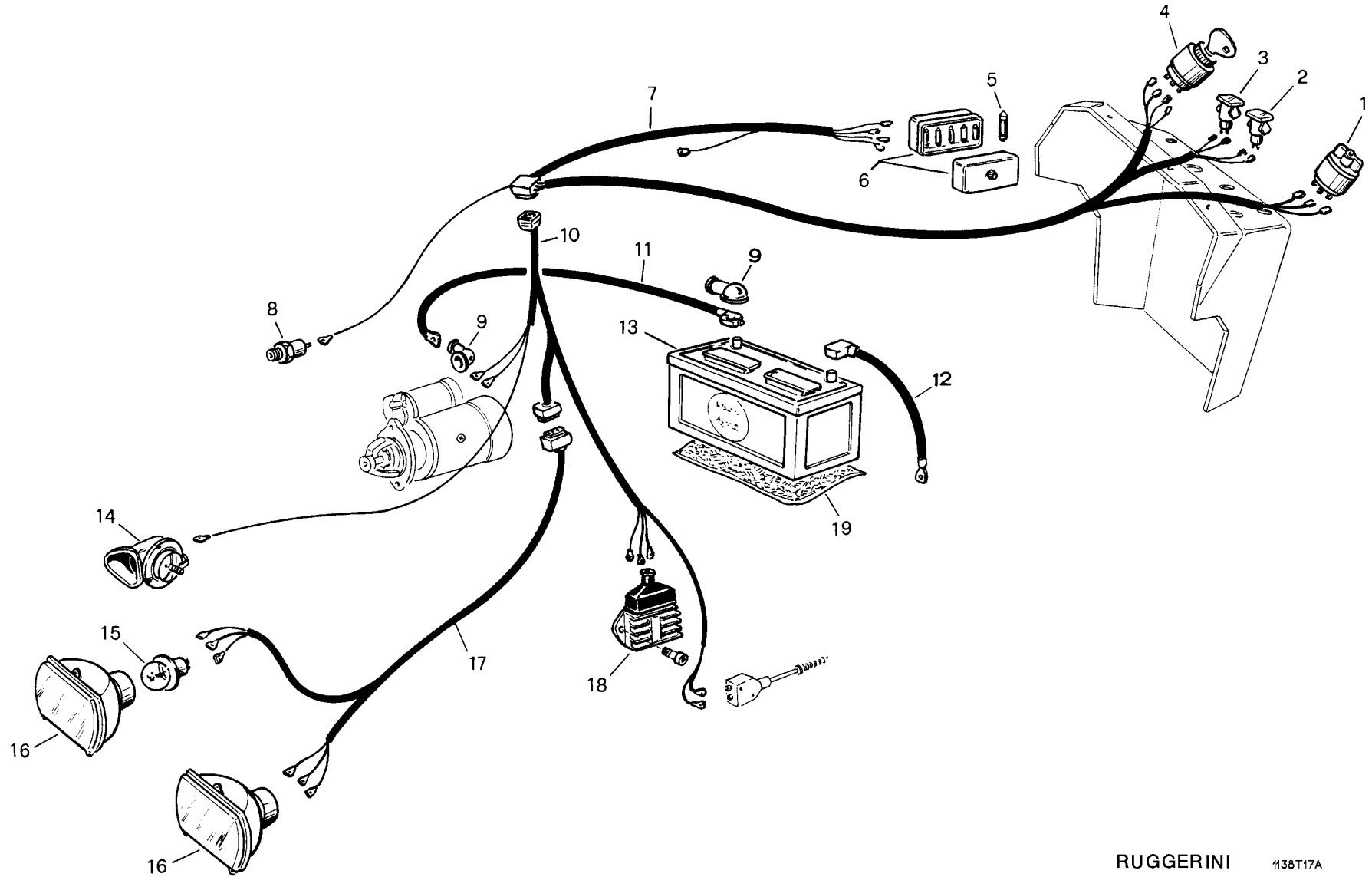


LOMBARDINI 1138T16A

Tab. 11 c - IMPIANTO ELETTRICO LOMBARDINI - ELECTRICAL SYSTEM - INSTALLATION ELECTRIQUE - ELEKTRISCHE ANLAGE

REF.	Q.	COD.	DESCRIZIONE	DESCRIPTION	DESCRIPTION	BENENNUNG
01	01	14670825	CAVO ELETTRICO	ELECTRIC CABLE	CABLE ELECTRIQUE	KABEL
02	01	14670603	QUADRO COMANDO LUCI	LIGHT SWITCH	COMMUTATEUR FEUX	LICHTSCHALTER
03	01	14660185	POMELLO ARRESTO	STOP DEVICE	ARRETOIR	HALT
04	01	14670407	SPIA BATTERIA	WARNING LIGHT	TEMOIN	ANZIEGLAMPE
05	01	14670610	BLOCCHETTO AVVIAMENTO	IGNITION KEY	CLE DE CONTACT	ZÜNDSCHLÜSSEL
06	01	14670826	CABLAGGIO	WIRING	CABLAGE	VERKABELUNG
07	01	14670828	CAVO POSITIVO	POSITIVE CABLE	CABLE POSITIVE	POSITIVKABEL
08	02	14670211	CAPPUCCIO GOMMA	RUBBER CAP	CAPUCHON EN CAOUT.	GUMMIKAPPE
09	02	14670401	LAMPADA	BULB	LAMPE	LAMPE
10	02	14670501	FANALE COMPLETO	HEADLAMP	PROJECTEUR	SCHEINWERFER
11	01	14670827	CABLAGGIO	WIRING	CABLAGE	VERKABELUNG
12	01	16011044	REGOLATORE	CURRENT SWITCH	REGULATEUR	STROMREGLER
13	01	14680502	RETTANGOLO IN GOMMA	RUBBER	CAOUTCHOUC	GUMMIMATTE
14	01	14670829	CAVO NEGATIVO	NEGATIVECABLE	CABLE NEGATIVE	NEGATIVKABEL
15	01	14670701	BATTERIA	BATTERY	BATTERIE	BATTERIE
16	02	19952114	VITE	SCREW	VIS	SCHRAUBE
17	02	19955052	RONDELLA	WASHER	RONDELLE	SCHEIBE
18	02	19955273	RONDELLA	WASHER	RONDELLE	SCHEIBE

Tab. 11 d – IMPIANTO ELETR. RUGGERINI - ELECTRICAL SYSTEM - INSTALLATION ELECTRIQUE - ELEKTRISCHE ANLAGE



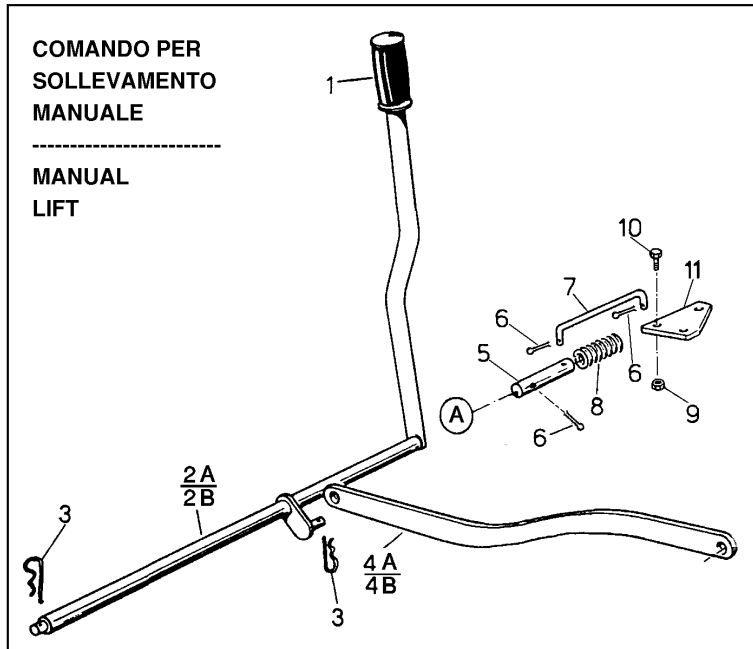
RUGGERINI

1138T17A

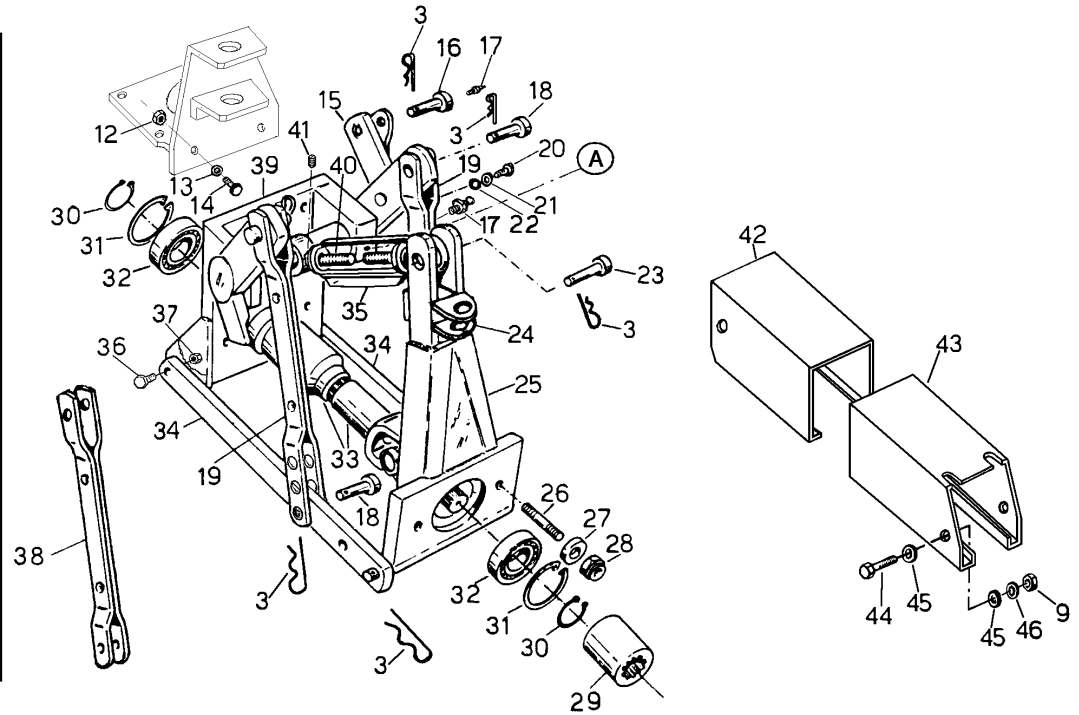
Tab. 11 d – IMPIANTO ELETTR. RUGGERINI - ELECTRICAL SYSTEM - INSTALLATION ELECTRIQUE - ELEKTRISCHE ANLAGE

REF.	Q.	COD.	DESCRIZIONE	DESCRIPTION	DESCRIPTION	BENENNUNG
01	01	14670603	QUADRO COMANDO LUCI	LIGHT SWITCH	COMMUTATEUR FEUX	LICHTSCHALTER
02	01	14670420	SPIA OLIO	WARNING LIGHT	TEMOIN	ANZIEGLAMPE
03	01	14670421	SPIA BATTERIA	WARNING LIGHT	TEMOIN	ANZIEGLAMPE
04	01	14670610	BLOCCHETTO AVVIAMENTO	IGNITION KEY	CLE DE CONTACT	ZÜNDSCHLÜSSEL
05	05	14670406	VALVOLINA FUSIBILE	FUSE	FUSIBLE	SICHERUNS
06	01	14670608	SCATOLA PORTAFUSIBILI	FUSE HOLDER	BOITE A FUSIBLES	SICHERUNGSDOSE
07	01	14670822	CABLAGGIO	WIRING	CABLAGE	VERKABELUNG
08	—	—	NON FORNIBILE	N/A	NON FORNIBLE	NICHT VERFÜGBAR
09	02	14670211	CAPPUCCIO GOMMA	RUBBER CAP	CAPUCHON EN CAOUT.	GUMMIKAPPE
10	01	14670823	CABLAGGIO	WIRING	CABLAGE	VERKABELUNG
11	01	14670821	CAVO POSITIVO	POSITIVE CABLE	CABLE POSITIVE	POSITIVKABEL
12	01	14670820	CAVO NEGATIVO	NEGATIVE CABLE	CABLE NEGATIVE	NEGATIVKABEL
13	01	14670701	BATTERIA	BATTERY	BATTERIE	BATTERIE
14	01	14670611	TROMBA	HORN	CLACSON	HUPE
15	02	14670401	LAMPADA	BULB	LAMPE	LAMPE
16	02	14670501	FANALE COMPLETO	HEADLAMP	PROJECTEUR	SCHEINWERFER
17	01	14670824	CABLAGGIO	WIRING	CABLAGE	VERKABELUNG
18	01	16012051	REGOLATORE	CURRENT SWITCH	REGULATEUR	SCHALTER
19	01	14680502	RETTANGOLO IN GOMMA	RUBBER	CAOUTCHOUC	GUMMIMATTE
20	—	—	NON FORNIBILE	N/A	NON FORNIBLE	NICHT VERFÜGBAR

Tab. 12 – ATTACCO A 3 PUNTI - 3 POINT LINKER - ATTELAGE A 3 POINTS - DREI PUNKTAUFHAENGUNG



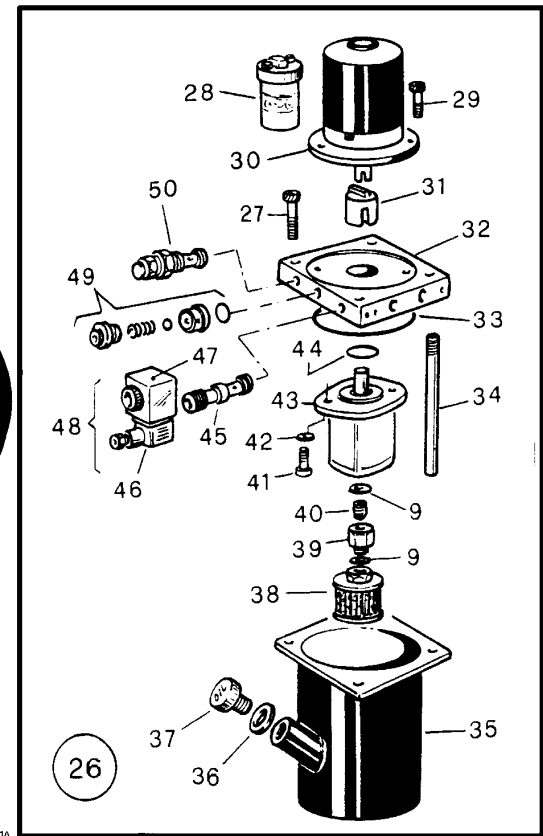
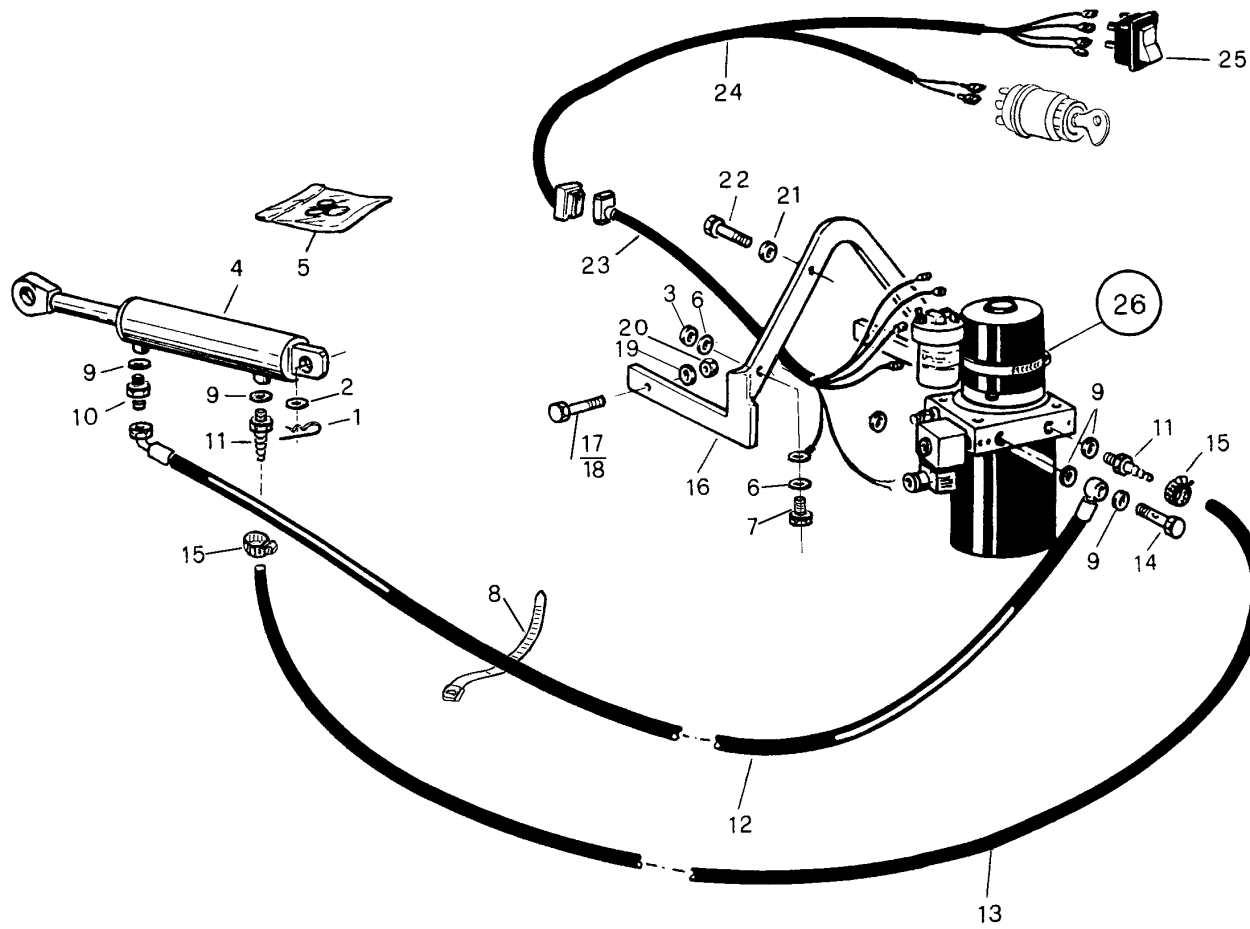
0315T01B



Tab. 12 – ATTACCO A 3 PUNTI - 3 POINT LINKER - ATTELAGE A 3 POINTS - DREI PUNKTAUFHAENGUNG

REF.	Q.	COD.	DESCRIZIONE	DESCRIPTION	DESCRIPTION	BENENNUNG
01	01	14680364	MANOPOLA	GRIP	POIGNEE	GRIFF
02a	01	15385116	LEVA (motori Rug.- Lom. - Int.)	LEVER (Rug.- Lom. - Int. engin.)	LEVIER (moteurs Rug.-Lom.- Int.)	HEBEL (motoren Rug.- Lom.- Int.)
02b	01	15385209	LEVA (motori Briggs & S.)	LEVER (Briggs & S. engine)	LEVIER (moteur Briggs & S.)	HEBEL (motor Briggs & S.)
03	10	15001084	COPIGLIA	COTTER PIN	GOUPILLE FENDUE	SPLINT
04a	01	15385119	ASTA (Rug.- Lom. - Int.)	ROD (Rug.- Lom. - Int.)	TIGE (Rug.- Lom. - Int.)	STANGE (Rug.- Lom. - Int.)
04b	01	15385210	ASTA (B.& S.)	ROD (B.& S.)	TIGE (B.& S.)	STANGE (B.& S.)
05	01	15385102	PERNO	PIN	AXE	BOLZEN
06	03	19957116	COPIGLIA	COTTER PIN	GOUPILLE FENDUE	SPLINT
07	01	15385140	ASTA	ROD	TIGE	STANGE
08	01	15001048	MOLLA	SPRING	RESSORT	FEDER
09	01	19954254	DADO	NUT	ECROU	MUTTER
10	01	19952721	VITE	SCREW	VIS	SCHRAUBE
11	01	15385125	PIASTRA	PLATE	PLAQUE	PLATTE
12	02	19954208	DADO	NUT	ECROU	MUTTER
13	02	19955052	RONDELLA	WASHER	RONDELLE	SCHEIBE
14	02	19952737	VITE	SCREW	VIS	SCHRAUBE
15	01	15385122	ASTA A BILANCIERE	ROD	TIGE	STANGE
16	01	15385216	PERNO	PIN	AXE	BOLZEN
17	02	19956201	INGRASSATORE	GREASE NIPPLE	GRAISSEUR	SCHMIERNIPPEL
18	04	15385110	PERNO	PIN	AXE	BOLZEN
19	02	15385123	BRACCIO PER FRESA	ROD FOR TILLER	TIGEPUR FRAISE	STANGE FÜR FRÄSE
20	01	19952716	VITE	SCREW	VIS	SCHRAUBE
21	01	19955274	ROSETTA ELASTICA	SPRING WASHER	RONDELLE ELAST.	FEDERSCHEIBE
22	01	19955011	RONDELLA	WASHER	RONDELLE	SCHEIBE
23	01	15385101	PERNO	PIN	AXE	BOLZEN
24	01	15385153	ATTACCO TRAINO	TOW HOOK	ATTELAGE	VERBINDUNG
25	01	15385126	SUPPORTO	SUPPORT	SUPPORT	HALTERUNG
26	02	15004030	PRIGIONIERO	STUD	GOUJON	STIFTSCHRAUBE
27	02	15275049	DISTANZIALE	SHIM	CALE D'EPAISSEUR	DISTANZSTÜCK
28	02	19954212	DADO	NUT	ECROU	MUTTER
29	01	15384200	MANICOTTO	FITTING	MANCHON	MUFFE
30	02	19955520	ANELLO ELASTICO	LOCKRING	ARRETOIR	SICHERUNGSRING
31	02	19955647	ANELLO ELASTICO	LOCKRING	ARRETOIR	SICHERUNGSRING
32	02	19900322	CUSCINETTO	BEARING	ROULEMENT	LAGER
33	01	12350416	ALBERO CARDANICO	SHAFT	ARBRE	WELLE
34	02	15385032	ASTA	ROD	TIGE	STANGE
35	01	15385124	TIRANTE	TIE-ROD	TIRANT	SPANNSCHLOSS
36	02	19952759	VITE	SCREW	VIS	SCHRAUBE
37	02	19954257	DADO	NUT	ECROU	MUTTER
38	02	15385158	BRACCIO PER SCOPA RACC.	ROD FOR GRASS SWEEPER	TIGE POUR BALAYEUSE	STANGE FÜR GRASKEHRER
39	01	15385121	SUPPORTO	SUPPORT	SUPPORT	HALTERUNG
40	01	15385265	PRIGIONIERO (da matr. 136529)	STUD (since s/n 136529)	GOUJON (dès matr. 136529)	STIFTSCHRAUBE (bei zu 136529)
41	01	19952501	GRANO (da matr. 136529)	DOWEL (since s/n 136529)	ERGOT (dès matr. 136529)	PASSTIFT (bei zu met. 136529)
42	01	15385270	PROTEZIONE ANTERIORE	GUARD	CAPOT	SCHUTZ
43	01	15385271	PROTEZIONE POSTERIORE	GUARD	CAPOT	SCHUTZ
44	04	19952729	VITE	SCREW	VIS	SCHRAUBE
45	08	19956177	GOMMINO	RUBBER RING	CAOUTCHOU	GUMMIRING
46	04	19955009	RONDELLA	WASHER	RONDELLE	SCHEIBE

Tab. 13 – SOLLEVAMENTO IDRAULICO - HYDRAULIC LIFTER - ELEVATEUR HYDRAULIQUE - HYDRAULISCHE ANLAGE

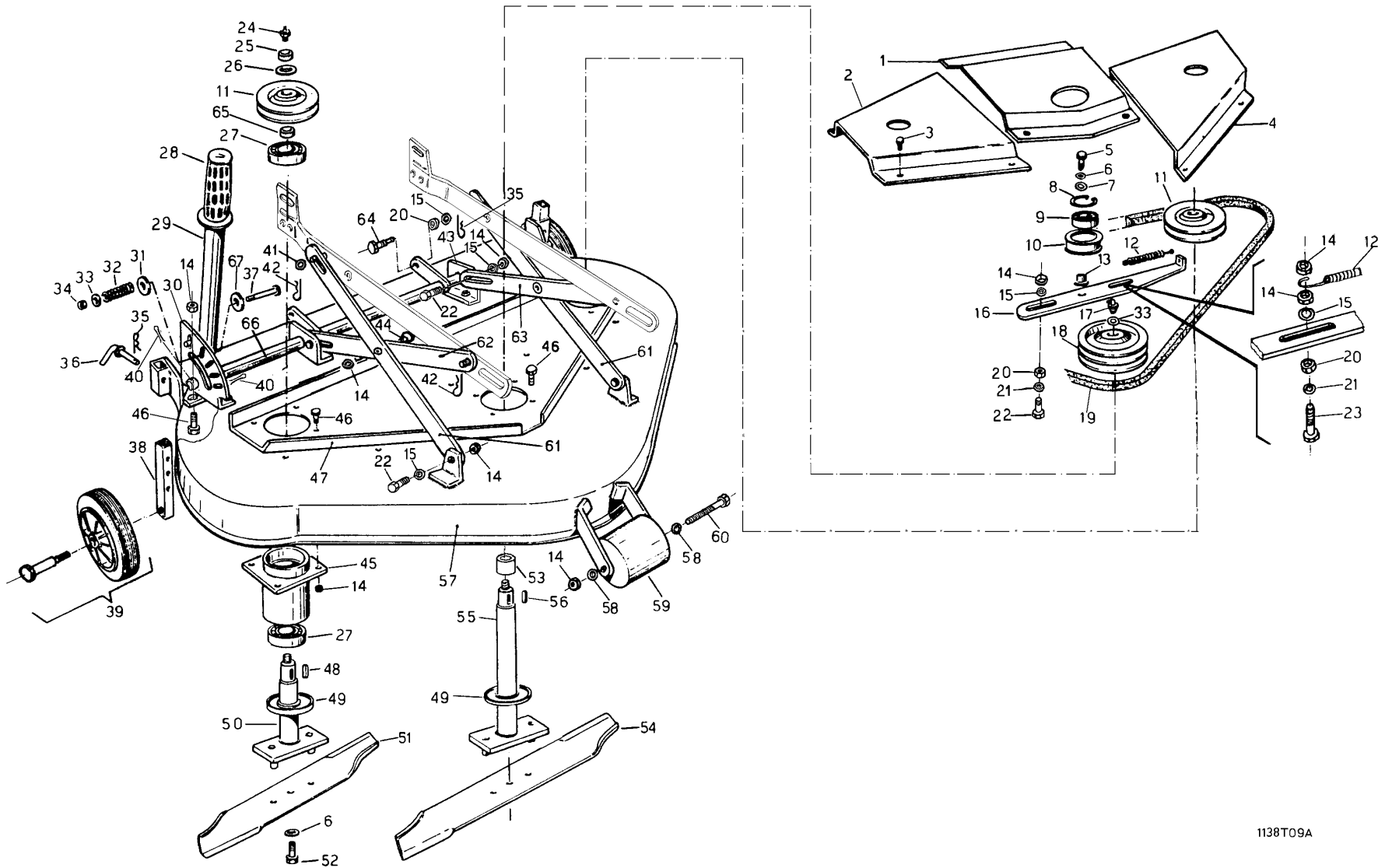


3807T01A

Tab. 13 – SOLLEVAMENTO IDRAULICO - HYDRAULIC LIFTER - ELEVATEUR HYDRAULIQUE - HYDRAULISCHE ANLAGE

REF.	Q.	COD.	DESCRIZIONE	DESCRIPTION	DESCRIPTION	BENENNUNG
01	01	15001084	SPINA A MOLLA	SPRING CLIP	GOUPILLE RAPIDE	SPEESTIFT
02	01	19955012	RONDELLA	WASHER	RONDELLE	SCHEIBE
03	01	19954205	DADO	NUT	ECROU	MUTTER
04	01	12350423	CILINDRO PISTONE	RAM	VERIN	ZYLINDERKOLBEN
05	01	12350427	SERIE GUARNIZIONI	SEAL KIT	POCHETTE DE JOINT	SATZDICHTUNGEN
06	02	19955050	RONDELLA	WASHER	RONDELLE	SCHEIBE
07	01	19952713	VITE	SCREW	VIS	SCHRAUBE
08	09	14680804	FASCETTA	STRAP	COLLIER	HALTERBAND
09	05	19957101	RONDELLA	WASHER	RONDELLE	SCHEIBE
10	01	14661010	RACCORDO	NIPPLE	EMBOUT	NIPPEL
11	02	14661011	RACCORDO	NIPPLE	EMBOUT	NIPPE
12	01	14671012	TUBO	HOSE	TUYAU	ROHR
13	01	15385212	TUBO	HOSE	TUYAU	ROHR
14	01	14671013	VITE	SCREW	VIS	SCHRAUBE
15	02	14680111	FASCETTA	CLAMP	COLLIER	HALTERBAND
16	01	15385160	SUPPORTO	SUPPORT	SUPPORT	HALTERUNG
17	02	19952730	VITE (Rug.-Lomb.-Inter.)	SCREW (Rug.-Lomb.-Inter.)	VIS (Rug.-Lomb.-Inter.)	SCHRAUBE (Rug.-Lomb.-Inter.)
18	02	19952613	VITE (B.&S)	SCREW (B.&S.)	VIS (B.&S.)	SCHRAUBE (B.&S.)
19	02	19955053	RONDELLA	WASHER	RONDELLE	SCHEIBE
20	02	19954255	DADO	NUT	ECROU	MUTTER
21	02	19955274	RONDELLA	WASHER	RONDELLE	SCHEIBE
22	02	19952716	VITE	SCREW	VIS	SCHRAUBE
23	01	14670910	CABLAGGIO	WIRING	CÂBLAGE	VERKABELUNG
24	01	14670911	CABLAGGIO	WIRING	CÂBLAGE	VERKABELUNG
25	01	14670410	INTERRUTTORE	SWITCH	COMMUTEUR	SCHALTER
26	01	12350424	POMPA COMPLETA	PUMP, ASS.Y	POMPE COMPLETE	POMPENGRUPPE
27	04	19952132	VITE	SCREW	VIS	SCHRAUBE
28	01	15385171	TELERUTTORE	CONTACTOR	CONTACTEUR	FERNSCHALTER
29	02	19952113	VITE	SCREW	VIS	SCHRAUBE
30	01	15385170	MOTORE	MOTOR	MOTOR	MOTOR
31	01	15385172	INNESTO	DOG-CLAW	CLABOT	SCHIEBEKUPPLUNG
32	01	15385173	COLLETORE	CHEST	DISTRIBUTEUR	KOLLEKTOR
33	01	19923845	ANELLO OR	O-RING	BAGUE DE CAOUTCHOUC	O RING
34	01	15385176	TUBO	PIPE	TUYAU	ROHR
35	01	15385177	SERBATOIO	TANK	RESERVOIR	TANK
36	01	19923200	ANELLO OR	O-RING	BAGUE DE CAOUTCHOUC	O RING
37	01	15385178	TAPPO	PLUG	BOUCHON	STOPFEN
38	01	15385175	FILTRO DI ASPIRAZIONE	FILTER	FILTRE	SAUGFILTER
39	01	15385234	DISTANZIALE	SHIM	CALE D'EPaisseur	DISTANZSTÜCK
40	01	15385231	PERNO	AXE	AXE	STIFT
41	02	19952127	VITE	SCREW	VIS	SCHRAUBE
42	02	19955272	RONDELLA	WASHER	RONDELLE	SCHEIBE
43	01	15385174	POMPA	PUMP	POMPE	POMPE
44	01	19923220	ANELLO OR	O-RING	BAGUE DE CAOUTCHOUC	O-RING
45	01	15385179	VALVOLA	VALVE	SOUPAPE	VENTIL
46	01	15385233	CONNETTORE	CONNECTOR	CONNTEUR	KONNEKTOR
47	01	15385232	SOLENOIDE	COIL	BOBINE	SPULE
48	01	15385180	ELETTROVALVOLA COMPL.	ELECTROVALVE, ASS.Y	ELECTROSOUPAPE COMPL.	ELEKTROVENTIL KOMPLETT
49	01	15385236	VALVOLA NON RITORNO	NO RETURN VALVE	SOUPAPE NON RETOUR	ABSPERRVENTIL
50	01	15385235	VALVOLA DI SICUREZZA	RELIEF VALVE	SOUPAPE DE SURETE	SICHERHEITVENTIL

Tab. 14 – PIATTO TOSAPRATO - LAWN MOWER - TONDEUR À GAZON - RASENMÄHER



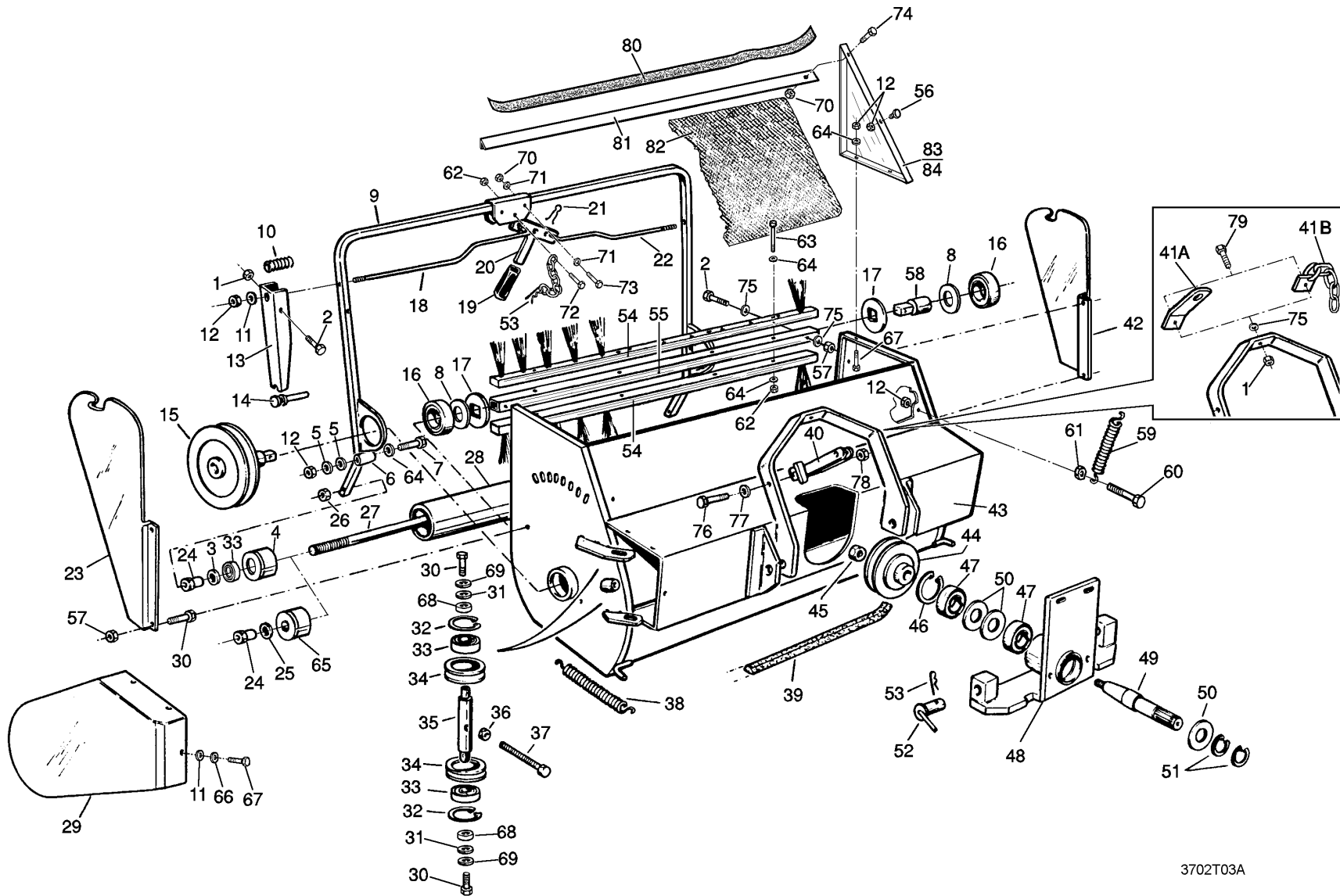
Tab. 14 – PIATTO TOSAPRATO - LAWN MOWER - TONDEUR À GAZON - RASENMÄHER

REF.	Q.	COD.	DESCRIZIONE	DESCRIPTION	DESCRIPTION	BENENNUNG
01	01	15385155	PROTEZIONE CENTRALE	GUARD, CENTRAL	PROTECTION CENTRALE	MITTELSCHUTZ
02	01	15385114	PROTEZIONE DX	GUARD, (R.H.)	PROTECTION DROITE	SCHUTZ (LINKS)
03	12	19951906	VITE	SCREW	VIS	SCHRAUBE
04	01	15385115	PROTEZIONE SX	GUARD, (L.H.)	PROTECTION GAUCHE	SCHUTZ (RECHTS)
05	01	19952730	VITE	SCREW	VIS	SCHRAUBE
06	04	19955410	ROSETTA ELASTICA	SPRING WASHER	RONDELLE ELASTIQUE	FEDERSCHEIBE
07	01	19955053	RONDELLA	WASHER	RONDELLE	SCHEIBE
08	01	19955635	ANELLO ELASTICO	LOCKRING	ARRETOIR	SICHERUNGSRING
09	01	19900312	CUSCINETTO	BEARING	ROULEMENT	LAGER
10	01	15385021	PULEGGIA	PULLEY	POULIE	RIEMENSCHLEIBE
11	02	15385018	PULEGGIA	PULLEY	POULIE	RIEMENSCHLEIBE
12	01	15001048	MOLLA	SPRING	RESSORT	FEDER
13	01	15385129	BOCCOLA	BUSH	DOUILLE	BÜCHSE
14	29	19954254	DADO	NUT	ECROU	MUTTER
15	08	19955009	RONDELLA	WASHER	RONDELLE	SCHEIBE
16	01	15385074	ASTA	ROD	TIGE	STANGE
17	01	19956225	INGRASSATORE	GREASE NIPPLE	GRAISSEUR	SCHMIERNIPPEL
18	01	15385019	PULEGGIA A 2 GOLE	PULLEY 2 RACES	POULIE 2 CANNELURES	RIEMENSCHLEIBE
19	01	14681015	CINGHIA	BELT	COURROIE	RIEMEN
20	04	19954045	DADO	NUT	ECROU	MUTTER
21	02	19955308	ROSETTA ELASTICA	SPRING WASHER	RONDELLE ELASTIQUE	FEDERSCHLEIBE
22	05	19952729	VITE	SCREW	VIS	SCHRAUBE
23	01	19952747	VITE	SCREW	VIS	SCHRAUBE
24	02	19956201	INGRASSATORE	GREASE NIPPLE	GRAISSEUR	SCHMIERNIPPEL
25	03	19954257	DADO	NUT	ECROU	MUTTER
26	02	19955055	RONDELLA	WASHER	RONDELLE	SCHEIBE
27	06	19900322	CUSCINETTO	BEARING	ROULEMENT	LAGER
28	01	14680363	MANOPOLA	GRIP	POIGNEE	GRIF
29	01	15385112	LEVA	LEVER	LEVIER	HEBEL
30	01	15385113	SETTORE DENTATO	PLATE	PLAQUE	ZAHNSECTOR
31	01	19955008	RONDELLA	WASHER	RONDELLE	SCHEIBE
32	01	15001046	MOLLA	SPRING	RESSORT	FEDER
33	02	19955051	RONDELLA	WASHER	RONDELLE	SCHEIBE
34	01	19954206	DADO	NUT	ECROU	MUTTER
35	04	15001081	SPINA A MOLLA	SPRING	RESSORT	FEDER
36	02	15385218	SPINA	PIN	GOUPILLE	STIFT
37	01	19952270	VITE	SCREW	VIS	SCHRAUBE
38	02	15385053	SUPPORTO	SUPPORT	SUPPORT	HALTERUNG
39	02	12320095	RUOTA	WHEEL	ROUE	RAD
40	02	19957116	COPIGLIA	COTTER PIN	GOUPILLE FENDUE	SPLINT
41	02	19955011	RONDELLA	WASHER	RONDELLE	SCHEIBE
42	04	15001084	COPIGLIA	COTTER PIN	GOUPILLE FENDUE	SPLINT
43	01	15385108	SUPPORTO SX	SUPPORT	SUPPORT	HALTERUNG

Tab.14 – PIATTO TOSAPRATO - LAWN MOWER - TONDEUR À GAZON - RASENMÄHER

REF.	Q.	COD.	DESCRIZIONE	DESCRIPTION	DESCRIPTION	BENENNUNG
44	02	19952329	VITE	SCREW	VIS	SCHRAUBE
45	03	15385013	SUPPORTO	SUPPORT	SUPPORT	HALTERUNG
46	19	19952721	VITE	SCREW	VIS	SCHRAUBE
47	01	15385137	LAMIERA SUPERIORE	COVER	COUVERCLE	DECKEL
48	02	19956315	LINGUETTA	SPLINE	CLAVETTE	KEIL
49	03	15385022	COPERCHIO	COVER	COUVERCLE	DECKEL
50	02	15385090	ALBERO LATERALE	SHAFT, LATERAL	ARBRE LATERAL	SEITENWELLE
51	02	15385007	LAMA LATERALE	BLADE, LATERAL	LAME LATERALE	SEITENMESSER
52	03	19952738	VITE	SCREW	VIS	SCHRAUBE
53	03	15385221	DISTANZIALE	SHIM	CALE D'EPAISSEUR	DISTANZSTÜCK
54	01	15385008	LAMA CENTRALE	BLADE	LAME	MESSER
55	01	15385162	ALBERO CENTRALE	SHAFT	ARBRE	WELLE
56	01	19956321	LINGUETTA	SPLINE	CLAVETTE	KEIL
57	01	15385103	CARTER	COVER	COUVERCLE	DECKEL
58	02	19955052	RONDELLA	WASHER	RONDELLE	SCHEIBE
59	01	15385011	RULLO	ROLL	ROULEAU	WALZE
60	01	19952672	VITE	SCREW	VIS	SCHRAUBE
61	02	15385104	ASTA SOLL.PIATTO	ROD	TIGE	STANGE
62	01	15385107	ASTA DX	ROD (R.H.)	TIGE DROITE	STANGE (RECHTS)
63	01	15385106	ASTA SX	ROD (L.H.)	TIGE GAUCHE	STANGE (LINKS)
64	02	15385217	VITE	SCREW	VIS	SCHRAUBE
65	03	15385249	DISTANZIALE	SHIM	CALE D'EPAISSEUR	DISTANZSTÜCK
66	01	15385109	PERNO	PIN	AXE	STIFT
67	01	19955007	RONDELLA	WASHER	RONDELLE	SCHEIBE

Tab. 15a – SCOPA RACCOGLIERBA – GRASS SWEEPER – BALAYEUSE – GRASKEHRER



3702T03A

Tab. 15a – SCOPA RACCOGLIERBA – GRASS SWEEPER – BALAYEUSE – GRASKEHRER

REF.	Q.	COD.	DESCRIZIONE	DESCRIPTION	DESCRIPTION	BENENNUNG
01	03	19954254	DADO	NUT	ECROU	MUTTER
02	04	19952747	VITE	SCREW	VIS	SCHRAUBE
03	02	19956024	SPESSORE	SHIM	CALE D'EPAISSEUR	DISTANZSCHEIBE
04	02	15376045	BOCCOLA (per rullo con cuscinetto)	BUSH (for roll with bearing)	DOUILLE (pour rouleau avec roulement)	BÜCHSE (für walze mit lager)
05	04	19955015	RONDELLA	WASHER	RONDELLE	SCHEIBE
06	02	15375009	DISTANZIALE	SHIM	CALE D'EPAISSEUR	DISTANZSTÜCK
07	02	19952728	VITE	SCREW	VIS	SCHRAUBE
08	02	19956039	SPESSORE	SHIM	CALE D'EPAISSEUR	DISTANZSCHEIBE
09	01	15375029	ASTA	ROD	TIGE	STANGE
10	02	15001004	MOLLA	SPRING	RESSORT	FEDER
11	05	19955007	RONDELLA	WASHER	RONDELLE	SCHEIBE
12	10	19954206	DADO	NUT	ECROU	MUTTER
13	02	15375017	LEVA	LEVER L.H.	LEVIER G.	HEBEL L.
14	02	15375010	PERNO	PIN	AXE	BOLZEN
15	01	15375003	PULEGGIA	PULLEY	POULIE	RIEMENSCHLEIBE
16	02	19900327	CUSCINETTO	BEARING	ROULEMENT	LAGER
17	02	15375042	RONDELLA	WASHER	RONDELLE	SCHEIBE
18	01	15375025	TIRANTE	TIE-ROD	TIRANT	SPANNBOLZEN
19	01	14680362	MANOPOLA	GRIP	POIGNEE	GRIF
20	01	15375027	LEVA	LEVER	LEVIER	HEBEL
21	02	19957116	SPINA A MOLLA	SPRING CLIP	GOUPILLE RAPIDE	VORSTECKER
22	01	15375026	TIRANTE	TIE-ROD	TIRANT	SPANNBOLZEN
23	01	15375032	PANNELLO	PANEL	PANNEAU	TAFEL
24	02	15375015	BOCCOLA	BUSH	DOUILLE	BÜCHSE
25	02	19955416	RONDELLA	WASHER	RONDELLE	SCHEIBE
26	02	19954255	DADO	NUT	ECROU	MUTTER
27	01	15375020	ASSALE	AXLE	ESSIEU	ACHSE
28	01	15375030	RULLO	ROLL	ROULEAU	WALZE
29	01	15375019	COPERTURA	COVER	COUVERCLE	HAUBE
30	06	19952715	VITE	SCREW	VIS	SCHRAUBE
31	02	19955009	RONDELLA	WASHER	RONDELLE	SCHEIBE
32	02	19955635	ANELLO ELASTICO	LOCKRING	ARRETOIR	SICHERUNGSRING
33	04	19900312	CUSCINETTO	BEARING	ROULEMENT	LAGER
34	02	15375001	PULEGGIA	PULLEY	POULIE	RIEMENSCHLEIBE
35	01	15375011	PERNO	PIN	AXE	BOLZEN
36	01	19954045	DADO	NUT	ECROU	MUTTER
37	01	19952785	VITE	SCREW	VIS	SCHRAUBE
38	02	15001049	MOLLA	SPRING	RESSORT	FEDER
39	01	14681012	CINGHIA	BELT	COURROIE	RIEMEN
40	01	15375038	ATTACCO	TOW HOOK	ATTELAGE	VERBINDUNG
41a	01	15375024	ATTACCO (per sollevamento manuale)	TOW HOOK (for manual lift)	ATTELAGE (pour relevage manuel)	VERBINDUNG (für handkraftheber)
41b	01	15375063	ATTACCO (per attacco a 3 punti)	TOW HOOK (for 3 point linker)	ATTELAGE (pour attelage a 3 points)	VERBINDUNG (für drei punktaufhaengung)
42	01	15375033	PANNELLO	PANEL	PANNEAU	TAFEL
43	01	15375018	TELAIO	FRAME	CADRE	GESTELL

Tab. 15a – SCOPA RACCOGLIERBA – GRASS SWEEPER – BALAYEUSE – GRASKEHRER

REF.	Q.	COD.	DESCRIZIONE	DESCRIPTION	DESCRIPTION	BENENNUNG
44	01	15375002	PULEGGIA	PULLEY	POULIE	RIEMENSCHLEIBE
45	01	19954257	DADO	NUT	ECROU	MUTTER
46	01	19955647	ANELLO ELASTICO	LOCKRING	ARRETOIR	SICHERUNGSRING
47	02	19900322	CUSCINETTO	BEARING	ROULEMENT	LAGER
48	01	15375028	CORPO FLANGIATO	FLANGE	BRIDE	FLANSCH
49	01	15375013	ALBERO	SHAFT	ARBRE	WELLE
50	03	19956028	SPESSORE	SHIM	CALE D'EPASSEUR	DISTANZSCHEIBE
51	02	19955520	ANELLO ELASTICO	LOCKRING	ARRETOIR	SICHERUNGSRING
52	02	15375034	PERNO	PIN	AXE	BOLZEN
53	03	15001083	SPINA A MOLLA	SPRING CLIP	GOUPILLE RAPIDE	VORSTECKER
54	02	12350914	SPAZZOLA	BRUSH	BROSSE	BÜRSTE
55	01	15375035	ASSE	AXLE	ESSIEU	ACHSE
56	01	14680601	GOMMINO	RUBBER RING	CAOUTCHOU	GUMMTUELLE
57	06	19954208	DADO	NUT	ECROU	MUTTER
58	01	15375006	PERNO	PIN	AXE	BOLZEN
59	01	15001051	MOLLA (per cesto lt 250)	SPRING (for pannier lt 250)	RESSORT (pour hotte lt 250)	FEDER (für kiepe lt 250)
60	02	19952127	VITE (per cesto lt 250)	SCREW (for pannier lt 250)	VIS (pour hotte lt 250)	SCHRAUBE (für kiepe lt 250)
61	02	19954003	DADO (per cesto lt 250)	NUT (per cesto lt 250)	ECROU (per cesto lt 250)	MUTTER (per cesto lt 250)
62	05	19954253	DADO	NUT	ECROU	MUTTER
63	04	19952270	VITE	SCREW	VIS	SCHRAUBE
64	14	19955051	RONDELLA	WASHER	RONDELLE	SCHEIBE
65	02	15375043	BOCCOLA (per rullo senza cuscinetto)	BUSH (for roll without bearing)	DOUILLE (pour rouleau sans roulement)	BÜCHSE (für walze ohne lager)
66	03	19955306	RONDELLA	WASHER	RONDELLE	SCHEIBE
67	07	19952714	VITE	SCREW	VIS	SCHRAUBE
68	02	15375014	DISTANZIALE	SHIM	CALE D'EPASSEUR	DISTANZSTÜCK
69	02	19955273	RONDELLA	WASHER	RONDELLE	SCHEIBE
70	03	19954205	DADO	NUT	ECROU	MUTTER
71	02	19955050	RONDELLA	WASHER	RONDELLE	SCHEIBE
72	01	19952746	VITE	SCREW	VIS	SCHRAUBE
73	01	19952745	VITE	SCREW	VIS	SCHRAUBE
74	02	19952704	VITE	SCREW	VIS	SCHRAUBE
75	05	19955052	RONDELLA	WASHER	RONDELLE	SCHEIBE
76	01	19952645	VITE	SCREW	VIS	SCHRAUBE
77	01	19955054	RONDELLA	WASHER	RONDELLE	SCHEIBE
78	01	19954212	DADO	NUT	ECROU	MUTTER
79	01	19952737	VITE	SCREW	VIS	SCHRAUBE
80	03	14691005	NASTRO VELCRO (al mt.)	BAND VELCRO (a mt.)	RUBAN VELCRO (à mt.)	BAND VELCRO (nach mt.)
81	01	15375059	ASTA (per cesto lt 300)	ROD (for pannier lt 300)	TIGE (pour hotte lt 300)	STANGE (für kiepe lt 300)
82	01	15376060	RETE (per cesto lt 300)	NET (for pannier lt 300)	FILET (pour hotte lt 300)	NETZ (für kiepe lt 300)
83	01	15375047	PROLUNGA DX (per cesto lt 300)	EXTENSION (R.H.) (for pannier lt 300)	RALLONGE D. (pour hotte lt 300)	VERLÄNGERUNG R. (für kiepe lt 300)
84	01	15375048	PROLUNGA SX (per cesto lt 300)	EXTENSION (L.H.) (for pannier lt 300)	RALLONGE G. (pour hotte lt 300)	VERLÄNGERUNG L. (für kiepe lt 300)

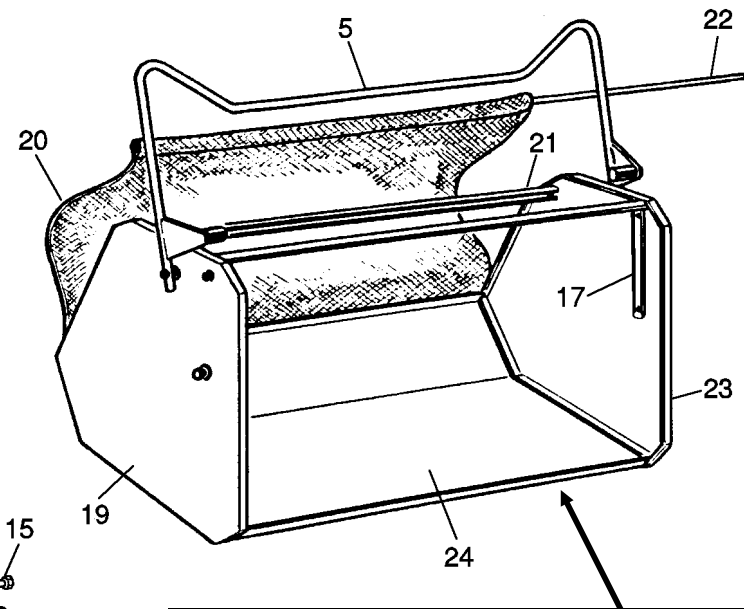
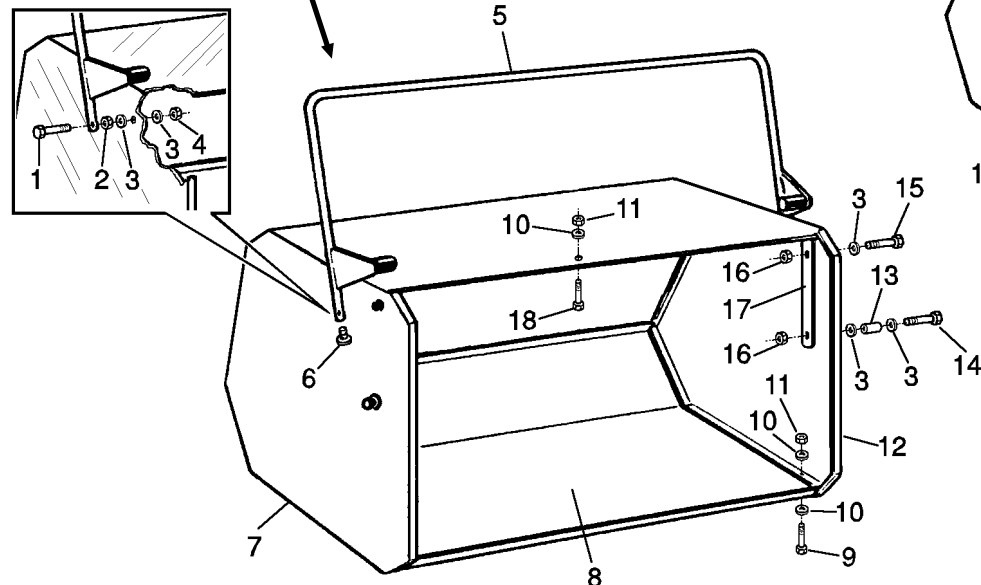
Tab. 15b – CESTO RACCOGLIERBA – PANNIER – HOTTE – KIEPE

CESTO: Capacità litri 300 (nuovo modello)

PANNIER: Carrying capacity liters 300 (new model)

HOTTE: Capacité 300 litres (nouveau modèle)

KIEPE: Tragfähigkeit liter 300 (neues modell)



CESTO: Capacità litri 250 (vecchio modello)

PANNIER: Carrying capacity liters 250 (old model)

HOTTE: Capacité 250 litres (vieux modèle)

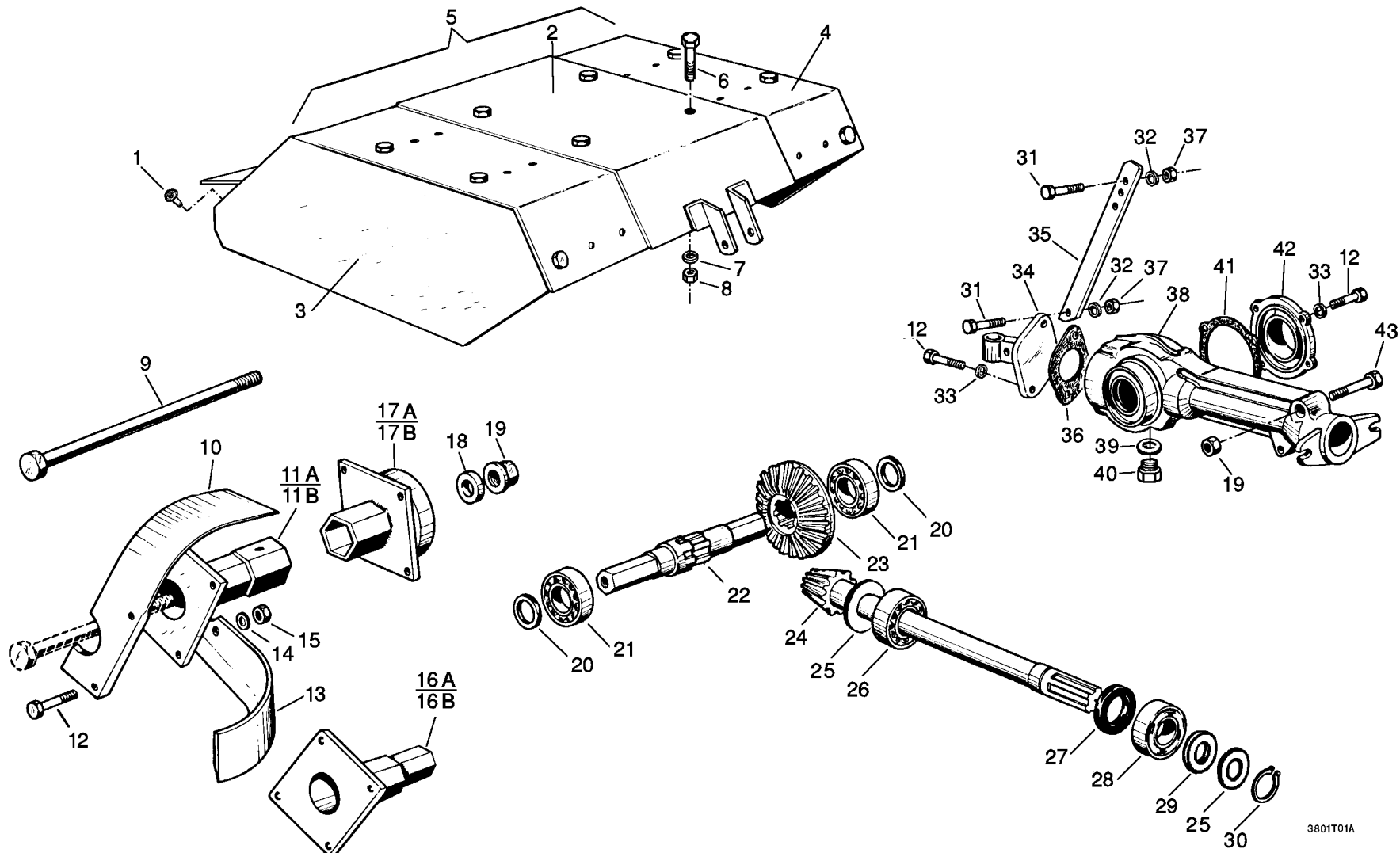
KIEPE: Tragfähigkeit liter 250 (altes modell)

3702T02A

Tab. 15b – CESTO RACCOGLIERBA – PANNIER – HOTTE – KIEPE

REF.	Q.	COD.	DESCRIZIONE	DESCRIPTION	DESCRIPTION	BENENNUNG
01	02	19952756	VITE	SCREW	VIS	SCHRAUBE
02	02	19954045	DADO	NUT	ECROU	MUTTER
03	10	19955010	RONDELLA	WASHER	RONDELLE	SCHEIBE
04	02	19954254	DADO	NUT	ECROU	MUTTER
05	01	15375031	ASTA	ROD	TIGE	STANGE
06	02	14680107	TAPPO	PLUG	BOUCHON	STOPFEN
07	01	15375061	LAMIERA DX	COVER (R.H.)	COUVERCLE D.	DECKEL R.
08	01	15375046	LAMIERA CENTRALE	COVER, CENTRAL	COUVERCLE CENTRALE	MITTEL DECKEL
09	28	19952704	VITE	SCREW	VIS	SCHRAUBE
10	58	19955050	RONDELLA	WASHER	RONDELLE	SCHEIBE
11	30	19954205	DADO	NUT	ECROU	MUTTER
12	01	15375062	LAMIERA SX	COVER (L.H.)	COUVERCLE G.	DECKEL L.
13	02	15375008	DISTANZIALE	SHIM	CALE D'EPaisseur	DISTANZSCHEIBE
14	02	19952737	VITE	SCREW	VIS	SCHRAUBE
15	02	19952721	VITE	SCREW	VIS	SCHRAUBE
16	04	19954254	DADO	NUT	ECROU	MUTTER
17	01	15375036	ASTA	ROD	TIGE	STANGE
18	02	19952713	VITE	SCREW	VIS	SCHRAUBE
19	01	15375021	LAMIERA DX	COVER (R.H.)	COUVERCLE D.	DECKEL R.
20	01	15376041	RETE	NET	FILET	NETZ
21	01	15375037	ASTA	ROD	TIGE	STANGE
22	01	15375041	ASTA	ROD	TIGE	STANGE
23	01	15375022	LAMIERA SX	COVER (L.H.)	COUVERCLE G.	DECKEL L.
24	01	15375023	LAMIERA CENTRALE	COVER, CENTRAL	COUVERCLE CENTRALE	MITTEL DECKEL

Tab. 16 - GRUPPO FRESA - TILLER - FRAISE - FRÄSE

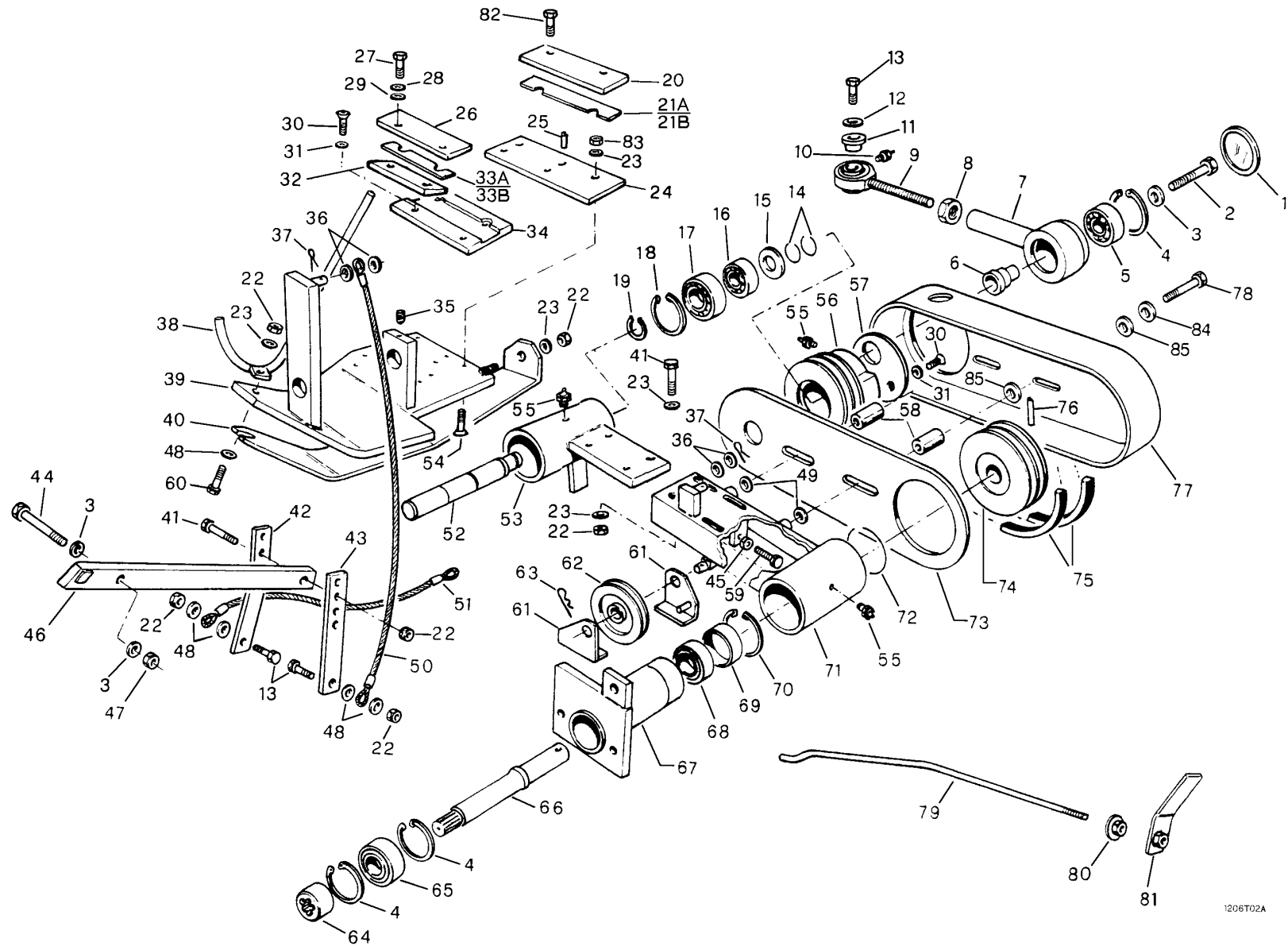


3801T01A

Tab. 16 – GRUPPO FRESA - TILLER - FRAISE - FRÄSE

REF.	Q.	COD.	DESCRIZIONE	DESCRIPTION	DESCRIPTION	BENENNUNG
01	02	14680600	GOMMINO PARACOLPI	BUFFER	BOUTOIR	PUFFER
02	01	15205077	COFANO CENTRALE	HOOD, CENTRAL	COFFRE CENTRAL	ZENTRALHAUBE
03	01	15205078	FIANCO DX	SIDE WALL (R.H.)	PAROI LATERAL D.	SEITENWAND R.
04	01	15205079	FIANCO SX	SIDE WALL (L.H.)	PAROI LATERALG.	SEITENWAND L.
05	01	15385070	COFANO FRESA COMPLETO	HOOD	COFFRE	HAUBE
06	12	19952716	VITE	SCREW	VIS	SCHRAUBE
07	12	19955274	RONDELLA	WASHER	RONDELLE	SCHEIBE
08	12	19954046	DADO	NUT	ECROU	MUTTER
09	01	15195069	TIRANTE FRESA	TIE -ROD	TIRANT	SPANNBOLZEN
10	12	15175133	LAMA FRESA SX	BLADE, L.	LAME G.	MESSER L.
11A	02	15175123	SUPP. CENTRALE S/LAME	SUPPORT	SUPPORT	HALTERUNG
11B	02	15175124	SUPP. CENTRALE C/LAME	SUPPORT W/BLADES	SUPPORT AVEC LAMES	HALTERUNG MIT MESSEREN
12	30	19952721	VITE	SCREW	VIS	SCHRAUBE
13	12	15175120	LAMA FRESA DX	BLADE, R.	LAME D.	MESSER R.
14	24	19955273	RONDELLA	WASHER	RONDELLE	SCHEIBE
15	24	19954045	DADO	NUT	ECROU	MUTTER
16A	02	15175131	SUPPORTO EST. S/LAME	SUPPORT W/ OUT BLADES	SUPPORT SANS LAMES	HALTERUNG OHNE MESSEREN
16B	02	15175132	SUPPORTO EST. C/LAME	SUPPORT W/BLADES	SUPPORT AVEC LAMES	HALTERUNG MIT MESSEREN
17A	02	15175121	SUPP. CON PARAP. S/LAME	SUPPORT W/ OUT BLADES	SUPPORT SANS LAMES	HALTERUNG OHNE MESSEREN
17B	02	15175122	SUPP. CON PARAP. C/LAME	SUPPORT W/BLADES	SUPPORT AVEC LAMES	HALTERUNG MIT MESSEREN
18	01	15175127	RONDELLA	WASHER	RONDELLE	SCHEIBE
19	02	19954256	DADO	NUT	ECROU	MUTTER
20	02	19921038	ANELLO DI TENUTA	SEAL RING	JOINT D'ETANCHEITE	DICHTRING
21	02	19900231	CUSCINETTO	BEARING	ROULEMENT	LAGER
22	01	15174035	ALBERO	SHAFT	ARBRE	WELLE
23	01	15174034	CORONA DENTATA	RING GEAR	COURONNE DENTEE	ZAHNKRANZ
24	01	15174033	ALBERO PIGNONE	SHAFT	ARBRE	WELLE
25	02	19956029	SPESSORE	SHIM	CALE D'EPAISSEUR	DISTANZSCHIEBE
26	01	19901004	CUSCINETTO	BEARING	ROULEMENT	LAGER
27	01	19922119	ANELLO DI TENUTA	SEAL RING	JOINT D'ETANCHEITE	DICHTRING
28	01	19900322	CUSCINETTO	BEARING	ROULEMENT	LAGER
29	01	19956028	SPESSORE	SHIM	CALE D'EPAISSEUR	DISTANZSCHIEBE
30	01	19955520	ANELLO ELASTICO	LOCKRING	ARRETOIR	SICHERUNGSRING
31	02	19952737	VITE	SCREW	VIS	SCHRAUBE
32	02	19955052	RONDELLA	WASHER	RONDELLE	SCHEIBE
33	06	19955408	ROSETTA ELASTICA	SPRING WASHER	RONDELLE ELAST.	FEDERSCHIEBE
34	01	15201006	SUPPORTO	SUPPORT	SUPPORT	HALTERUNG
35	01	15175129	ASTA	ROD	TIGE	STANGE
36	01	15206068	GUARNIZIONE	GASKET	JOINT	DICHTUNG
37	02	19954254	DADO	NUT	ECROU	MUTTER
38	01	15201005	GAMBO FRESA	TIGE	TIGE	SCHAFT
39	01	19956110	GUARNIZIONE	GASKET	JOINT	DICHTUNG
40	01	15005013	TAPPO	PLUG	BOUCHON	STOPFEN
41	01	15056009	GUARNIZIONE	GASKET	JOINT	DICHTUNG
42	01	15201007	COPERCHIO GAMBO	COVER	COUVERCLE	DECKEL
43	01	19952683	VITE	SCREW	VIS	SCHRAUBE

TAB. 17 – AZIONAMENTO BARRA FALCIANTE - BAR MOVEMENT - MOUVEMENT DE LA BARRE - MÄHBALKEN BETRIEB



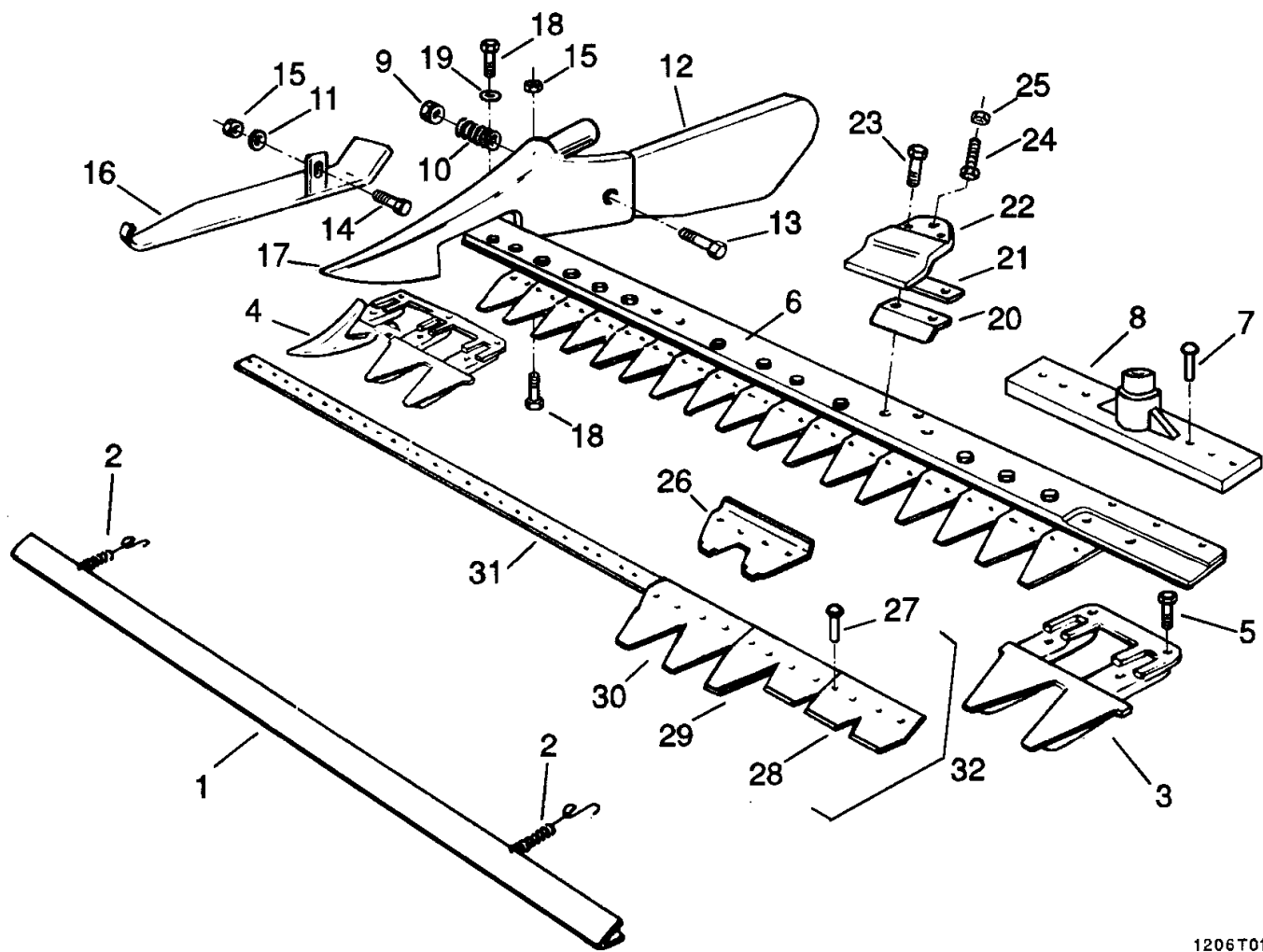
TAB. 17 – AZIONAMENTO BARRA FALCIANTE - BAR MOVEMENT - MOUVEMENT DE LA BARRE - MÄHBALKEN BETRIEB

REF.	Q.	COD.	DESCRIZIONE	DESCRIPTION	DESCRIPTION	BENENNUNG
01	01	19922297	TAPPO	PLUG	BOUCHON	STOPFEN
02	01	19952633	VITE	SCREW	VIS	SCHRAUBE
03	03	19955055	RONDELLA	WASHER	RONDELLE	SCHEIBE
04	03	19955647	ANELLO ELASTICO	LOCKRING	ARRETOIR	SICHERUNGSRING
05	01	19901201	CUSCINETTO	BEARING	ROULEMENT	LAGER
06	01	15375431	SUPPORTO CUSCINETTO	SUPPORT	SUPPORT	HALTERUNG
07	01	15375413	PUNTONE	STRUT	BRAS DE POUSSÉE	TRIEBSTANGE
08	01	19954164	DADO	NUT	ECROU	MUTTER
09	01	19931014	SNODO SFERICO	BALL JOINT	JOINT A ROTULE	GELENK
10	01	19956201	INGRASSATORE	GREASE NIPPLE	GRAISSEUR	SCHMIERNIPPEL
11	01	15375442	DISTANZIALE	SHIM	CALE D'EPAISSEUR	DISTANZSCHEIBE
12	01	19955274	ROSETTA ELASTICA	SPRING WASHER	RONDELLE ELAST.	FEDERSCHEIBE
13	03	19952738	VITE	SCREW	VIS	SCHRAUBE
14	02	19910925	ANELLO ELASTICO	LOCKRING	ARRETOIR	SICHERUNGSRING
15	01	15375430	DISTANZIALE	SHIM	CALE D'EPAISSEUR	DISTANZSCHEIBE
16	01	19910424	CUSCINETTO	BEARING	ROULEMENT	LAGER
17	01	19900332	CUSCINETTO	BEARING	ROULEMENT	LAGER
18	01	19955662	ANELLO ELASTICO	LOCKRING	ARRETOIR	SICHERUNGSRING
19	01	19955530	ANELLO ELASTICO	LOCKRING	ARRETOIR	SICHERUNGSRING
20	01	15375419	PREMILAMA POSTERIORE	BRACKET	SERRE-LAME	PRESSBLATT
21a	01	15375400	SPESSORE (1,5 mm)	SHIM (1,5 mm)	CALE D'EPAISSEUR (1,5 mm)	DISTANZSCHEIBE (1,5 mm)
21b	01	15375418	SPESSORE (3 mm)	SHIM (3 mm)	CALE D'EPAISSEUR (3 mm)	DISTANZSCHEIBE (3 mm)
22	09	19954255	DADO	NUT	ECROU	MUTTER
23	12	19955053	RONDELLA	WASHER	RONDELLE	SCHEIBE
24	01	15375415	SPESSORE ATTACCO BARRA	SHIM	CALE D'EPAISSEUR	DISTANZSCHEIBE
25	01	19955732	SPINA ELASTICA	ROLL PIN	GOUPILLE ELASTIQUE	FEDERSTIFT
26	01	15375420	PREMILAMA ANTERIORE	BRACKET	SERRE-LAME	PRESSBLATT
27	02	19952729	VITE	SCREW	VIS	SCHRAUBE
28	04	19955052	RONDELLA	WASHER	RONDELLE	SCHEIBE
29	04	19955273	ROSETTA ELASTICA	SPRING WASHER	RONDELLE ELAST.	FEDERSCHEIBE
30	06	19952313	VITE	SCREW	VIS	SCHRAUBE
31	06	19955308	ROSETTA ELASTICA	SPRING WASHER	RONDELLE ELAST.	FEDERSCHEIBE
32	01	15375426	SPESSORE	SHIM	CALE D'EPAISSEUR	DISTANZSCHEIBE
33a	02	15375401	SPESSORE (1 mm)	SHIM (1 mm)	CALE D'EPAISSEUR (1 mm)	DISTANZSCHEIBE (1 mm)
33b	02	15375417	SPESSORE (1,5 mm)	SHIM1,5 mm)	CALE D'EPAISSEUR1,5 mm)	DISTANZSCHEIBE1,5 mm)
34	01	15375416	PIASTRINA	PLATE	PLAQUE	PLATTE
35	01	19952523	VITE	SCREW	VIS	SCHRAUBE
36	04	19955017	RONDELLA	WASHER	RONDELLE	SCHEIBE
37	02	19957116	COPIGLIA	COTTER PIN	GOUPILLE FENDUE	SPLINT
38	01	15375437	DEFLETTORE	DEFLECTOR	DEFLECTEUR	ABWEISER
39	01	15375410	SLITONE BARRA LATERALE	SKID	SEMELLE	SCHLITTEN
40	01	15375438	SLITTINA DI REGOLAZIONE	SKID	SEMELLE	SCHLITTEN
41	05	19952618	VITE	SCREW	VIS	SCHRAUBE
42	01	15375443	ASTA PIEGATA	ROD	TIGE	STANGE
43	01	15375444	ASTA DRITTA	ROD	TIGE	STANGE
44	01	19952640	VITE	SCREW	VIS	SCHRAUBE

TAB. 17 – AZIONAMENTO BARRA FALCIANTE - BAR MOVEMENT - MOUVEMENT DE LA BARRE - MÄHBALKEN BETRIEB

REF.	Q.	COD.	DESCRIZIONE	DESCRIPTION	DESCRIPTION	BENENNUNG
45	01	19954045	DADO	NUT	ECROU	MUTTER
46	01	15375440	ASTA	ROD	TIGE	STANGE
47	01	19954257	DADO	NUT	ECROU	MUTTER
48	05	19955011	RONDELLA	WASHER	RONDELLE	SCHEIBE
49	02	19955054	RONDELLA	WASHER	RONDELLE	SCHEIBE
50	01	15375436	CORDA IN ACCIAIO	CABLE	CABLE	KABEL
51	01	15375435	CORDA IN ACCIAIO	CABLE	CABLE	KABEL
52	01	15374401	ALBERO	SHAFT	ARBRE	WELLE
53	01	15375402	SUPPORTO PULEGGIA	SUPPORT	SUPPORT	HALTERUNG
54	02	19952350	VITE	SCREW	VIS	SCHRAUBE
55	03	19956202	INGRASSATORE	GREASE NIPPLE	GRAISSEUR	SCHMIERNIPPEL
56	01	15371400	VOLANO	FLY-WHEEL	VOLANT	SCHWUNGRAD
57	01	15375407	COPERCHIETTO	COVER	COUVERCLE	DECKEL
58	02	15375439	DISTANZIALE	SHIM	CALE D'EPAISSEUR	DISTANZSCHIEBE
59	01	19952765	VITE	SCREW	VIS	SCHRAUBE
60	01	19952609	VITE	SCREW	VIS	SCHRAUBE
61	02	15375423	GUIDA CINGHIA	BELT DRIVE	GUIDE-COURROIE	RIEMENFÜHRUNG
62	01	15375422	PULEGGIA	PULLEY	POULIE	RIEMENSCHIEBE
63	01	15001085	COPIGLIA	COTTER PIN	GOUPILLE FENDUE	SPLINT
64	01	15384200	BOCCOLA SCANALATA	BUSH	DOUILLE	BÜCHSE
65	01	19900322	CUSCINETTO	BEARING	ROULEMENT	LAGER
66	01	15374404	ALBERO	SHAFT	ARBRE	WELLE
67	01	15375405	SUPPORTO ALBERO	SUPPORT	SUPPORT	HALTERUNG
68	01	19900327	CUSCINETTO	BEARING	ROULEMENT	LAGER
69	01	15375445	DISTANZIALE (vecchio mod.)	SHIM (old model)	CALE D'EPAISSEUR (vieux mod.)	DISTANZSCHIEBE (altes modell)
70	01	19955655	ANELLO ELASTICO	LOCKRING	ARRETOIR	SICHERUNGSRING
71	01	15375403	SUPPORTO CENTRALE	SUPPORT	SUPPORT	HALTERUNG
72	01	19910860	ANELLO RADIALE	LOCKRING	ARRETOIR	SICHERUNGSRING
73	01	15375409	COPERCHIO	COVER	COUVERCLE	DECKEL
74	01	15371406	PULEGGIA	PULLEY	POULIE	RIEMENSCHIEBE
75	02	14681010	CINGHIA TRAPEZOIDALE	BELT	COURROIE	RIEMEN
76	01	19955860	SPINA ELASTICA	ROLL PIN	GOUPILLE ELASTIQUE	FEDERSTIFT
77	01	15375408	COPERCHIO	COVER	COUVERCLE	DECKEL
78	02	19952661	VITE	SCREW	VIS	SCHRAUBE
79	01	15375441	TIRANTE	STAY-ROD	TIRAN	SPANNBOLZEN
80	01	15375446	DADO	NUT	ECROU	MUTTER
81	01	15375447	PIASTRINA	PLATE	PLAQUE	PLATTE
82	02	19952721	VITE	SCREW	VIS	SCHRAUBE
83	02	19954210	DADO	NUT	ECROU	MUTTER
84	02	19955275	ROSETTA ELASTICA	SPRING WASHER	RONDELLE ELAST.	FEDERSCHIEBE
85	04	19955013	RONDELLA	WASHER	RONDELLE	SCHEIBE

Tab. 18 – BARRA FALCIANTE LATERALE - MOWING BAR, LATERAL - BARRE DE COUPE LATÉRALE - SEITENMÄHBALKEN

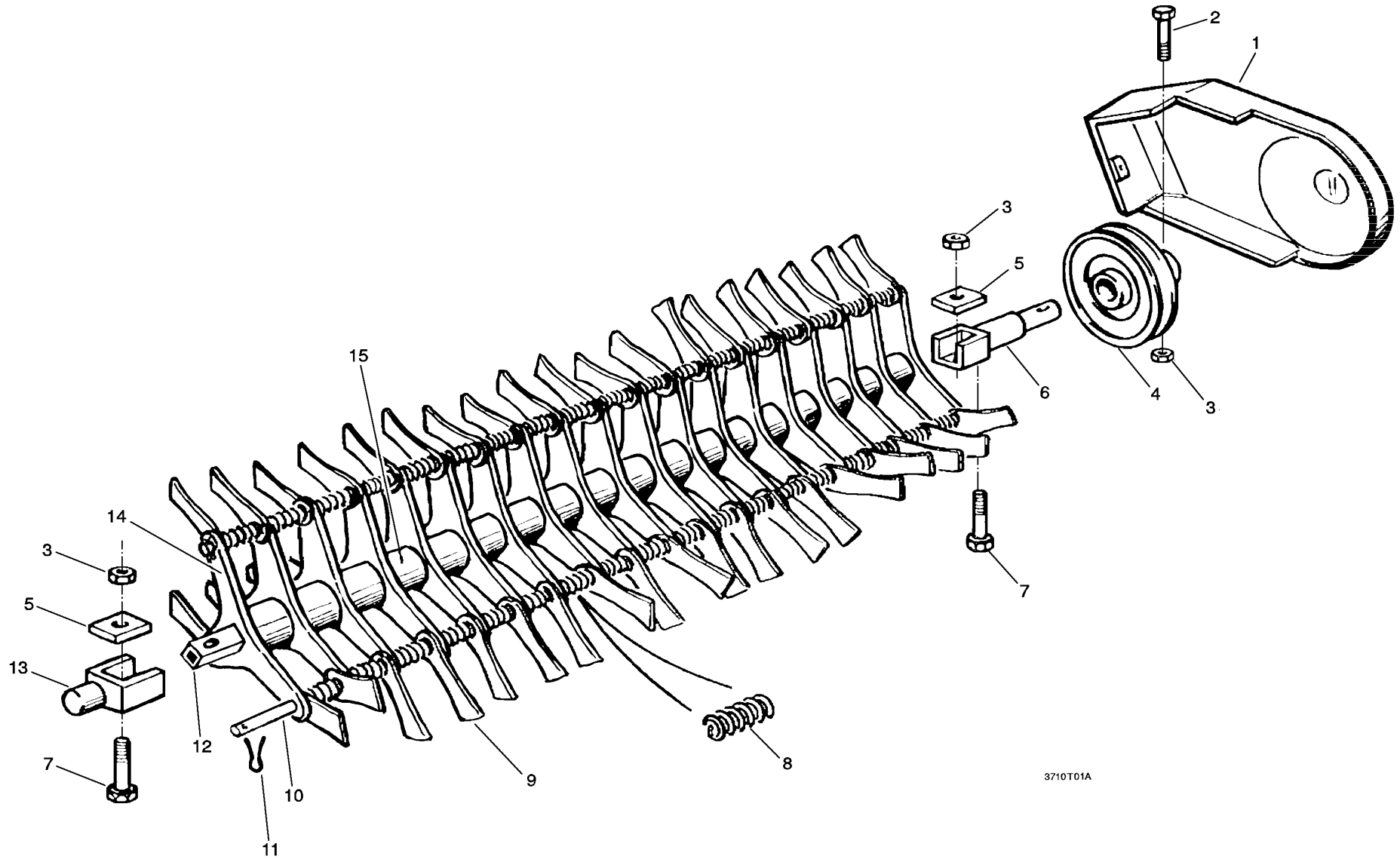


1206T01A

Tab. 18 – BARRA FALCIANTE LATERALE - MOWING BAR, LATERAL - BARRE DE COUPE LATERAL - SEITENMÄHBALKEN

REF.	Q.	COD.	DESCRIZIONE	DESCRIPTION	DESCRIPTION	BENENNUNG
01	01	14690723	PROTEZIONE	GUARD	CAPOT	SCHUTZ
02	02	14690157	MOLLA	SPRING	RESSORT	SPRINGFEDER
03	09	14690104	DENTE DOPPIO	DOUBLE TOOTH	DENT DOUBLE	DOPPELZAHN
04	01	14690107	DENTE TRIPLO	THREE-TIP TOOTH	DENTÀ TROIS POINTES	DREIFACHERZAHN
05	12	19952730	VITE	SCREW	VIS	SCHRAUBE
06	01	14690325	ASTA	ROD	TIGE	STANGE
07	08	14690503	RIBATTINO	RIVET	RIVET	NIET
08	01	15375414	GUIDALAMA	BLADE DRIVE	GUIDE-LAME	MESSERFÜHRUNG
09	01	19954210	DADO	NUT	ECROU	MUTTER
10	01	14690155	MOLLA	BRACKET	SERRE-LAME	PRESSBLATT
11	01	19955053	RONDELLA	PLAIN WASHER	RONDELLE	SCHEIBE
12	01	14690925	DEFLETTORE	DEFLECTOR	DEFLECTEUR	ABWEISER
13	01	19951832	VITE	SCREW	VIS	SCHRAUBE
14	01	19951830	VITE	SCREW	VIS	SCHRAUBE
15	02	19954046	DADO	NUT	ECROU	MUTTER
16	01	15175052	SUOLA DX	SOLE, R.	SEMELLE D.	SOHLE R.
17	01	14690920	SCARPA DX	TIP	BOUT	AUFLAGERSCHUM
18	02	19952738	VITE	SCREW	VIS	SCHRAUBE
19	01	19955012	RONDELLA	PLAIN WASHER	RONDELLE	SCHEIBE
20	04	14690214	GUIDALAMA	BLADE DRIVE	GUIDE-LAME	MESSERFÜHRUNG
21	04	14690216	PIASTRINA	PLATE	PLAQUE	PLATTE
22	04	14690306	PREMILAMA	BRACKET	SERRE-LAME	PRESSBLATT
23	08	19952748	VITE	SCREW	VIS	SCHRAUBE
24	04	19952716	VITE	SCREW	VIS	SCHRAUBE
25	04	19954077	DADO	NUT	ECROU	MUTTER
26	04	14690212	PIASTRINA DI CONSUMO	WEARING PLATE	PLAQUE DE CONSOMMATION	ABNUTZUNGSPLATTE
27	38	14690502	RIBATTINO	RIVET	RIVET	NIET
28	01	14690219	GUIDALAMA	BLADE DRIVE	GUIDE-LAME	MESSERFÜHRUNG
29	01	14690218	SEZIONE DOPPIA	DOUBLE EDGE	DOUBLE SECTION	DOPPELSCHNITT
30	10	14690217	SEZIONE DOPPIA	DOUBLE EDGE	DOUBLE SECTION	DOPPELSCHNITT
31	01	14690606	ASTA	ROD	TIGE	STANGE
32	01	12310929	LAMA COMPLETA	BLADE, ASS.Y	LAME COMPLETE	KLINGE KOMPLETT

Tab. 19 – AERATORE PER PRATO - LAWN AERATOR - AERATEUR POUR TERRAIN - GRUNDBELÜFTUNGSAPPARAT



3710T01A

Tab. 19 – AERATORE PER PRATO - LAWN AERATOR - AERATEUR POUR TERRAIN - GRUNDBELÜFTUNGSAPPARAT

REF.	Q.	COD.	DESCRIZIONE	DESCRIPTION	DESCRIPTION	BENENNUNG
01	01	15375019	CARTER	CASE	CARTER	GEHÄUSE
02	01	19952146	VITE	SCREW	VIS	SCHRAUBE
03	03	19954208	DADO	NUT	ECROU	MUTTER
04	01	15375056	PULEGGIA MOTRICE	PULLEY	POULIE	RIEMENSCHLEIBE
05	02	15375058	DISTANZIALE	SPACER	ENTRETOISE	DISTANZSTÜCK
06	01	15375054	PERNO	PIN	AXE	STIFT
07	02	19952617	VITE	SCREW	VIS	SCHRAUBE
08	54	15001021	MOLLA	SPRING	RESSORT	SPRINGFEDER
09	57	15375051	LAMA	BLADE	LAME	KLINGE
10	03	15375057	PERNO	PIN	AXE	STIFT
11	06	19957116	COPIGLIA	COTTER PIN	GOUPILLE FENDUE	SPLINT
12	01	15375053	ASSE	AXLE	ESSIEU	ACHSE
13	01	15375055	PERNO	PIN	AXE	STIFT
14	19	15375050	FLANGIA	FLANGE	BRIDE	FLANSCH
15	18	15375052	DISTANZIALE	SPACER	ENTRETOISE	DISTANZSTÜCK