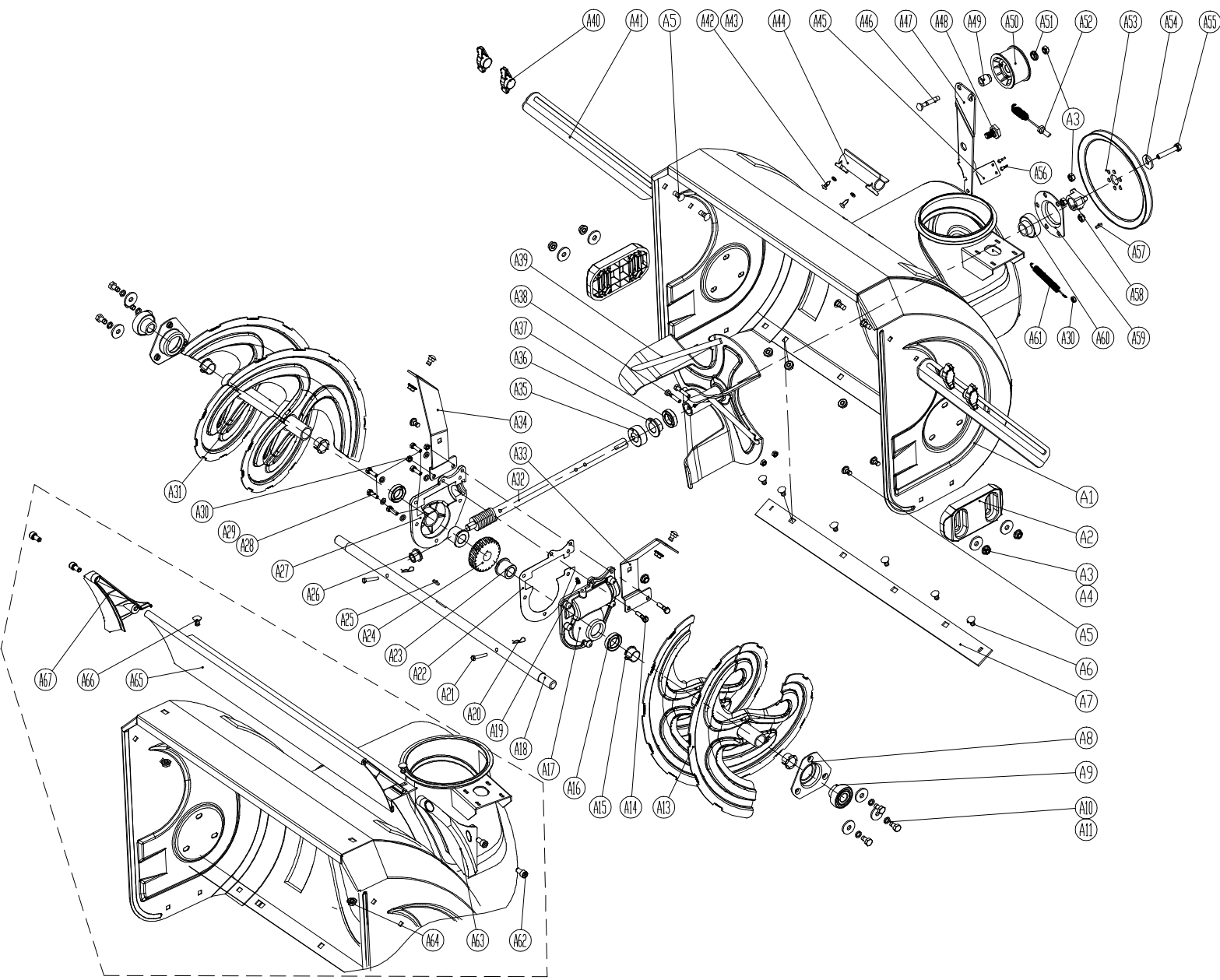
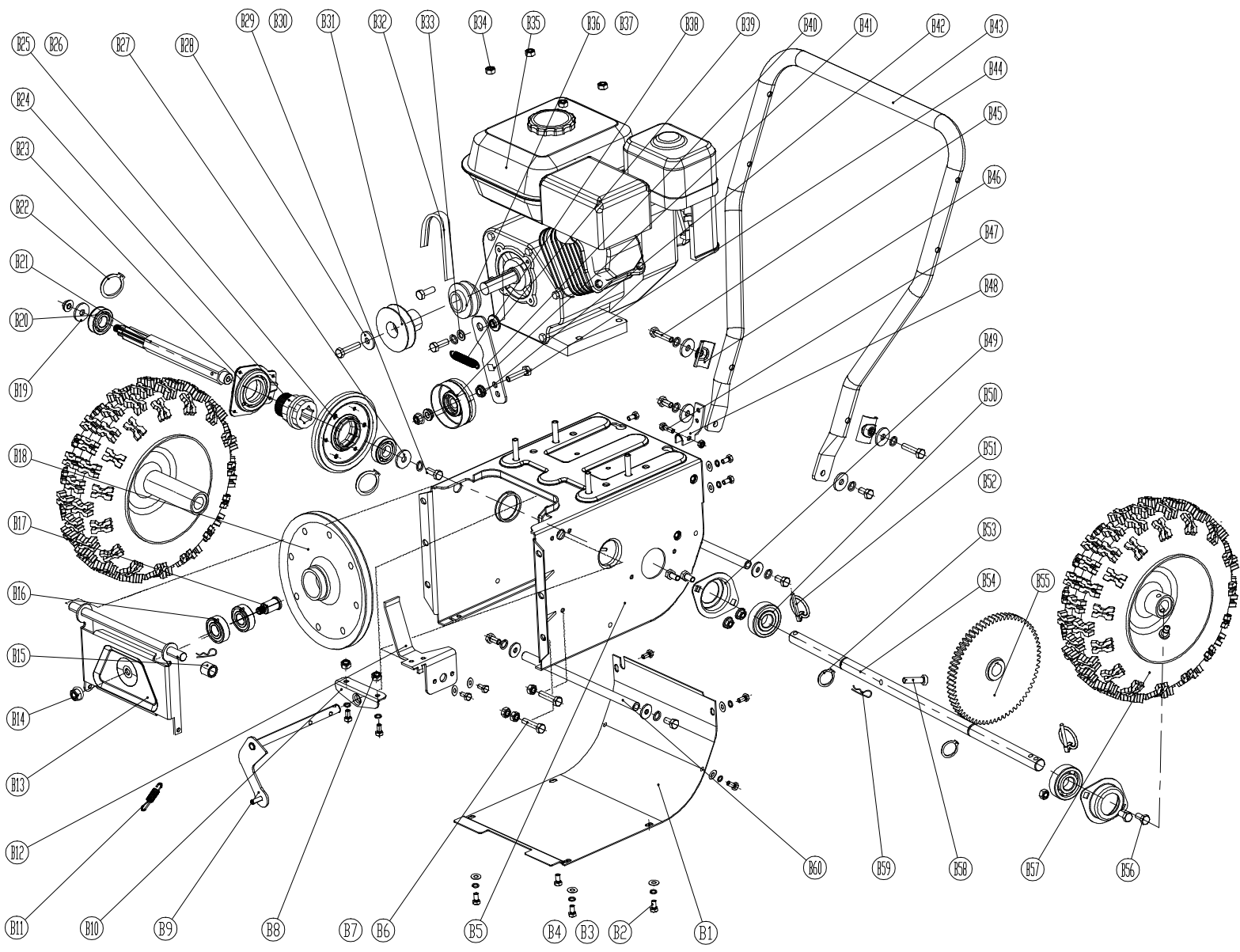


POS	QTY	PARTNUMBER	BESKRIVELSE	DESCRIPTION
D1	9	420614	LÅSEMØTRIK M8	HEX FLANG LOCK NUT
D2	1	420687	KARDANLED	RIGHT ANGLE GIMBAL
D3	1	420688	MØTRIK M8X1	HEXAGON NUTS,STYLE WITH FINE PITCH THREA
D4	1	420689	GEAR STANG	CONNECTING ROD
D5	4	420660	BØS	PLASTIC NUT HOUSING
D6	4	420690	VINGEMØTRIK	PLASTIC NUT
D7	2	420691	BESLAG FOR STYR	ALUMINUM GASKET
D8	4	420692	BRÆDDEBOLT M8X75	CARRIAGE BOLT M8X75
D9	1	420693	BESLAG	BRACKET
D10	3	420628	BOLTSÆT M6X16	HEXAGON HEAD BOLT ASSEMBLY6X16
D11	1	420694	DÆKSEL	BELT COVER
D12	1	420559	ARM	BELT BAFFLE
D13	1	420557	BOLT M8X20	HEXAGON HEAD SCREWS M8X20
D14	1	420565	SKIVE M8	BIG WASHER8
D15	1	420695	UDKASTER	CHUTE ASSEMBLY
D16	1	420696	FJEDER	CHUTE SPRING
D17	1	420697	BOLT	BOLT
D18	1	420698	UDKASTER SKÆRM	CHUTE CAP ASSEMBLY
D19	3	420699	SKIVE	PLASTIC PAD
D20	2	420700	BRÆDDEBOLT M8X16	CARRIAGE BOLTM8X16
D21	1	420534	KABEL	PULL WIRE FOR CHUTE CAP
D29	1	420701	SKRUE M6X8	HEXAGON SOCKET SET SCREWS WITH FLAT POIN
D28	1	420702	JUSTERSTYKKE	ROTATE
D27	5	420703	FJEDERSKIVE M6	SPRING WASHER 6
D25	5	420621	BOLT M6X12	BOLTM6X12
D26	5	420530	PLANSKIVE M6	FLAT WASHER 6
D24	1	420704	BESLAG	GUARD RAIL
D23	1	420705	HÆTTE M6	MONOLITHIC CLOSURE CAP 6
D22	1	420552	SKOVL	SNOW REMOVAL TOOL
D30	6	420706	MØTRIK M6	HEXAGON NUT M6
D31	6	420554	BOLT M6X16	PAN HEAD SCREWS WITH CROSS RECESSED M6X1
D32	3	420555	BESLAG	FIXED BLOCK
D33	1	420707	KILEREM	BELT



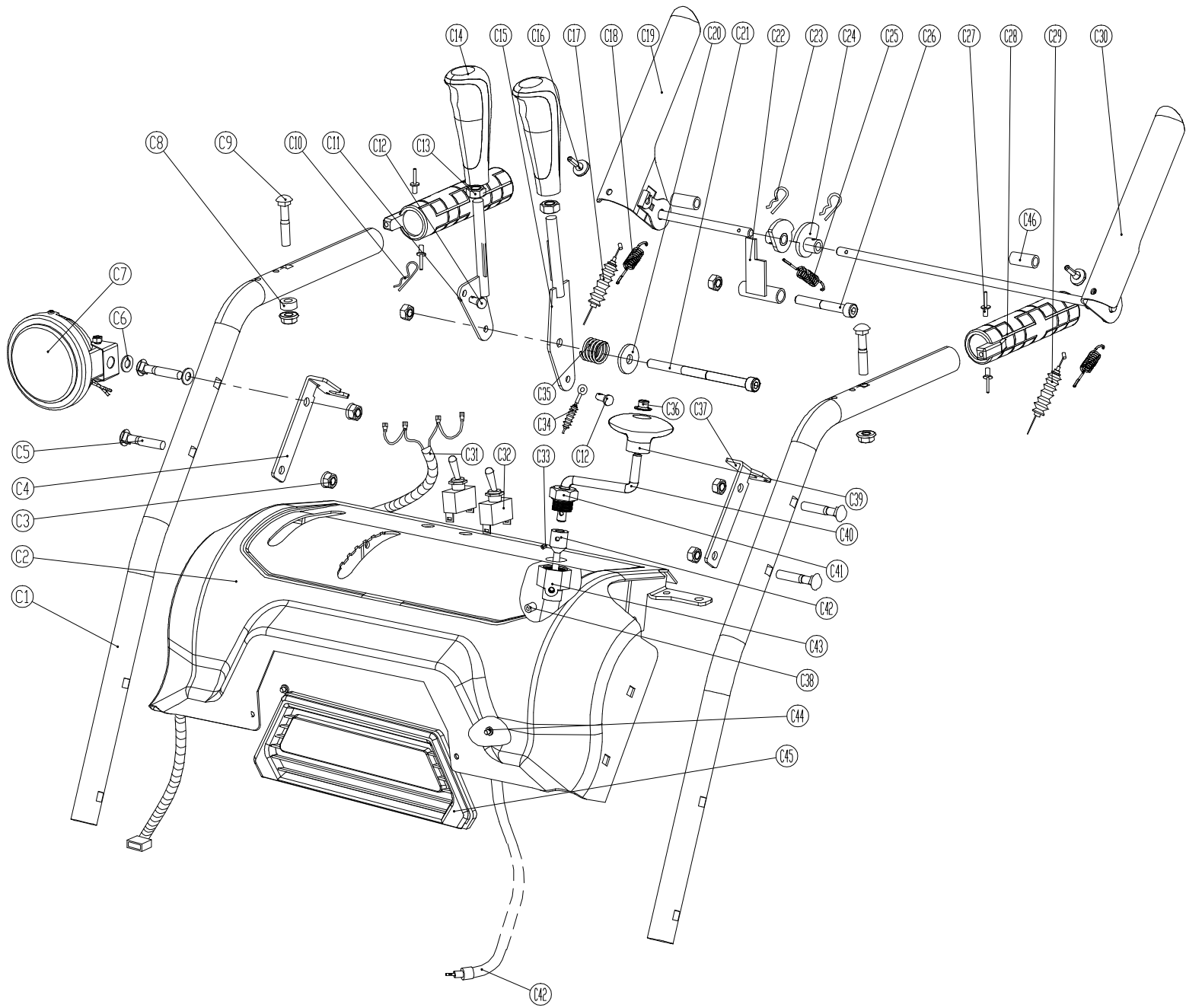
POS	QTY	PARTNUMBER	BESKRIVELSE	DESCRIPTION
A1	1	420564	SNEGLEHUS	HOUSING ASSEMBLY
A2	2	420566	SLÆBESKO	SLIDE SHOE
A3	17	420614	LÅSEMØTRIK M8	HEX FLANG LOCK NUT
A4	10	420708	SKIVE M8	BIG WASHER8
A5	4	420546	BOLT M8X20	CARRAGE BOLTM8X20
A6	9	420567	BRÆDDEBOLT M8X15	CARRIAGE BOLTM8X15
A7	1	420709	BUNDEBESLAG	SHAVE PLATE
A8	2	420710	NAV	BEARING COVER
A9	2	420711	LEJE	BEARING
A10	6	420569	BOLT M8X15	BOLT M8X15
A11	6	420712	FJEDERSKIVE M8	SPRING WASHER 8
A13	1	420713	SNEGL HØJRE	AUGER RIGHT
A14	2	420714	BOLT M6X30	HEXAGON HEAD BOLT M6X30
A15	4	420715	BØS	SMALL BUSHING
A16	2	420575	PAKDÅSE 19X30X7	FW OUTER SEALING RING
A17	1	420716	HUS TIL GEAR HØJRE	WOERM HOUSING RIGHT
A18	1	420717	AKSEL 630	OUTPUT SHAFT(630)
A19	1	420718	SMØRENIPPEL M6	ANGLE HYDRAULIC GREASE NIPPLES M6
A20	2	420529	FJEDERSPLIT	INDIVIDUA PEN PINCHCOCK
A21	2	420719	SIKKERHEDSBOLT	SAFETY SCREW
A22	1	420720	PAKNING	PAPER WASHER
A23	2	420721	KRAVE C19	OUTPUT SHAFT SLEEVE C19
A24	1	420722	GEARHJUL	WORM GEAR
A25	1	420723	NOT B5X5X15	PARALLEL KEYB5X5X15
A26	1	420724	KRAVE	WORM SHAFT BUSHING
A27	1	420725	HUS TIL GEAR VENSTRE	WORM HOUSING LEFT
A28	7	420726	BOLT M6X20	HEXAGON HEAD BOLTM6X20
A29	7	420703	FJEDERSKIVE M6	SPRING WASHER 6
A30	5	420553	MØTRIK M6	HEXAGON NUTS(WITH NON-METALLIC INSERT)M6
A31	1	420727	SNEGL VENSTRE	AUGER LEFT
A32	1	420588	AKSEL	WORM SHAFT
A33	1	420728	BESLAG HØJRE	BRACKET RIGHT
A34	1	420729	BESLAG VENSTRE	BRACKET LEFT
A35	1	420592	KRAVE	COLLAR FOR WORM SHAFT
A36	1	420730	RING	WORM SHAFT 1
A37	1	420594	PAKDÅSE B 20 35	SEALING RINGB 20 35
A38	2	420591	BOLT M6X35	HEXAGON HEAD BOLT M6X35
A39	1	420595	BLÆSEHJUL	FAN
A40	4	420690	VINGEMØTRIK	PLASTIC NUT
A41	2	420732	SKÆRM	HOUSING STRUT
A42	2	420733	SKRUE ST4.2X12	PAN HEAD TAPPING SCREWS WITH CROSS RECES
A43	2	420530	PLANSKIVE M6	FLAT WASHER 6
A44	1	420734	BESLAG FOR SKOVL	BRACKET FOR SNOW REMOVAL TOOL
A45	1	420735	BESLAG	SHAVE PLATE
A46	1	420736	BRÆDDEBOLT M8X40	CARRIAGE BOLTM8X40
A47	1	420737	MONTERINGSPLADE	FIXED PLATE
A48	1	420738	SKRUE	HEXAGON SCREW

POS	QTY	PARTNUMBER	BESKRIVELSE	DESCRIPTION
A49	1	420739	BØS	PAD
A50	1	420740	STRAMMERULLE	BIG TENSION PULLEY
A51	1	420642	PAKNING	PAD
A52	1	420741	KABEL	AUGER PULL WIRE
A53	1	420742	REMHJUL	BELT PULLEY
A54	1	420558	SKIVE M8	BIG WASHER8
A55	1	420743	BOLT M8X35	HEXAGON HEAD BOLT LEFTM8X35
A56	2	420744	NITTE 4X10	OPEN TYPE BLIND RIVET4X10
A57	1	420745	NOT B6X6X22	PARALLEL KEYB6X6X22
A58	1	420602	AKSEL	PULLY SHAFT
A59	1	420746	NAV	BEARING COVER
A60	1	420599	KUGLELEJE	BALL BEARING
A61	1	420747	FJEDER	SPRING5
A62	4	420659	UNBRAKOBOLT M8X16	HEXAGON SOCKET CAP SCREW M6X12
A63	1	420748	SKÆRM HØJRE	RIGHT COVER OF HIGH PANEL
A64	2	420614	LÅSEMØTRIK M8	HEX FLANG LOCK NUT
A65	1	420749	PANEL	HIGHER PANEL
A66	2	420546	BOLT M8X20	CARRAGE BOLTM8X20
A67	1	420750	SKÆRM VENSTRE	LEFT COVER OF HIGHER PANEL



POS	QTY	PARTNUMBER	BESKRIVELSE	DESCRIPTION
B1	1	420751	SKJOLD	COVER, FRAME
B2	17	420752	BOLT M6X10	HEXAGON HEAD BOLT M6X10
B3	17	420703	FJEDERSKIVE M6	SPRING WASHER 6
B4	11	420597	SKIVE M6	FLAT WASHER6
B5	1	420753	CHASSIS	WHEEL BOX
B6	2	420754	BOLT M6X35	HEXAGON HEAD BOLT M6X35
B7	3	420553	MØTRIK M6	HEXAGON NUTS(WITH NON-METALLIC INSERT)M6
B8	4	420755	MØTRIK M6X8	HEXAGON SOCKET CAP SCREWS M6X8
B9	1	420618	GEARARM	SHIFTING FORK
B10	1	420756	BESLAG	RIGHT ANGLE METAL BLOCK
B11	1	420637	FJEDER	SPRING6
B12	1	420757	MONTERINGSPLADE	BEVEL BAFFLE
B13	1	420758	BESLAG	BEVEL WHEEL BRACKET
B14	2	420759	LÅSEMØTRIK M10	PREVAILING TORQUE TYPE HEXAGON NUTS(WITH
B15	1	420760	AFSTANDBØS	SPACER
B16	2	420761	LEJE 6003-2RS	BEARING
B17	1	420762	AKSEL	DRIVE BELT AXLE
B18	1	420763	REMHJUL	BIG BELT WHEEL
B19	1	420764	SKIVE 10	BIG WASHER 10
B20	2	420765	KUGLELEJE 6020-2ZN	BALL BEARING
B21	1	420766	AKSEL	HEXAGON TRANSMISSION SHAFT
B22	1	420767	SEEGERRING 40	CHECK RING, FOR SHAFT 40
B23	2	420768	DÆKSEL	GEAR WHEEL COVER
B24	1	420769	GEARHJUL	GEAR WHEEL
B25	1	420770	GEARHJUL	RUBBER RING, FOR GEAR WHEEL
B26	2	420771	REMHJUL	BIG WASHER, FOR GEAR WHEEL
B27	5	420565	SKIVE M8	BIG WASHER8
B28	1	420558	SKIVE M8	BIG WASHER8
B29	5	420772	BOLT M8X20	HEXAGON BOLT M8X20
B30	10	420712	FJEDERSKIVE M8	SPRING WASHER 8
B31	1	420773	REMHJUL	BELT PULLEY 2
B32	1	420774	TRÆKREM	BELT
B33	5	420775	SKIVE M8	FLAT WASHER 8
B34	9	420614	LÅSEMØTRIK M8	HEX FLANG LOCK NUT
B36	1	420776	REMHJUL	BELT WHEEL TURNTABLE 1
B37	1	420777	REMHJUL	BELT WHEEL TURNTABLE 2
B38	1	420778	FJEDER	SPRING 3
B39	1	420779	SKIVE	PAD, FOR SMALL TENSION PULLEY
B40	1	420780	STRAMMERULLE	SMALL TENSION PULLEY
B41	1	420781	ARM	SMALL TENSION PLATE
B42	2	420782	AFSTANDSSKIVE	PAD
B43	1	420783	STYRRØR NEDRE	ARMREST
B44	1	420784	BOLT M8X35	HEXAGON HEAD BOLT M8X35

POS	QTY	PARTNUMBER	BESKRIVELSE	DESCRIPTION
B45	2	420785	BOLT M8X45	HEXAGON HEAD BOLT M8X45
B46	2	420786	PAKNING	GASKET
B47	1	420787	BOLT	HEXAGON HEAD BOLT
B48	1	420788	FORBINDER	GEAR CONNECTOR
B49	2	420789	HUS	RHOMBUS BEARING HOUSING
B50	2	420790	KUGLELEJE	BALL BEARING
B51	2	420651	RINGSPLIT	SPRING PINS
B52	2	420791	RINGSPLIT	SPRING RING
B53	2	420625	HESTESKOSIKRING 19	CIRCLE FOR SHAFT19
B54	1	420792	AKSEL	DRIVE SHAFT
B55	1	420793	GEARHJUL	DIFFERENTIAL
B56	4	420794	BOLT M8X15	HEXAGON HEAD BOLT M8X15
B57	2	420795	HJUL	TYRE
B58	1	420619	BOLT	PINNED SHAFT WITH WHOLE
B59	2	420529	FJEDERSPLIT	INDIVIDUA PEN PINCHCOCK
B60	2	420796	STANG	STRUT BAR



POS	QTY	PARTNUMBER	BESKRIVELSE	DESCRIPTION
C1	2	420797	STYRRØR ØVRE	HANDLE UPPER
C2	1	420798	KONTROLPANEL	PANEL ,ELECTRICAL
C3	8	420799	LÅSEMØTRIK M8	HEX FLANGE NUT WITH NOMENTAL INSERT FM8
C4	1	420800	BESLAG	WIRE SEAT RIGHT
C5	4	420736	BRÆDDEBOLT M8X40	CARRIAGE BOLTM8X40
C6	1	420699	SKIVE	PLASTIC PAD
C7	1	420801	FORLYGTE	LIGHT
C8	2	420802	SKIVE	WASHER
C9	1	420803	BRÆDDEBOLT M8X35	CARRIAGE BOLT M8X35
C10	2	420529	FJEDERSPLIT	INDIVIDUA PEN PINCHCOCK
C11	1	420804	BESLAG TIL HÅNDTAG	GEAR CONTROL LEVER
C12	2	420535	SKIVE	PULL WIRE BOLT
C13	2	420805	MØTRIK M10	HEX NUT M10
C14	1	420806	GREB GEAR	REGULATION HANDLE
C15	1	420807	GREB VERTIKALT SKÆRM	CHUTE CAP HANDLE
C16	2	420808	GUMMI	RUBBER PAD
C17	1	420809	KOBLINGSKABEL	MOVING PULL WIRE
C18	2	420810	FJEDER	HANDLE SPRING
C19	1	420811	KOBLINGSGREB	HANDLE ,RIGHT
C20	1	420558	SKIVE M8	BIG WASHER8
C21	1	420812	UNBRAKOBOLT M8X120	HEXAGON SOCKET CAP SCREW M8X120
C22	1	420813	BESLAG	STOPING PART
C23	2	420814	FJEDERSPLIT	INDIVIDUAL PEN PINCHCOCK
C24	2	420815	BESLAG	CAM
C25	1	420816	FJEDER	STOPPING SPRING
C26	1	420817	UNBRAKOBOLT M8X60	SOCKET CAP SCREW M8X60
C27	4	420818	NITTE	OPEN TYPE BLIND RIVET3X8
C28	2	420819	GREB	HEATED HANDLE
C29	1	420820	KABEL	AUGER PULL WIRE
C30	1	420821	HÅNDTAG SNEGLESKRUE	HANDLE LEFT
C31	1	420822	LEDNING	INPUT WIRE
C32	2	420823	KONTAKT	ARC SWITCH
C33	1	420824	SKRUE M4X6	SCREW M4X6
C34	1	420534	KABEL	PULL WIRE FOR CHUTE CAP
C35	1	420825	FJEDER	PRETIGHTEN SPRING
C36	1	420826	HÆTTE M8	MONOLITHIC CLOSURE CAP
C37	1	420827	HOLDER	WIRE SEAT
C38	1	420701	SKRUE M6X8	HEXAGON SOCKET SET SCREWS WITH FLAT POIN
C39	1	420828	GREB HORIZONTALT UDKASTER	ROCKER HANDLE
C40	1	420829	ARM	SMALL ROCKER
C41	1	420830	KRAVE	FIXED SEAT 2
C42	1	420831	RØR	FLEXIBLE SHAFT
C43	1	420832	HOLDER	FIXED SEAT 1
C44	2	420833	BOLT	CROSS RECESSED RAISED HEAD BOLTM6X8
C45	1	420834	PANEL	PANEL
C46	2	420835	AFSTANDSSKIVE	SPACER