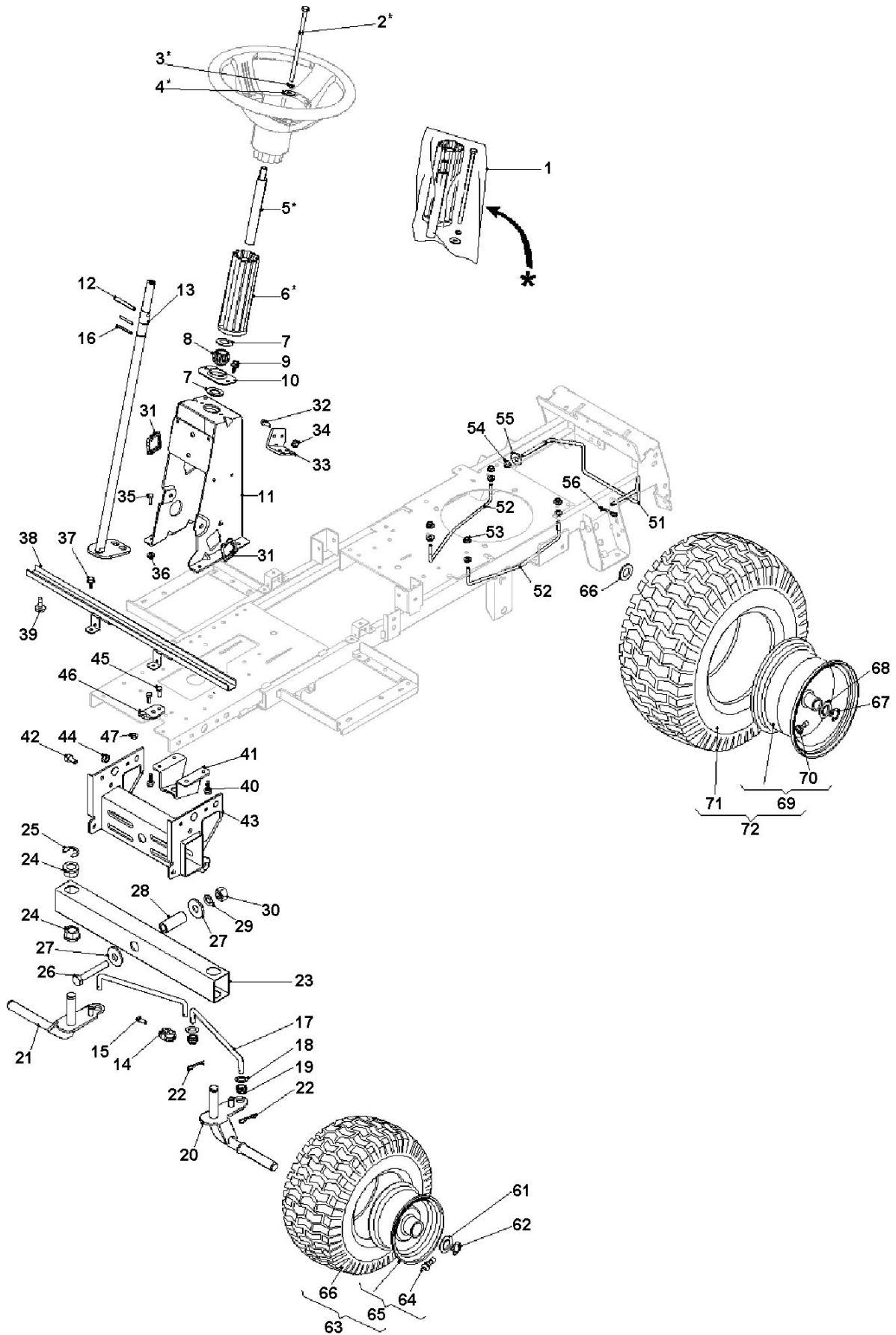


↕	↕	Anzahl der Artikel	↕	Description	↕	Note	Min. qty	Preis
		1		325961220/0		-		1
		2		327110486/0		-		1
		2		327110487/0		-		1
		2		327110519/0		UPPER STEER.WH.COL.COV.GREY		1
		3		327110492/0		-		1
		3		327110493/0		-		1
		3		327110510/0		FRONT STEER.WH.COL.COV.RED		1
		3		327110528/0		GREEN FRONT STEERING COL. COVER		1
		4		125943010/0		SCREW 2009		4

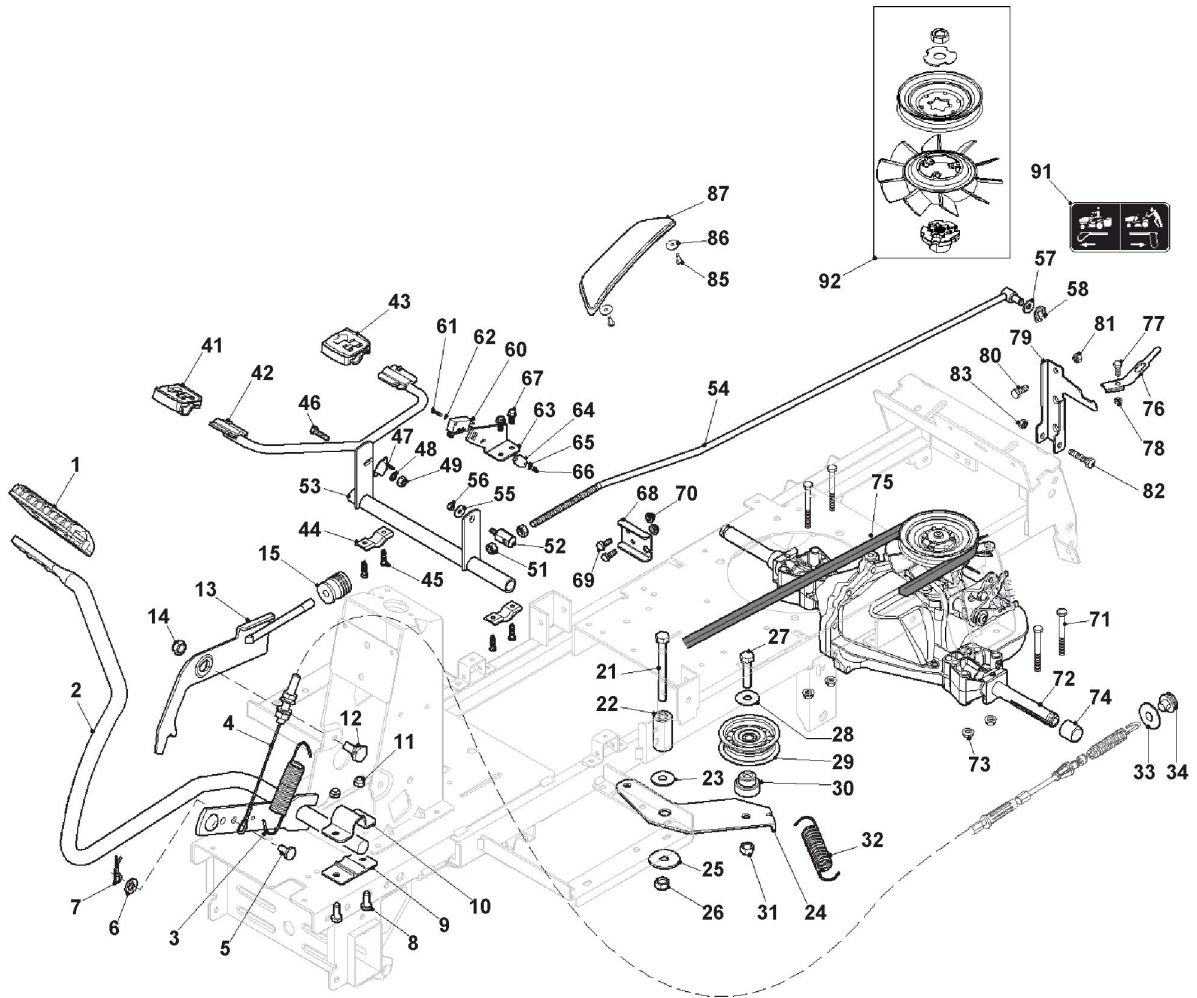
5	327110483/0	-		1
5	327110518/0	REAR STEER. WH.COL.COVER GREY		1
5	327110522/0	BLACK REAR STEERING COL. COVER		1
6	112728300/0	SCREW PT TORX WN1451 K50X22 200		4
7	327500501/0	RIGHT FOOT REST BLACK		1
8	327500500/0	LEFT FOOT REST BLACK		1
9	112735402/0	BLECHSCHRAUBE D=6x18		14
10	327110478/0	-	To 31-august-2013	1
10	327110478/1	Couvre Gris	From 01-september-2013	1
10	327110516/0	CENTRAL COVER GREY	To 31-august-2013	1
10	327110516/1	Kappe, Grau	From 01-september-2013	1
10	327110520/0	BLACK COVER	To 31-august-2013	1
10	327110520/1	Kappe, Schwarz	From 01-september-2013	1
11	112728300/0	SCREW PT TORX WN1451 K50X22 200		2
12	327110488/0	-		1
12	327110489/0	-		1
12	327110511/0	RIGHT REAR COVER RED		1
12	327110529/0	GREEN RIGHT REAR COVER		1
12	327110533/0	RIGHT REAR COVER BLACK		1
13	327110490/0	-		1
13	327110491/0	-		1
13	327110512/0	LEFT REAR COVER RED STD		1
13	327110530/0	GREEN LEFT REAR COVER		1
13	327110534/0	LEFT REAR COVER BLAC		1
14	112727801/0	SCREW TCB TORX 2009		6
15	112728300/0	SCREW PT TORX WN1451 K50X22 200		6
16	327110480/0	FRAME COVER GREY	To 31-august-2013	1
16	327110480/1	FRAME COVER GREY	From 01-september-2013	1
16	327110517/0	FRAME COVER GREY	To 31-august-2013	1
16	327110517/1	FRAME COVER GREY	From 01-september-2013	1
16	327110521/0	BLACK COVER	To 31-august-2013	1
16	327110521/1	BLACK COVER	From 01-september-2013	1
17	112437507/0	RAPID FIXING PLATE 2009		10
19	125943010/0	SCREW 2009		6
21	327110481/0	-	To 31-august-2013	1
21	327110481/1	ENGINE COVER BLACK	From 01-september-2013	1
22	327110494/0	-		1
22	327110495/0	-		1
22	327110514/0	REAR COVER RED ST		1
22	327110532/0	GREEN REAR COVER		1
22	327110536/0	BLACK REAR COVER		1
24	327394004/0	GRASS BAG HANDLE BLACK		1
25	327110484/0	-		1
25	327110485/0	-		1
25	327110513/0	GRASS BAG COVER RED STD		1
25	327110531/0	GREEN GRASS BAG COVER		1
25	327110535/0	GRASS BAG COVER BLAC		1
26	184106074/0	-		1
27	112793101/0	HEXAG.HEAD SCREW 2009		4
28	112583500/0	FEDERRING M8		4
29	112523060/0	U-SCHEIBE 8.4x24x2		4
31	325580503/0	LENKRAD 2009		1
32	325580504/0	LENKRAD		1
36	125722463/0	SITZ EX/ELV 63 - J 98s COMFORT Bj.03/04		1
38	125722471/0	MOUNTFIELD COMFORT SEAT 2008		1
40	125722470/0	SITZ NJ 92/98s		1



Anzahl der Artikel	Description	Note	Min. qty	Preis
1	384180219/0	STEERING WHEELS FIX OUTFIT	1	
2	127840055/0	-	1	
3	112540260/0	WASHER 2009	1	

4	112523070/0	WASHER 2009		1
5	127160060/0	-		1
6	325785419/0	-		1
7	125670023/0	SCHEIBE 2009		2
8	122746617/0	STEERING WHEELS SPHERIC JOINT		1
9	112735121/0	FLANGED TAPPING SCREW 2009		2
10	327787091/0	-		1
11	384773575/0	-		1
12	112620300/0	SPANNSTIFT 2009		1
13	384520051/0	-		1
14	327045073/0	-	To 31-august-2013	1
14	327045074/0	-	From 01-september-2013	1
15	125943004/0	SCREW 2009		2
16	112620210/0	STIFT		2
17	127034091/0	SPINDLE COMMAND ROD		2
18	112521350/0	U-SCHEIBE 8.4x16x1.6		4
19	327045072/0	-		4
20	384230411/0	LEFT SPINDLE ASS.Y		1
21	384230409/0	RIGHT SPINDLE ASS.Y		1
22	124487995/0	-		4
23	327869061/0	" FORECARRIAGE TUBE 15""		1
24	127047019/0	SPINDLE BUSH		4
25	112000970/0	SICHERUNGSRING D=12		2
26	112794950/0	-		1
27	112523080/0	U-SCHEIBE 11x30x2.5 UNI 6593		2
28	127160062/0	-		1
29	112585100/0	GROWER M10 2009		1
30	112295200/0	HEXAG. NUT 2009		1
31	327580500/0	PLATE		2
32	112791200/1	SECHSKANTSCHRAUBE M6X16 2009		2
33	327772199/0	-		1
34	112292102/0	MUTTER M6		2
35	112791200/1	SECHSKANTSCHRAUBE M6X16 2009		4
36	112292102/0	MUTTER M6		4
37	112735122/0	HEXAG.HEAD SELF-TAPPING SCREW 2009		4
38	384783061/0	FOOTBOARD SUPPORT ASS.Y		1
39	127275000/0	GROMMET HYDRO 2009		1
40	112735122/0	HEXAG.HEAD SELF-TAPPING SCREW 2009		4
41	327772165/0	-	To 31-august-2013	1
41	327772165/1	STEER.COLUMN BOTTOM SUP.STIRRUP	From 01-september-2013	1
42	112792611/0	SECHSKANTSCHRAUBE M8x16		4
43	384783059/0	FIX FORECARRIAGE SUPPORT ASS.Y		1
44	112293201/0	MUTTER		4
45	112791200/1	SECHSKANTSCHRAUBE M6X16 2009		2
46	327772209/0	BLADE ENG. WIRE REG.SUP.STIRRUP		1
47	112292102/0	MUTTER M6		2
51	127294009/0	-		1
52	127294010/0	ENGINE PULLEY BELTGUIDE	To 31-august-2013	2
52	127294010/1	ENGINE PULLEY BELTGUIDE	From 01-september-2013	2
53	112292102/0	MUTTER M6		8
54	112154510/0	MUTTER M6 SELBSTSICHERND UNI 7474		1
55	112521330/0	U-SCHEIBE 6.4x12x1.16 UNI 6592		1
56	124487997/0	SPLINT D=1.8mm		1
61	112000970/0	SICHERUNGSRING D=12		2
62	112521390/0	U-SCHEIBE 17x30x3		2
63	384680073/0	11" FRONT WHEEL ASS.Y	Wheels Type B	2
63	384680074/0	13" FRONT WHEEL ASS.Y	Wheels Type A	2
64	125590000/0	FRONT TYRE 13x500-6 2009		2
65	184044014/0	FRONT RIM ASS.Y 11 INCH	Wheels Type B	2
65	184044015/0	FRONT RIM ASS.Y 13INCH	Wheels Type A	2
66	125590018/0	-	Wheels Type A	2
66	127590067/0	-	Wheels Type B	2

67	112001010/0	SICHERUNGSRING D=19mm		2
68	125670005/2	SCHEIBE 2009		4
69	184044013/0	REAR WHEEL RIMMED		2
70	125590000/0	FRONT TYRE 13x500-6 2009		2
71	125590018/0	-	Wheels Type B	2
71	127590068/0	TYRE	Wheels Type A	2
72	384680075/0	13" REAR WHEEL ASS.Y	Wheels Type B	2
72	384680076/0	-	Wheels Type A	2



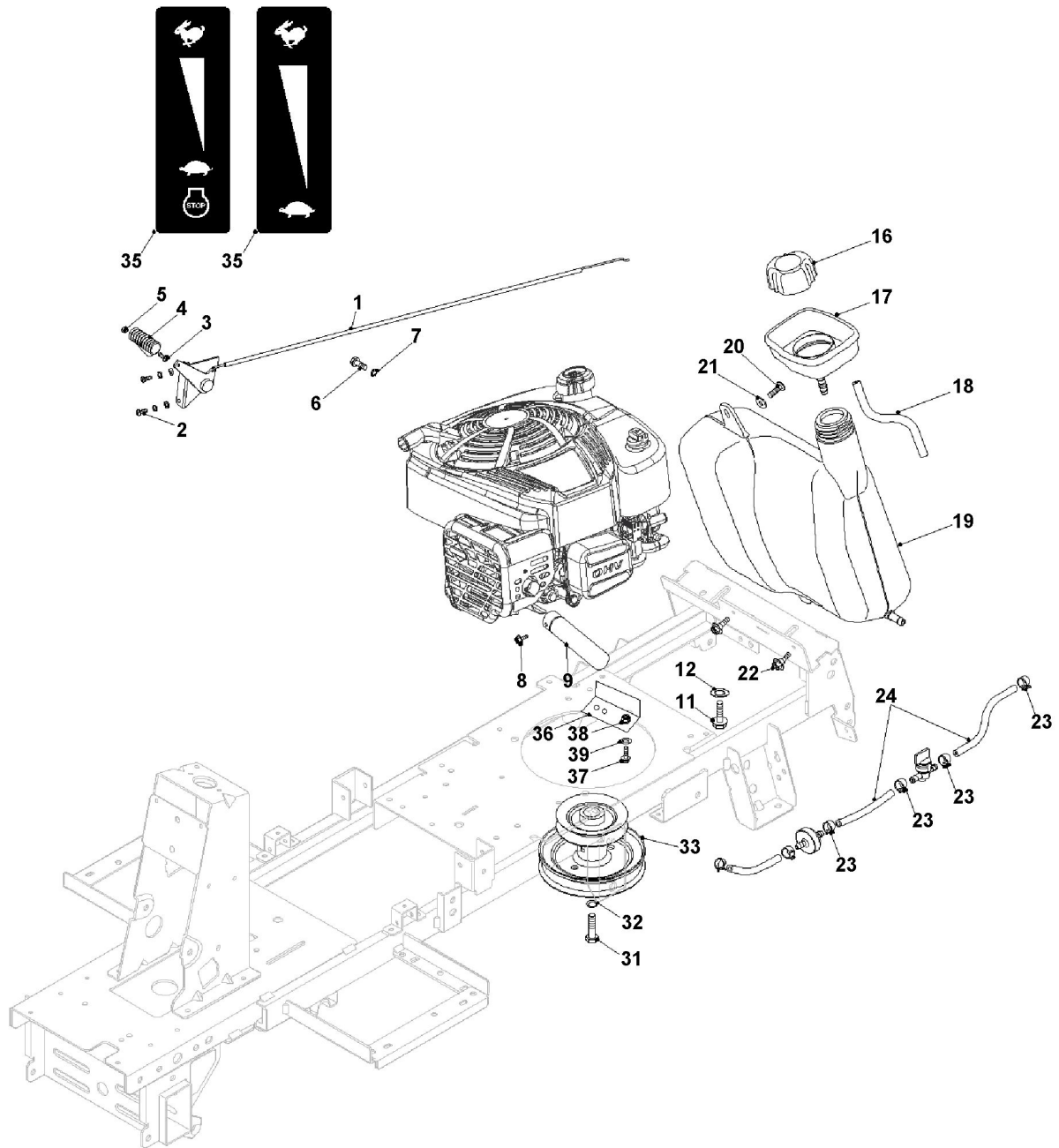
↕	↕	Anzahl der Artikel	↕	Description	↕	Note	Min. qty	Preis
1		325110409/0		BRAKE PEDAL STIRR.COVER SD 108 2010			1	
2		384503013/0		BRAKE PEDAL ASS.Y			1	
3		127430594/0		SPRING			1	
4		384004604/0		BRAKE CABLE ASS.Y			1	
5		127510120/0		-			1	
6		112521350/0		U-SCHEIBE 8.4x16x1.6			1	
7		124487997/0		SPLINT D=1.8mm			1	
8		112791400/0		HEXAG-HEAD SCREW 2009			4	
9		325785350/0		FEED PEDAL AXLE SUPPORT SD 98 HYDRO 2010			2	





10	325547231/0	PLATTE 2009		2
11	112154510/0	MUTTER M6 SELBSTSICHERND UNI 7474		4
12	122524970/3	Stift		1
13	384002097/0	PARK BRAKE COM. ROD ASS.Y		1
14	112154210/0	MUTTER M8 SELBSTSICHERND		1
15	127395050/1	KNAUF F 72/J 92(H) SCHWARZ		1
21	112691900/0	SECHSKANTSCHRAUBE M8x65 8.8		1
22	127160065/0	TRACTION PULLEY SPACER		1
23	122041980/0	SPACER BUSH 2009		1
24	327315139/0	TRACTION BELT PULLEY LEVER		1
25	112523070/0	WASHER 2009		1
26	112155000/0	MUTTER M8 SELBSTSICHERND		1
27	112691115/0	HEXAG-HEAD SCREW 2009		1
28	112523060/0	U-SCHEIBE 8.4x24x2		1
29	127604015/0	TRACTION TENSIONER PULLEY		1
30	127160064/0	TRACTION TENSIONER PULLEY SPACE		1
31	112155000/0	MUTTER M8 SELBSTSICHERND		1
32	127430594/0	SPRING		1
33	112521360/0	SCHEIBE 10.5x20x2		1
34	127510124/0	HY BRAKE FIX CABLE PIN		1
41	325110274/0	BLACK FEED PEDAL COVER HF22XX 2009		1
42	384503011/0	MOVE PEDAL ASS.Y		1
43	325110331/0	PEDALGUMMI NJ 92 HYDRO SCHWARZ		1
44	327546015/2	-		2
45	112731350/0	BLECHSCHRAUBE 5.5x19 UNI 6949		4
46	112791400/0	HEXAG-HEAD SCREW 2009		1
47	127063022/0	PLASTIC NEUTRAL SWITCH CAM F 7 2009		1
48	112521330/0	U-SCHEIBE 6.4x12x1.16 UNI 6592		1
49	112154510/0	MUTTER M6 SELBSTSICHERND UNI 7474		1
51	112155000/0	MUTTER M8 SELBSTSICHERND		1
52	127510103/0	-		1
53	112293200/0	MUTTER M8 UNI 5588		1
54	384002095/0	FEED/REVERSE COM. ROD ASS.Y		1
55	112523040/0	WASHER 2009		1
56	112154510/0	MUTTER M6 SELBSTSICHERND UNI 7474		1
57	325670011/0	SCHEIBE 2009		1
58	112436050/0	-		1
60	119410609/0	NEUTRALSCHALTER HYDRO ABV12		1
61	112735602/0	SCREW 2009		2
62	112581100/0	WASHER 2009		2
63	327543053/0	NEUTRAL SWITCH PLATE HOLDER	To 31-august-2013	1
64	327546019/0	PLATE HYDRO 2009		1
65	112540020/0	WASHER 2009		2
66	112290791/0	HEXAG. NUT 2009		2
67	112735122/0	HEXAG.HEAD SELF-TAPPING SCREW 2009		2
68	327772223/0	BRAKE CABLE HOOKING STIRRUP		1
69	112791200/1	SECHSKANTSCHRAUBE M6X16 2009		2
70	112292102/0	MUTTER M6		2
71	112691600/0	HEXAG-HEAD SCREW 2009		4
72	118400980/0	HYDRO TRANSMISSION		1
73	112154210/0	MUTTER M8 SELBSTSICHERND		4
74	127160063/0	REAR WHEELS SPACER		2
75	135061429/0	-		1
76	327315137/0	-		1
77	112791011/0	SECHSKANTSCHRAUBE M6x14 8.8		1
78	112154510/0	MUTTER M6 SELBSTSICHERND UNI 7474		1
79	327772187/0	-		1
80	112792611/0	SECHSKANTSCHRAUBE M8x16		1
81	112155000/0	MUTTER M8 SELBSTSICHERND		1
82	112691400/0	HEXAG.HEAD SCREW 2009		1
83	112155000/0	MUTTER M8 SELBSTSICHERND		1
85	112735110/0	SECHSKANTSCHRAUBE M10x20 10.9		2

86	112523030/0	WASHER 2009	2
87	327110507/0	#N/A	1
91	114361451/0	KLEBZETTEL (hydro) 2009	1
92	118802722/0	-	1



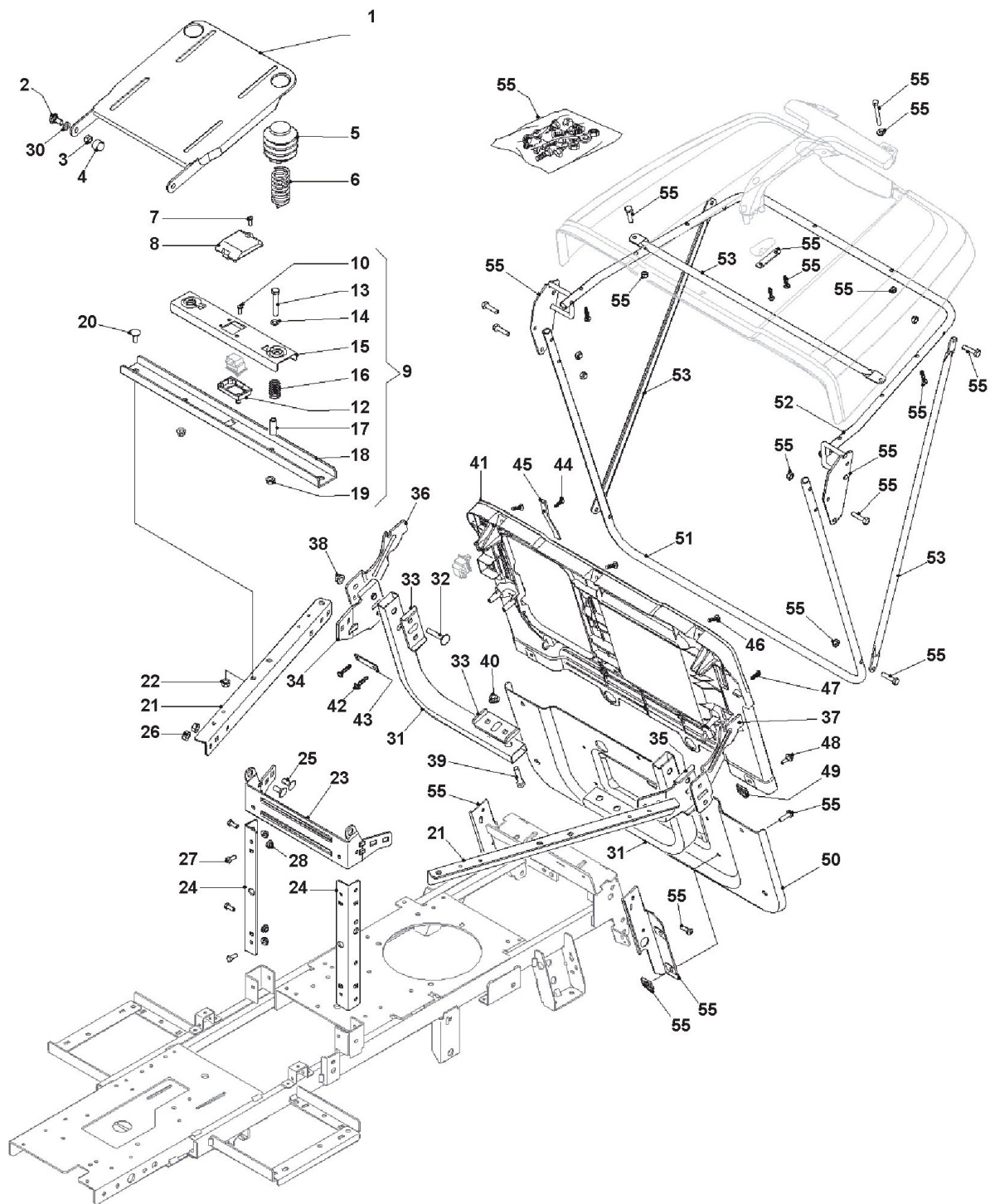
Motor - B&S




	 	Anzahl der Artikel		Description		Note	Min. qty	Preis
1		184000256/0		THROTTLE CONTROL ASS.Y			1	
2		125943012/0		SCREW 2009			2	
3		112726388/0		SCREW 2009			1	
4		125394501/0		HANDLE 2009			1	
5		112290800/0		HEXAG. NUT 2009			1	
6		112735599/0		SCHRAUBE 2009			1	
7		112540040/0		WASHER 2009			1	
8		112735110/0		SECHSKANTSCHRAUBE M10x20 10.9			1	
9		118738252/0		EXHAUST TUBE			1	
11		112735108/1		GEWINDEFORMENDE SECHSKANTSCHRAUBE 2009			3	
12		112540070/0		KRANZSCHEIBE 10mm UNI 8842-A			3	
16		127790000/1		TANKVERSCHLUSS 2009			1	
17		327600180/0		-			1	
18		327869054/1		-			1	
19		327733008/0		-			1	
20		112727801/0		SCREW TCB TORX 2009			1	
21		112523040/0		WASHER 2009			1	
22		125943010/0		SCREW 2009			2	
23		118375051/1		-			4	
24		325869035/1		CONNECTING TUBE EL63 2009			1	
31		112735694/0		MESSERSCHRAUBE 3/8x1 1/2 RECHTSGEWINDE		Wheels Type B	1	
31		112736850/0		"SECHSKANTSCHRAUBE 3/8x2""1/2"		Wheels Type A	1	
32		112543000/0		WASHER 2009			1	
33		384601500/0		ENGINE PULLEY ASS.Y		Wheels Type A	1	
33		384601501/0		ENGINE PULLEY ASS.Y		Wheels Type B	1	
35		114366873/0		-			1	
35		114366874/0		-			1	
36		327772239/0		Poulie			1	
37		112791200/1		SECHSKANTSCHRAUBE M6X16 2009			3	
38		112292102/0		MUTTER M6			3	
39		122675110/0		MUTTER			2	



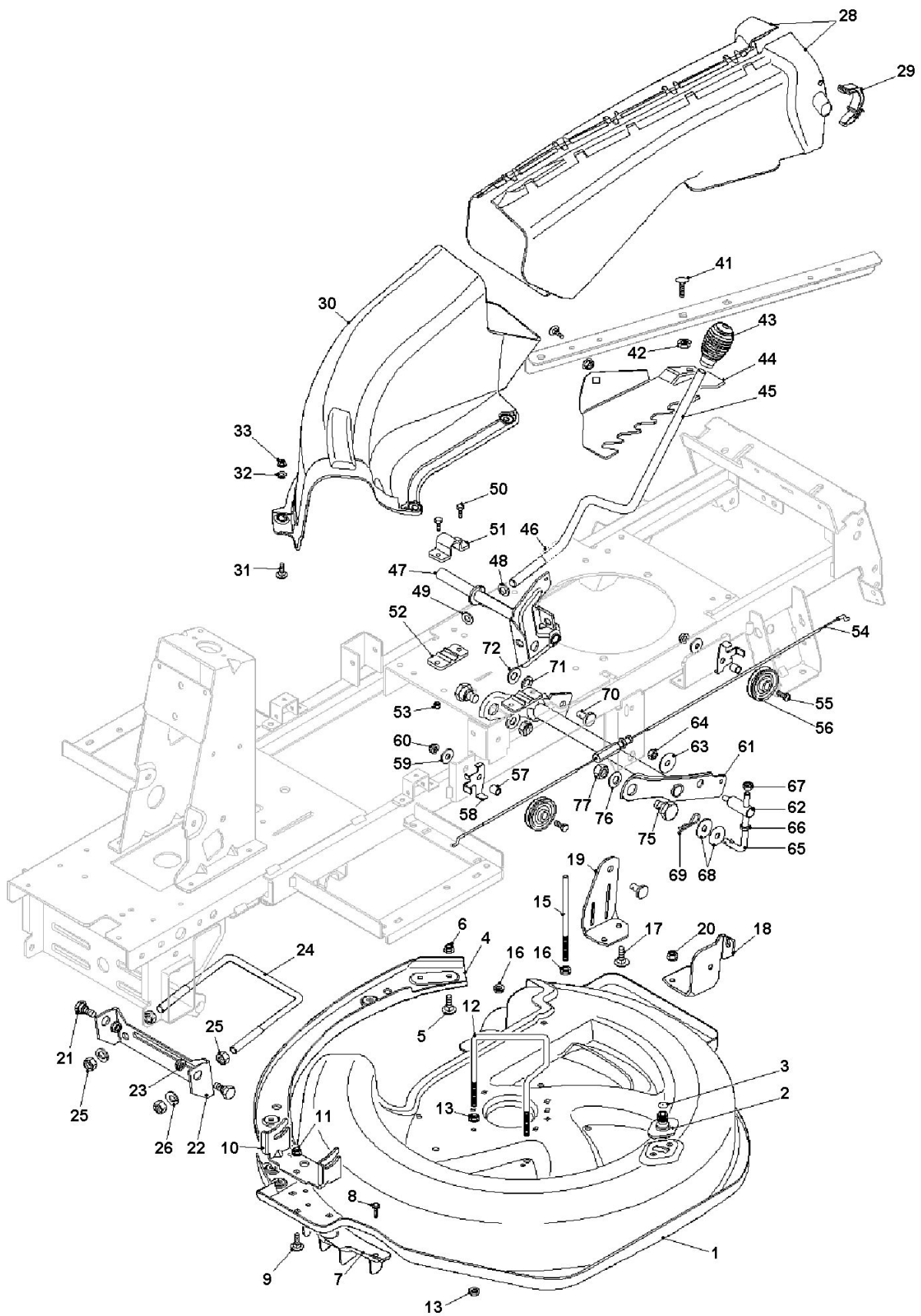
Rahmensatz



	 Anzahl der Artikel	 Description	 Note	Min. qty	Preis
1	382547061/0	SITZPLATTE 2009			1
2	122524970/3	Stift			2
3	112155010/0	MUTTER M8 SELBSTSICHERND			2
4	118203854/0	PROT. CAP FOR NUT/SCREW M8 2009			2
5	327737500/0	HOOD PROTECT.SEAT SPRING			2
6	127430589/0	SEAT SHOCK ABSORBER SPRING			2
7	112728706/0	SKRUV 2009			1
8	327110508/0	-			1
9	384394751/0	SEAT SWITCH ASS.Y	To 31-august-2013		1
9	384394751/1	SEAT SWITCH ASS.Y	From 01-september-2013		1
10	112728686/0	SCHRAUBE			2
11	119410606/0	Mikroschalter	From 01-september-2013		1
11	119410613/0	KONTAKTSCHALTER	To 31-august-2013		1
12	325785379/0	-	To 31-august-2013		1
12	325785379/1	Support	From 01-september-2013		1
13	112691400/0	HEXAG.HEAD SCREW 2009			2
14	112521350/0	U-SCHEIBE 8.4x16x1.6			2
15	327543047/0	SEAT SPRING PLATE			1
16	125430263/0	FEDER 2009			2
17	125160048/0	DISTANZ 2009			2
18	327787089/0	SEAT SPRING PLATE SUPPORT			1
19	112293201/0	MUTTER			2
20	112818690/0	SCREW WITHOUT NUT 2009			2
21	327650131/0	-			2
22	112293201/0	MUTTER			2
23	327543039/0	-			1
24	327010209/0	-			2
25	112818690/0	SCREW WITHOUT NUT 2009			8
26	112293201/0	MUTTER			8
27	112791200/1	SECHSKANTSCHRAUBE M6X16 2009			8
28	112154510/0	MUTTER M6 SELBSTSICHERND UNI 7474			8
30	122675110/0	MUTTER			2
31	327869063/0	-			2
32	112819105/0	FLECHRUNDSCHRAUBE M8X50			4
33	327543029/0	-			4
34	327772171/0	-			1
35	327772213/0	RIGHT GRASC.HOOKING STIRRUP			1
36	327772225/0	LEFT SEAT SUPPORT			1
37	327772215/0	LEFT GRASC.HOOKING STIRRUP	To 31-august-2013		1
37	327772215/1	-	From 01-september-2013		1
38	112154210/0	MUTTER M8 SELBSTSICHERND			4
39	112691115/0	HEXAG-HEAD SCREW 2009			4
40	112154210/0	MUTTER M8 SELBSTSICHERND			4
41	327543027/0	PLASTIC UPPER REAR PLATE			1
42	112728300/0	SCREW PT TORX WN1451 K50X22 200			4
43	322545142/0	PLATTE			2
44	112728300/0	SCREW PT TORX WN1451 K50X22 200			1
45	127430554/0	KONTAKTFEDER FANGSACK F 72(H)	To 31-august-2013		1
46	112727801/0	SCREW TCB TORX 2009			3
47	112728300/0	SCREW PT TORX WN1451 K50X22 200			2
48	125943010/0	SCREW 2009			2
49	112437507/0	RAPID FIXING PLATE 2009			2
50	327543025/0	LOWER REAR PLATE			1
51	384801145/0	GRASS BAG FRONT FRAME			1
52	384801147/0	GRASS BAG UPPER FRAME			1
53	327650133/0	GRASC. UPPER STIFFENER			3
55	384180218/0	SCREWS OUTFIT	To 31-august-2013		1
55	384180218/1	-	From 01-september-2013		1



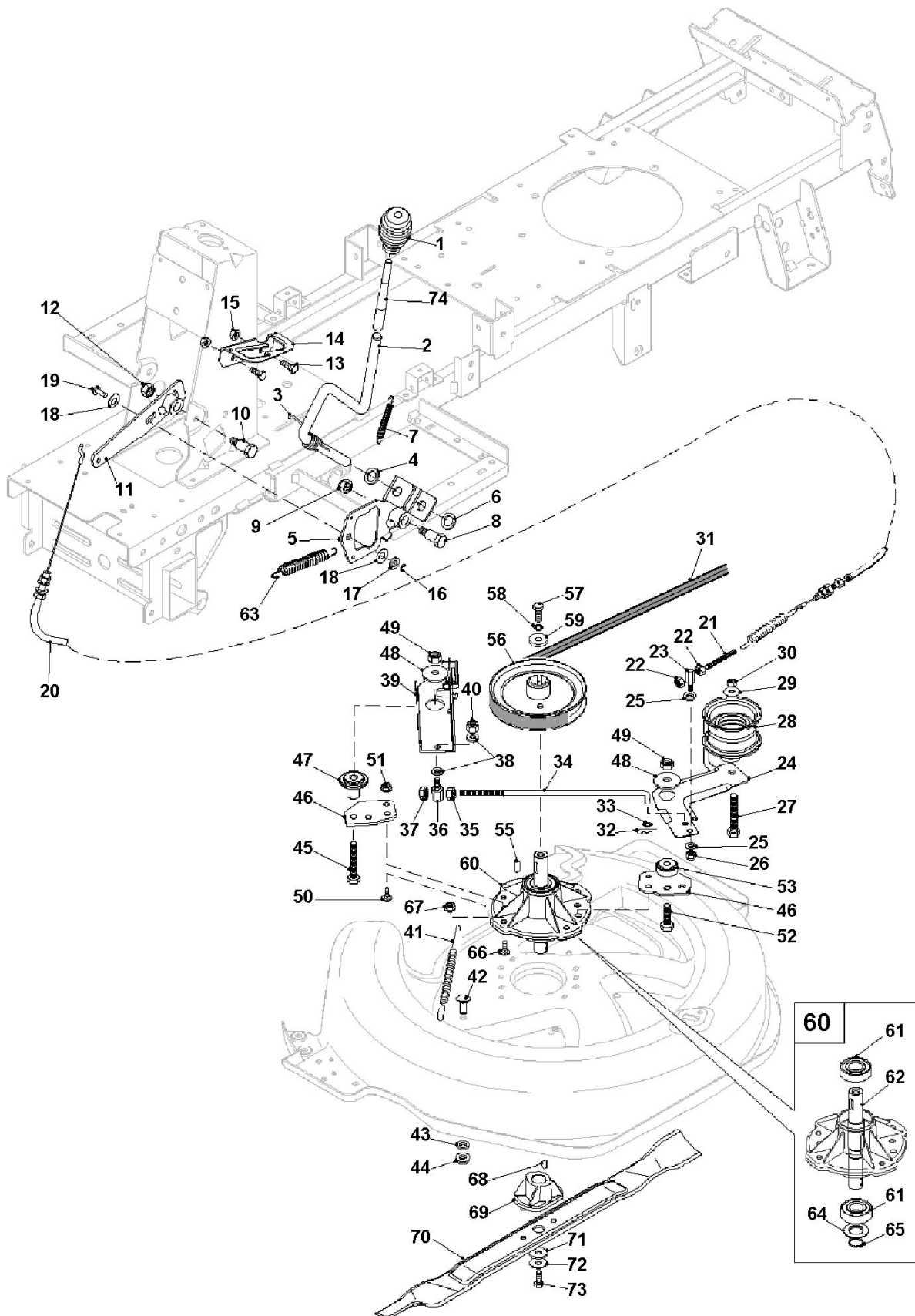
Schneidwerkzeug







		Anzahl der Artikel		Description		Note	Min. qty	Preis
1		384564114/0		CUTTING DECK NR66			1	
2		325033086/0		WASSERANSCHLUSS 2009			1	
3		119035000/0		OR RING 2009			1	
4		384650107/0		CUTTING DECK SIDE STIFFENER			1	
5		112815200/0		SCREW 2009			4	
6		112292102/0		MUTTER M6			4	

7	327488001/0	FRONT COMB ON CUTTING DECK		1
8	112735402/0	BLECHSCHRAUBE D=6x18		3
9	112818690/0	SCREW WITHOUT NUT 2009		3
10	327772175/0	-		1
11	112154210/0	MUTTER M8 SELBSTSICHERND		3
12	127294008/0	BLADE BELT GUIDE		1
13	112292102/0	MUTTER M6		4
15	127580077/0	TENSIONER BELT GUIDE		1
16	112293201/0	MUTTER		2
17	112818690/0	SCREW WITHOUT NUT 2009		4
18	327772179/0	LEFT REAR LIFT.DECK STIRRUP		1
19	327772177/0	RIGHT REAR LIFT.DECK STIRRUP		1
20	112154210/0	MUTTER M8 SELBSTSICHERND		4
21	127510121/0	DECK FRONT PLATE FULCRUM PIN		2
22	327543043/0	-		1
23	112154210/0	MUTTER M8 SELBSTSICHERND		2
24	127840056/0	FRONT TIE ROD		1
25	112293200/0	MUTTER M8 UNI 5588		4
26	112585100/0	GROWER M10 2009		2
28	384108054/0	EXIT CONVEYOR ASSY NR66		1
29	325774499/0	-		2
30	327107505/0	WAY OUT CONVEYOR		1
31	112815200/0	SCREW 2009		4
32	325160039/0	ENTFERNUNGSSTÜCK 2008		4
33	112292102/0	MUTTER M6		4
41	112818690/0	SCREW WITHOUT NUT 2009		2
42	112293200/0	MUTTER M8 UNI 5588		2
43	125394510/0	BRAKE KNOB 2009		1
44	327734063/0	DECK HIGH POS.SECTOR	Wheels Type A	1
44	327734067/0	-	Wheels Type B	1
45	327315135/0	-		1
46	127430595/0	SPRING		1
47	384001035/0	LIFT.DECK LEV.FULCR.STIRR.ASS.Y	To 31-august-2013	1
47	384001035/1	LIFT.DECK LEV.FULCR.STIRR.ASS.Y	From 01-september-2013	1
48	112521370/0	-		1
49	122020050/0	RING D=12 2009		1
50	112791400/0	HEXAG-HEAD SCREW 2009		4
51	325547231/0	PLATTE 2009		2
52	325785350/0	FEED PEDAL AXLE SUPPORT SD 98 HYDRO 2010		2
53	112154510/0	MUTTER M6 SELBSTSICHERND UNI 7474		4
54	384004600/0	LIFTING CUTT. DECK CABLE	Wheels Type A	1
54	384004605/0	LIFTING CUTT. DECK CABLE	Wheels Type B	1
55	112691100/0	HEXAG.HEAD SCREW 2009		2
56	125601579/0	PULLEY 2009		2
57	125040636/1	-		2
58	327543037/0	-		2
59	112523060/0	U-SCHEIBE 8.4x24x2		2
60	112293201/0	MUTTER		2
61	384001037/0	LIFTING DECK REAR AXLE ASS.Y		1
62	127510125/0	LEFT DECK TIE-ROD FIX PIN		1
63	322672152/0	SCHEIBE 8.2x30x0.8		1
64	112155000/0	MUTTER M8 SELBSTSICHERND		2
65	127840057/0	DECK REG. LEFT TIE-ROD		1
66	112295200/0	HEXAG. NUT 2009		4
67	112155000/0	MUTTER M8 SELBSTSICHERND		2
68	322672152/0	SCHEIBE 8.2x30x0.8		2
69	124487998/0	SPLINT D=2mm		1
70	127510114/0	DECK RIGHT FRONT COUPLING PIN 2009		1
71	325670008/1	ANTIFRICTION WASHER TC-J 2009		1
72	112521360/0	SCHEIBE 10.5x20x2		1
75	127510123/0	DECK MOVE REAR FULCRUM PIN		2
76	112521360/0	SCHEIBE 10.5x20x2		2

Hebleshaltung der Messer



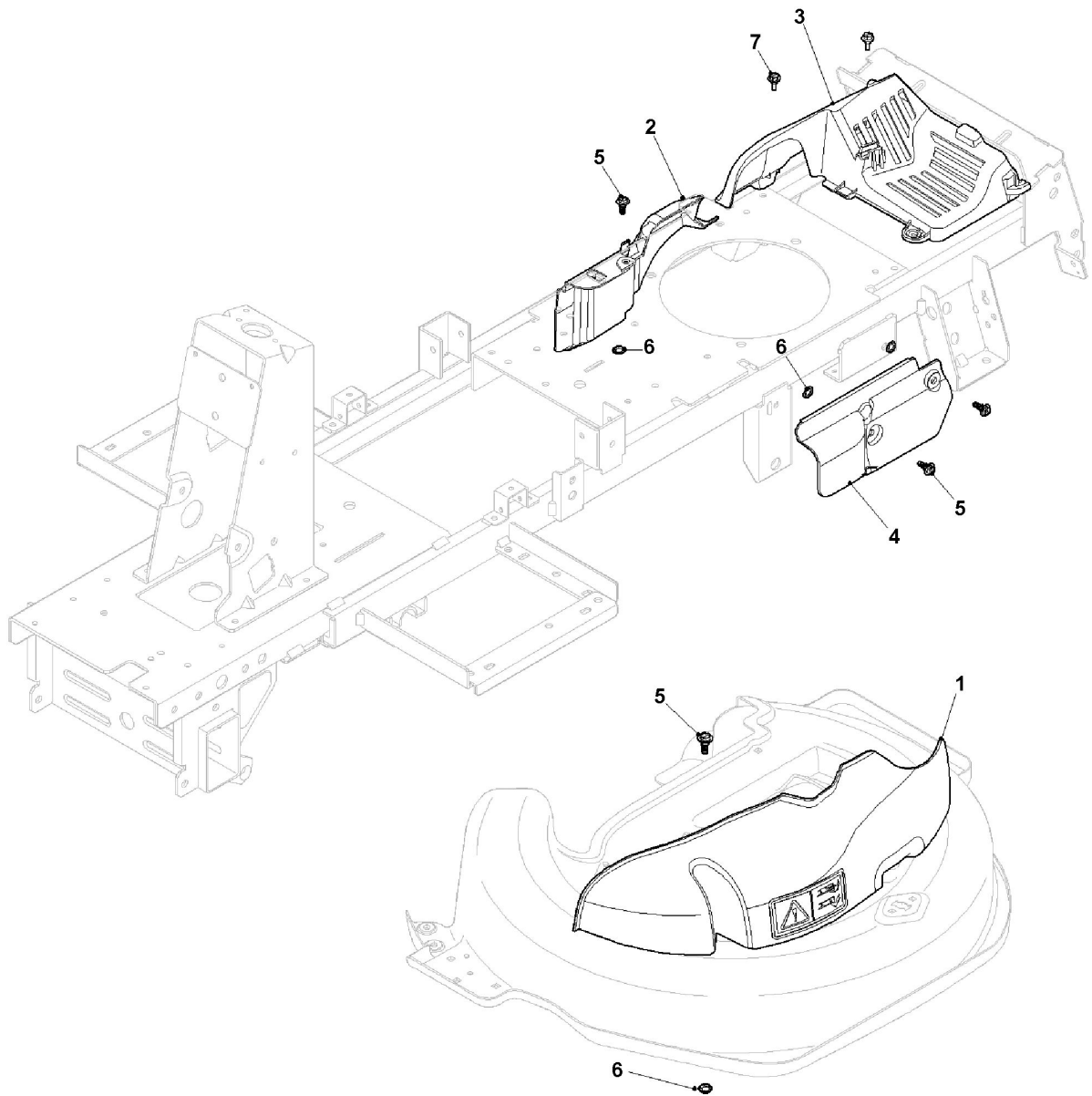
 	Anzahl der Artikel		Description		Note	Min. qty	Preis
	1		125394510/0		BRAKE KNOB 2009		1
	2		327315149/0		WZ BLADE ENG. LEVER NR66		1
	3		127430595/0		SPRING		1
	4		112521370/0		-		1
	5		384317099/0		BLADE ENG.SUPP.LEVER ASS.Y		1
	6		122020050/0		RING D=12 2009		1





7	125430208/1	FEDER		1
8	127510122/0	BLADE ENG. FULCR.STIR.PIN		1
9	112154210/0	MUTTER M8 SELBSTSICHERND		1
10	127510122/0	BLADE ENG. FULCR.STIR.PIN		1
11	384773577/0	BLADE ENG. RUN REDUCTION ASS.Y		1
12	112154210/0	MUTTER M8 SELBSTSICHERND		1
13	112815200/0	SCREW 2009		2
14	327734065/0	BLADE ENG. LEVER POS.SECTOR		1
15	112292102/0	MUTTER M6		2
16	112000930/0	SICHERUNGSRING D=6		1
17	112521350/0	U-SCHEIBE 8.4x16x1.6		1
18	325670011/0	SCHEIBE 2009		2
19	125510085/1	-		1
20	384004606/0	BLADE ENGAGEMENT CABLE ASS.Y		1
21	127840058/0	Spannstange	To 31-august-2013	1
21	127840058/1	-	From 01-september-2013	1
22	112293200/0	MUTTER M8 UNI 5588		2
23	127510126/0	BRAKE ROD		1
24	384307001/0	BLADE ENG. TENSIONER		1
25	325670011/0	SCHEIBE 2009		2
26	112155000/0	MUTTER M8 SELBSTSICHERND		1
27	112691600/0	HEXAG-HEAD SCREW 2009		1
28	127604008/0	BLADE ENG. MOBILE PULLEY F 72 2009		1
29	112523060/0	U-SCHEIBE 8.4x24x2		1
30	112155000/0	MUTTER M8 SELBSTSICHERND		1
31	135061428/0	-		1
32	124487995/0	-		1
33	325670011/0	SCHEIBE 2009		1
34	127034085/0	BRAKE BLADE PLATE LINK ROD		1
35	112293200/0	MUTTER M8 UNI 5588		1
36	127510126/0	BRAKE ROD		1
37	112155000/0	MUTTER M8 SELBSTSICHERND		1
38	325670011/0	SCHEIBE 2009		2
39	384220505/0	BLADE BRAKE ASS.Y		1
40	112155000/0	MUTTER M8 SELBSTSICHERND		1
41	127430592/0	BLADE BRAKE SPRING		1
42	112818690/0	SCREW WITHOUT NUT 2009		1
43	112521350/0	U-SCHEIBE 8.4x16x1.6		1
44	112293201/0	MUTTER		1
45	112692395/1	-		1
46	327772191/0	-		2
47	127047021/0	BLADE BRAKE SUPPORT BUSH		1
48	112523090/0	U-SCHEIBE 11x40x2.5		2
49	112155020/0	NUT 2009		2
50	112818700/0	HOLMSCHRAUBE MIT VIERKANT M8x25 8.8		4
51	112154210/0	MUTTER M8 SELBSTSICHERND		4
52	112794400/0	SCREW HEXAGONAL HEAD 2009		1
53	127047017/0	BLADE PULLEY SUPPORT BUSH		1
55	112139480/0	KEIL 6x6x20mm UNI 6604		1
56	127604014/0	BLADE SHAFT PULLEY		1
57	112793102/0	SECHSKANTSCHRAUBE M8x20 8.8		1
58	112583500/0	FEDERRING M8		1
59	125670007/0	SCHEIBE TC		1
60	384207251/0	BLADE SHAFT FLANGE ASS.Y		1
61	119216040/0	Kugellager		2
62	127023003/0	BLADE SHAFT		1
63	125430259/0	FEDER 2009		1
64	325160501/0	STAUBSCHUTZSCHEIBE MESSERWELLE		1
65	112609260/0	SEEGERRING D=20		1
66	112818700/0	HOLMSCHRAUBE MIT VIERKANT M8x25 8.8		4
67	112154210/0	MUTTER M8 SELBSTSICHERND		4
68	112139100/0	KIEL ANTRIEBSWELLE 4x6.5 D=16mm		1

69	125463200/0	MESSERHALTER F 72 - TCX 122(H) D=25mm	1
70	184109505/0	WINGED BLADE	1
71	112508125/0	SPRING WASHER	1
72	112523080/0	U-SCHEIBE 11x30x2.5 UNI 6593	1
73	112735694/0	MESSERSCHRAUBE 3/8x1 1/2 RECHTSGEWINDE	1
74	327315151/0	LEVER EXTENSION	1
74	327315151/1	LEVER EXTENSION	1



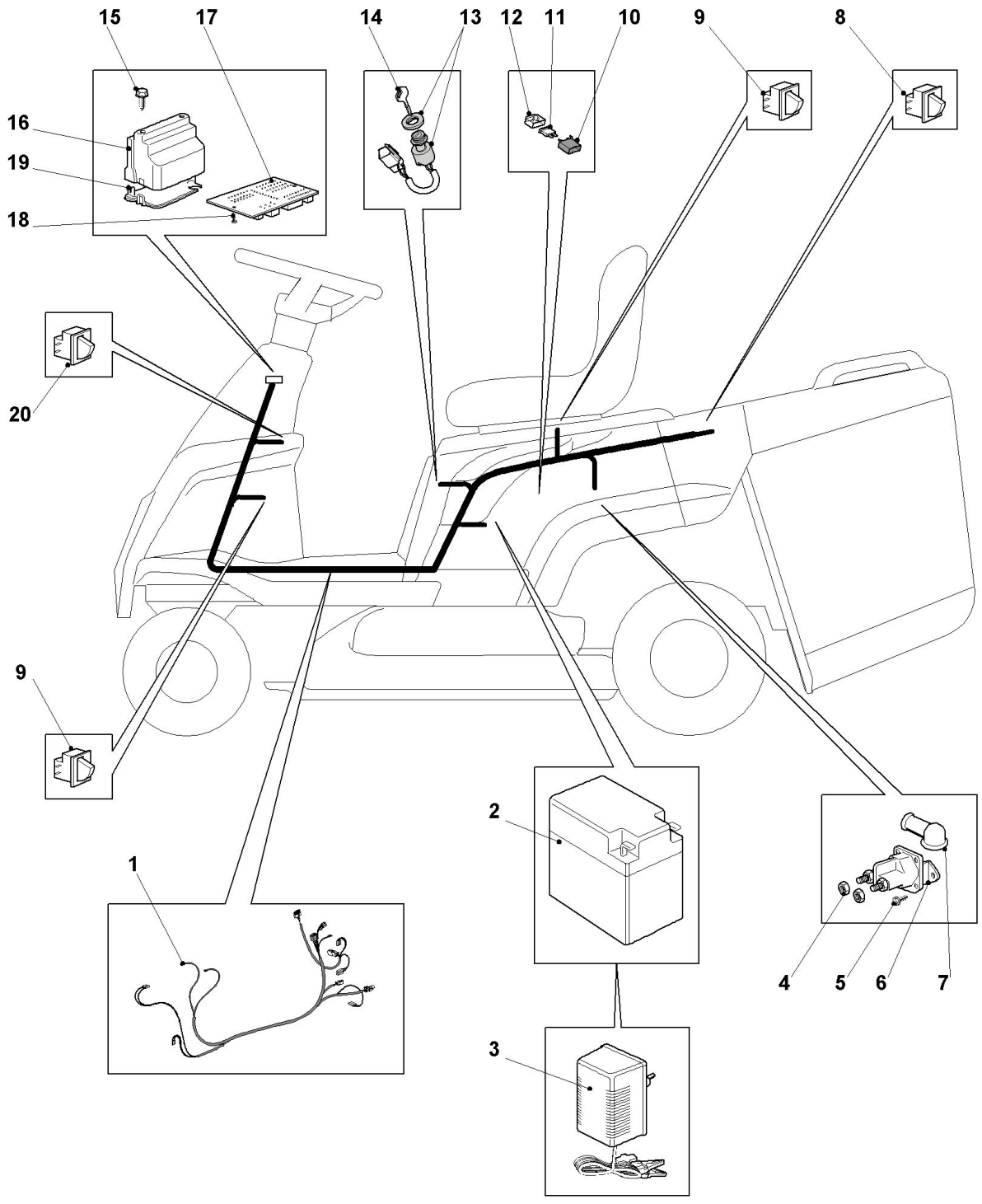
Schutzen







 	Anzahl der Artikel		Description		Note	Min. qty	Preis
1	327060111/0		DECK PROTECTION COVE		To 31-august-2013	1	
1	327060111/1		DECK PROTECTION COVE		From 01-september-2013	1	
2	327060109/0		RIGHT SAFETY COVER			1	
3	327060108/0		TRANSMISSION COVER		To 31-august-2013	1	
3	327060108/1		TRANSMISSION COVER		From 01-september-2013	1	
4	327060110/0		LEFT SAFETY COVER			1	
5	125943011/0		-			5	
6	112604899/0		WASHER 2009			4	
7	125943010/0		SCREW 2009			2	
8	112604897/0		WASHER 2009			1	
9	125040636/1		-			1	



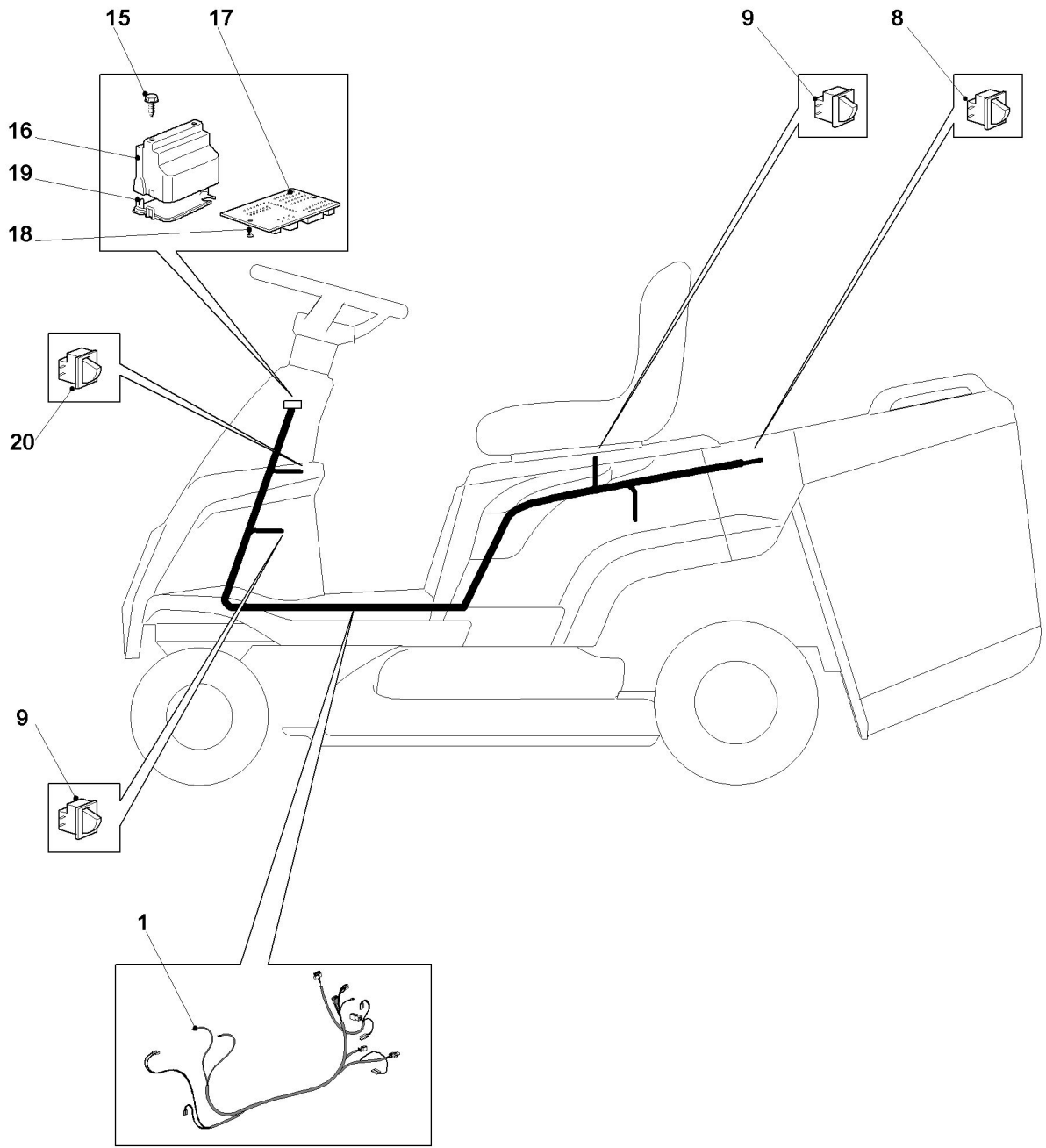
Eletrischeile







	 	Anzahl der Artikel		Description		Note	Min. qty	Preis
1		184040132/0		COMPLETE HARNESS		To 31-august-2013	1	
2		118120012/0		BATTERY WITH CABLE			1	
3		182180051/0		LADEGERÄT 230 VOLT/0.2 AMPERE EL/V 63(M)		CE plug	1	
3		182180053/0		BATTERY-CHARG. KIT 0,2A CB02 U 2009		UK plug	1	
4		112360352/0		MUTTER 5/16-24, 71042 2009			2	
5		112735110/0		SECHSKANTSCHRAUBE M10x20 10.9			2	
6		118736110/0		MAGNETSCHALTER TC 102/122(H)			1	
7		118564861/1		COVER 2009			2	
8		119410618/0		MICROSWITCH			1	
9		119410606/0		Mikroschalter		From 01-september-2013	2	
9		119410613/0		KONTAKTSCHALTER		To 31-august-2013	2	
10		133500007/0		SICHERUNGSHALTER 2009			1	
11		133340040/0		-			1	
12		133215000/0		SICHERUNGSABDECKUNG			1	
13		118450075/1		STARTING SWITCH			1	
14		118210023/0		KEYS STARTING SWITCH ASSY 2009			1	
15		112728523/0		SCHRAUBE 2009		To 31-august-2013	2	
15		112728711/0		-		From 01-september-2013	2	
16		127600119/0		ELECTRONIS CARD UPPER PROTECTI 2009			1	
17		127722354/0		PLATINE EL/ELV 63 ELEKTROSTART		To 31-august-2013	1	
17		127722354/1		ELECTRONIC CARD		From 01-september-2013	1	
18		112729601/1		SCHRAUBE 5.5x16			2	
19		127600118/0		ELECTRONIC CARD LOWER PROTECTI 2009			1	
20		119410614/0		-			1	



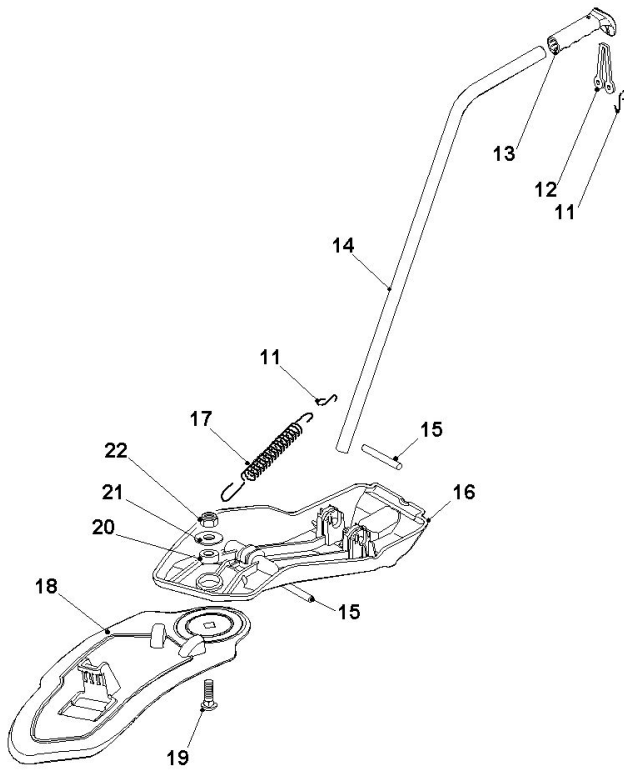
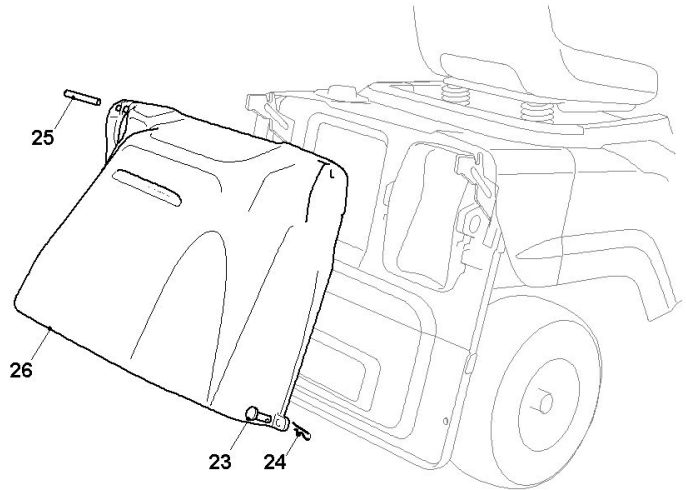
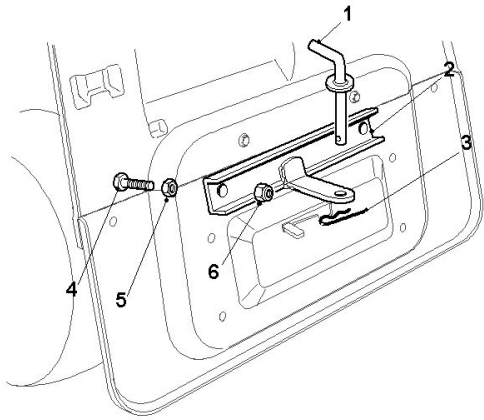
Eletrischeile







 	Anzahl der Artikel		Description		Note	Min. qty	Preis
1	184040133/0		COMPLETE HARNESS			1	
8	119410618/0		MICROSWITCH			1	
9	119410606/0		Mikroschalter		From 01-september-2013	2	
9	119410613/0		KONTAKTSCHALTER		To 31-august-2013	2	
15	112728523/0		SCHRAUBE 2009		To 31-august-2013	2	
15	112728711/0		-		From 01-september-2013	2	
16	127600119/0		ELECTRONIS CARD UPPER PROTECTI 2009			1	
17	127722357/0		-			1	
18	112729601/1		SCHRAUBE 5.5x16			2	
19	127600118/0		ELECTRONIC CARD LOWER PROTECTI 2009			1	
20	119410614/0		-			1	



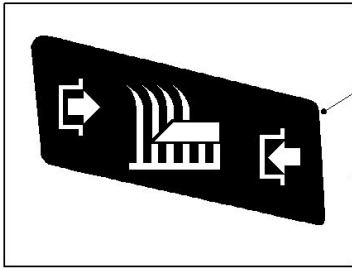
Zubehoere Nach Anfrage



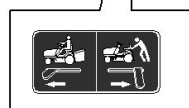
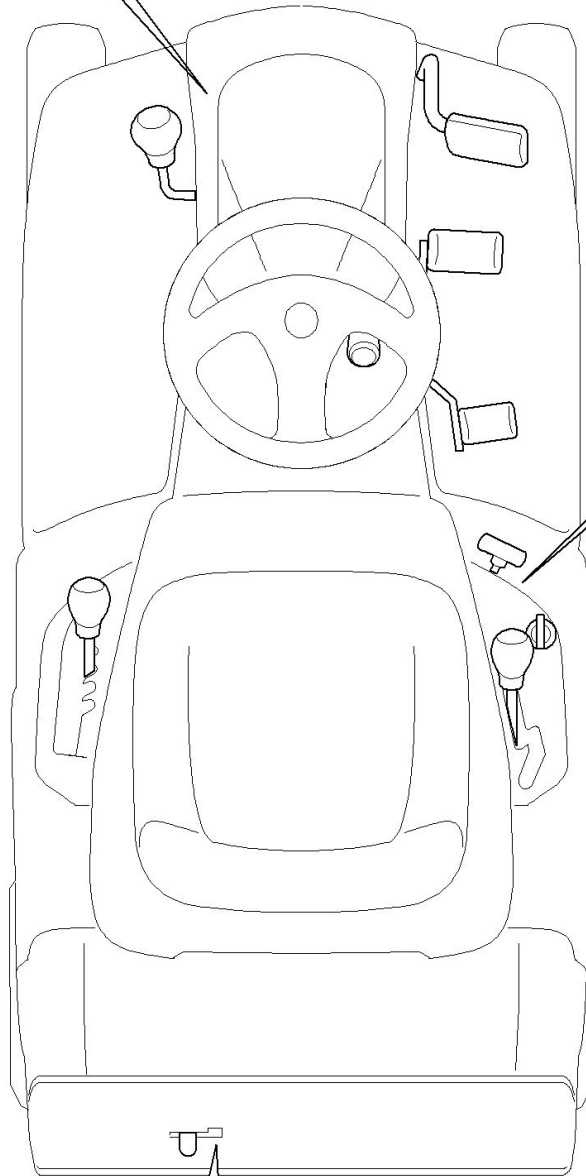
	 	Anzahl der Artikel		Description		Min. qty	Preis
1		125510021/1		HITCH PIN TCJ/TC 2009		1	
2		382033109/0		ZUGSTANGE 2009		1	
3		124487999/0		SPLINT D=3mm		1	
4		112794300/0		Schraube		2	
5		112295200/0		HEXAG. NUT 2009		2	
6		112156602/0		SELF-LOCKING NUT 2009		2	
11		125253004/0		MULCHKITHAKEN		3	
12		125840011/1		GUMMIHALTERUNG MULCHSTOPFEN		1	
13		325280000/1		HANDGRIFF		1	
14		327394003/2		MULCHING DEFLECTOR HANDLE F 72 2009		1	
15		127510116/0		DEFLEKTORBOLZEN F 72		2	
16		327140058/0		MULCHING DEFLECTOR - REAR PART		1	
17		125430218/1		FEDER		1	
18		327140057/0		MULCHING DEFLECTOR - FRONT PART		1	
19		112818700/0		HOLMSCHRAUBE MIT VIERKANT M8x25 8.8		1	
20		127047013/0		MULCHING DEFLECTOR BUSH F 72 2009		1	
21		322672152/0		SCHEIBE 8.2x30x0.8		1	
22		112155000/0		MUTTER M8 SELBSTSICHERND		1	
23		125510022/1		-		2	
24		124487998/0		SPLINT D=2mm		2	
25		127510127/0		-		2	
26		327600181/0		-		1	



Klebzettel



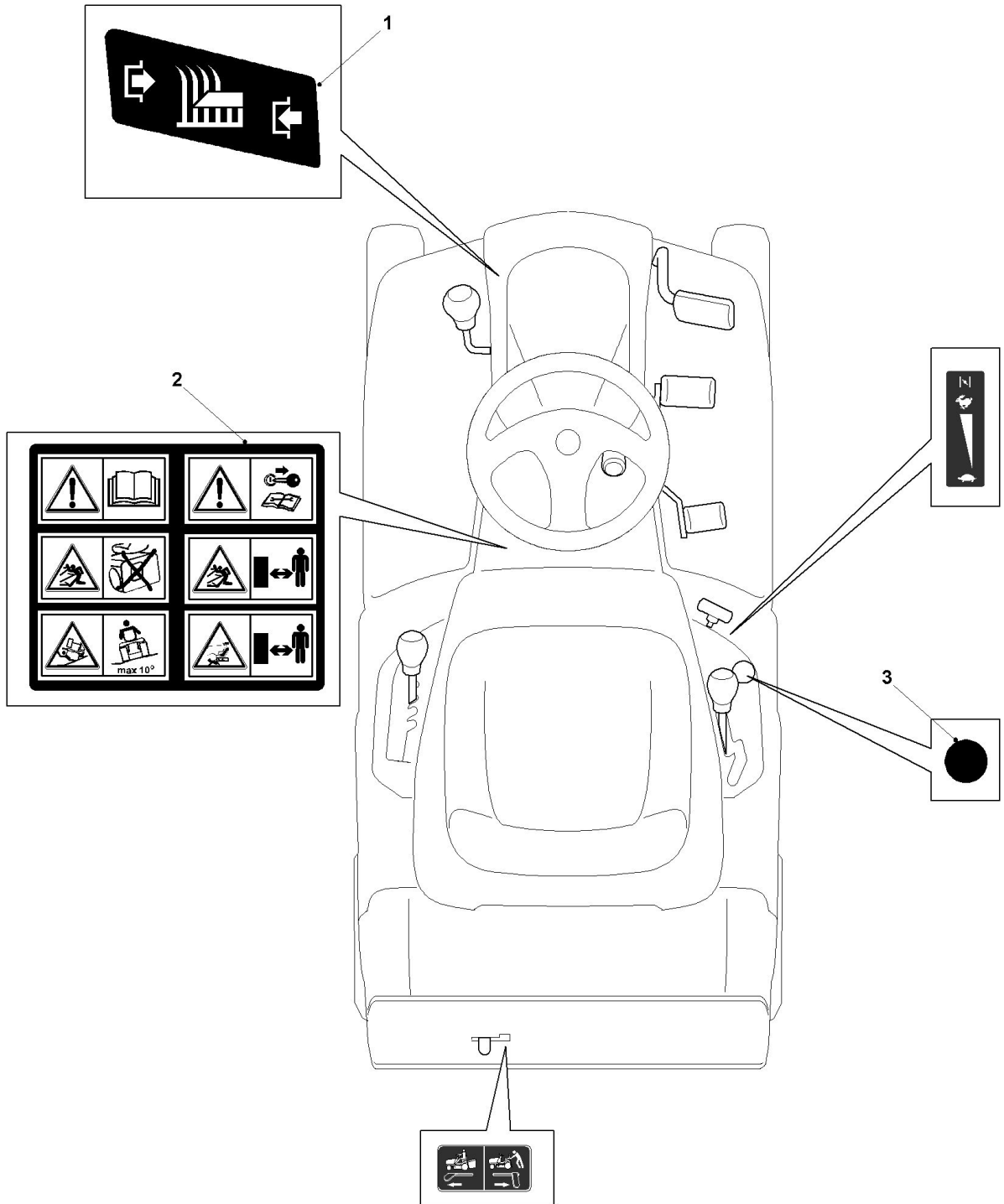
1



	Anzahl der Artikel	Description	Min. qty	Preis
1	114366875/0	BLADE ENGAGEMENT LABEL	1	



Klebzettel





Anzahl der Artikel



Description



Min. qty

Preis

1	114366875/0	BLADE ENGAGEMENT LABEL	1	
2	114358809/1	KLEBZETTEL	1	
3	118801364/0	-	1	