

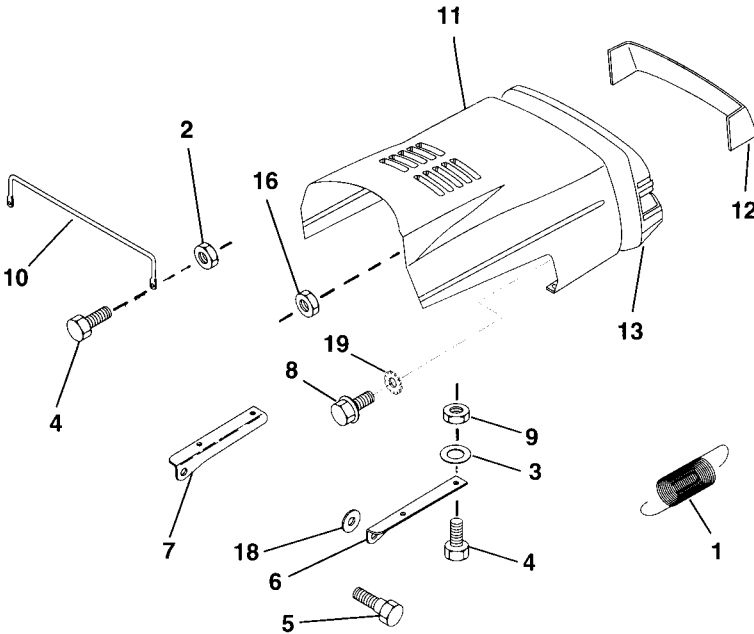
Prod.No: 954 00 13-41

Engine: B & S 28C707 Type: 0136 Trim: 01

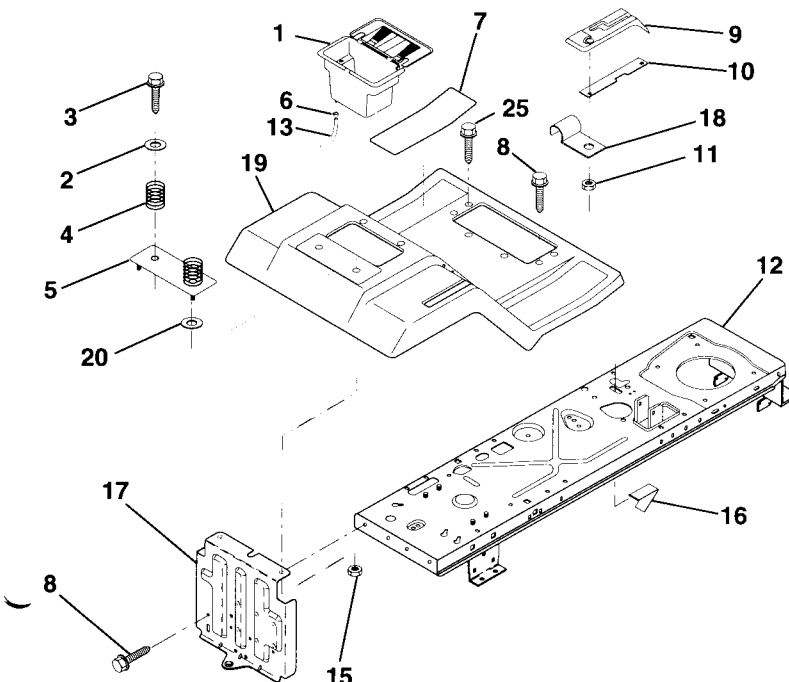
Transaxle: Peerless 930-008

SPAREPARTS

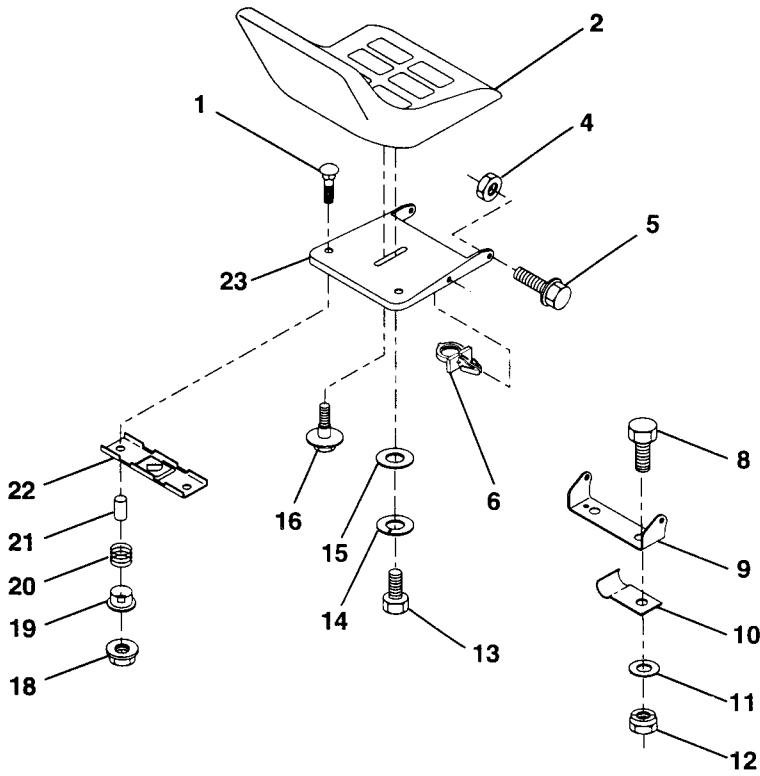
107 25 06-66



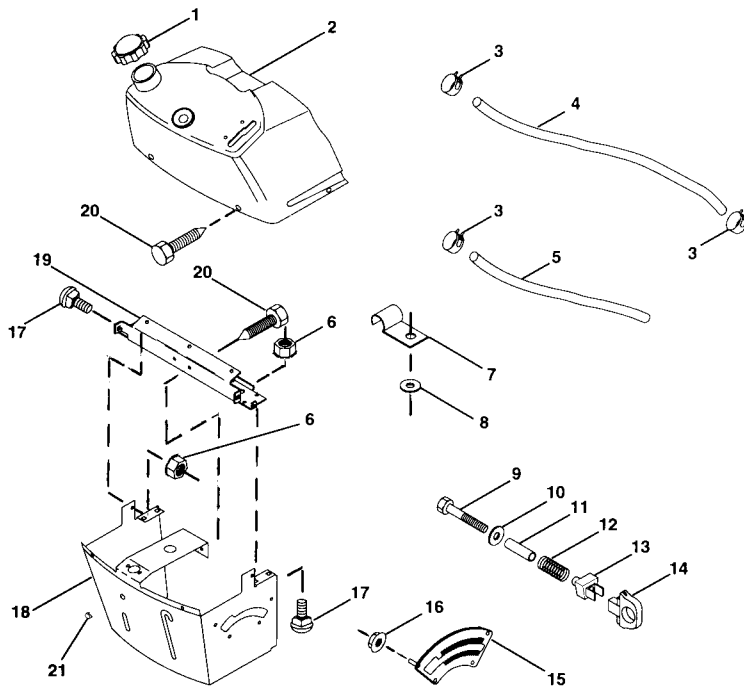
Key No.	Part No.	Description
1	532 12 46-57	Extension, Spring
2	873 22 04-00	Nut, Hex, Keps 1/4-20
3	819 09 14-16	Washer, 9/32 x 7/8 x 16 Ga.
4	874 76 04-12	Bolt, Hex Fin. 1/4-20 x 3/4 Gr. 5
5	532 13 98-88	Bolt, Shoulder
6	532 12 25-49	Bracket, Hood R. H.
7	532 12 25-48	Bracket, Hood L.H.
8	817 52 13-12	Screw Sltd. Hex Hd. w/PL Washer
9	873 68 04-00	Nut Lock w/Insert 1/4-20 UNC
10	532 12 36-93	Brace, Hood
11	532 14 43-43	Hood
12	532 14 01-26	Lens, Plate, Grill
13	532 14 01-10	Grill
16	532 12 43-46	Nut, Self Thread, Washer Head 1/4
18	734 11 63-01	Washer 11/32 x 11/16 x 16 Ga.
19	810 04 04-00	Washer Lock Ext. 1/4



Key No.	Part No.	Description
1	532 12 99-65	Case, Battery
2	734 11 74-41	Washer 13/32 x 1-1/4 x 12 Ga.
3	874 78 06-12	Screw, Hex Wsh. Thrdrol. 3/8-16 x 3/4
4	532 12 41-81	Spring, Compression, Seat
5	532 12 71-15	Plate, Asm. Battery
6	532 10 95-96	Clamp, Hose
7	532 12 41-44	Pad, Footrest
8	874 78 05-12	Screw, Hex Wsh. Thrdrol. 5/16-18 x 3/4
9	532 12 69-93	Console, Shift Control
10	532 13 97-83	Bar, Shift Lock
11	532 12 43-46	Nut, Self-Thd Washer Head 3/16
12	532 14 51-90	Assembly, Frame
13	532 10 92-38	Tube, Battery Drain
15	873 22 04-00	Nut, Keps 1/4-20 UNC
16	532 14 17-36	Switch Actuator
17	532 14 07-82	Drawbar
18	532 12 64-70	Clip, Insulated
19	532 14 12-66	Fender/Footrest
20	819 09 14-13	Washer 9/32 x 7/8 x 13 Ga.
25	817 49 05-16	Screw Hex Wsh. Thdr. 5/16-18 x 1

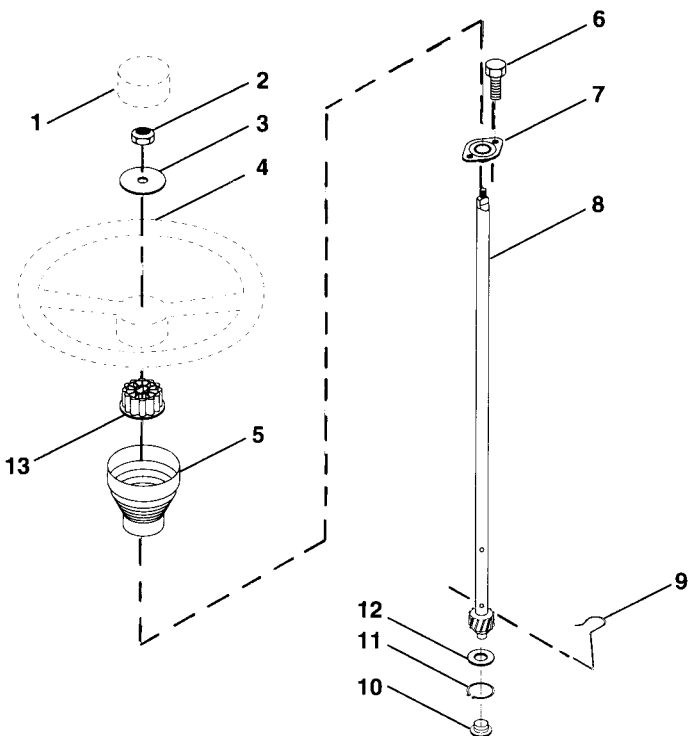


Key No.	Part No.	Description
1	872 05 04-11	Bolt, Carriage 1/4-20 x 1-1/4
2	532 12 74-27	Seat
4	873 80 05-00	Nut, Lock Hex w/Wsh 5/16-18
5	532 13 98-88	Bolt, Shoulder 5/16-18 UNC
6	532 14 50-06	Clip, Push-in
8	874 78 06-16	Bolt, Fin Hex 3/8-16 UNC x 1
9	532 14 05-51	Bracket, Pivot Seat
10	532 12 64-71	Clip Insulator
11	819 13 32-10	Washer 12/32 x 2 x 10 Ga.
12	873 68 06-00	Nut, Lock Hex w/Ins. 3/8-16 UNC
13	874 78 08-14	Bolt, Fin Hex 1/2-13 UNC x 7/8 Gr. 5
14	810 04 08-00	Washer, Lock Hvy Helical Spring
15	819 17 19-12	Washer, 17/32 x 1-3/16 x 12 Ga.
16	532 12 70-18	Bolt, Shoulder
18	873 68 04-00	Nut, Hex Large Flange Lock
19	532 12 12-48	Bushing, Snap
20	532 12 12-50	Spring, Compression
21	532 13 43-00	Spacer, Split 28 Id. x .88 Lg.
22	532 12 12-46	Bracket, Switch, Mounting
23	532 14 05-52	Pan, Seat

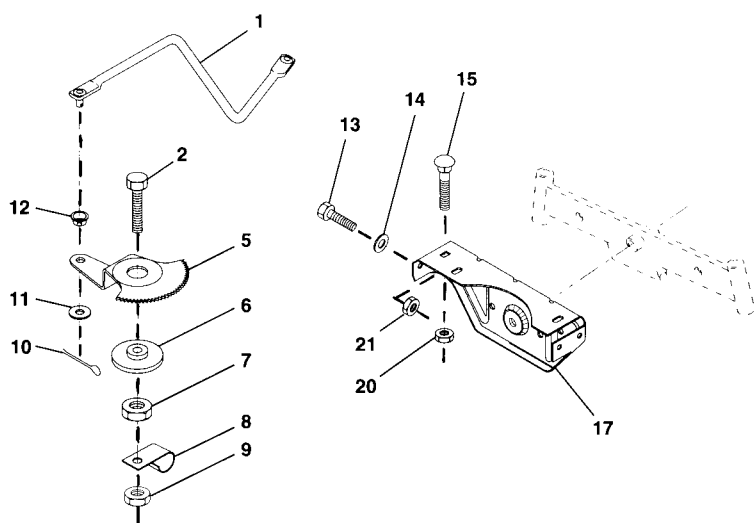


Key No.	Part No.	Description
1	532 14 15-23	Cap, Fuel
2	532 13 83-92	Assembly, Dash & Fuel Tank
3	532 12 34-87	Clamp, Hose
4	532 00 02-95	Line, Fuel
5	532 00 85-48	Line, Fuel
6	873 68 04-00	Nut, Hex, Keps 1/4-20
7	532 12 49-96	Clip, Fuel Line
8	819 09 12-16	Washer 9/32 x 3/4 x 16 Ga.
9	874 76 04-28	Bolt, Hex, Fin 1/4-20 x 1-3/4
10	819 09 14-16	Washer 11/32 x 11/16 x 16 Ga.
11	532 12 12 49	Spacer, Split
12	532 00 37-20	Spring
13	532 12 64-50	Clip, Height Adjustment
14	532 12 61-15	Knob, Height Stop
15	532 12 20-23	Adjustment, Quadrant Height
16	532 12 43-46	Nut, Self-Threading 3/16-18
17	872 11 04-04	Bolt, Carriage 1/4-20 x 1/2 Gr. 5
18	532 13 07-45	Support Assembly, Dash
19	532 13 47-44	Brace, Cross
20	817 06 04-08	Screw, Self-Tapping 1/4-20 x 1/2
21	532 13 40-14	Plug, Dome

HARDWARE SHOWN LARGER FOR EASIER IDENTIFICATION

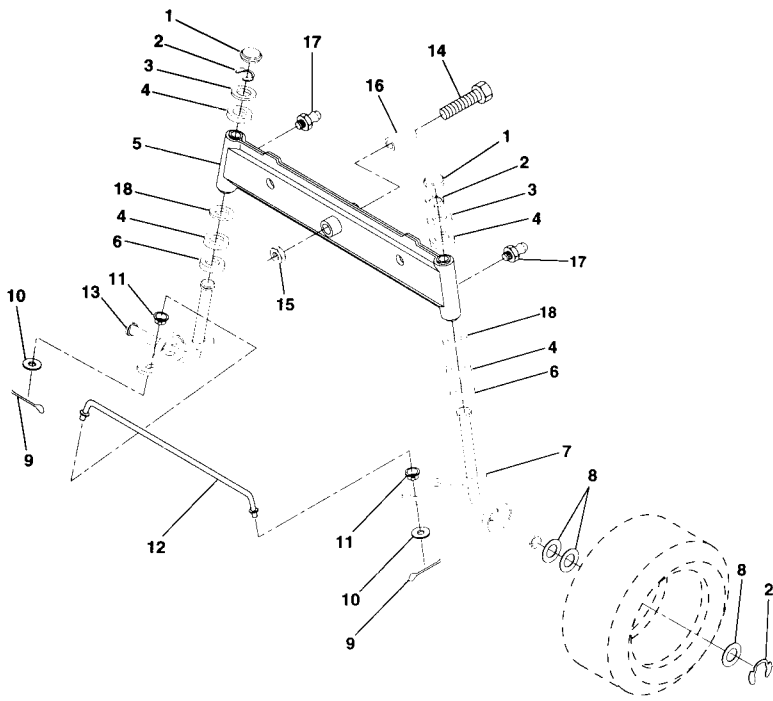


Key No.	Part No.	Description
1	532 12 68-05	Insert, Wheel, Steering
2	873 61 06-00	Nut, Lock 3/8-24 UNF
3	819 13 38-08	Washer 12/32 x 2-3/8 x 8 Ga.
4	532 13 97-68	Wheel, Steering
5	532 12 18-97	Sleeve, Steering
6	817 21 10-08	Screw, Hex #10-16 x 1/2 TY-B
7	532 10 28-03	Bushing, Steering
8	532 12 36-51	Shaft, Steering
9	532 12 42-10	Clip, Steering
10	532 12 34-38	Bushing, Lower, Steering
11	812 00 00-45	Ring, Retaining
12	734 11 85-71	Washer 21/32 x 1 x 16 Ga.
13	532 10 48-20	Adaptor, Wheel, Steering

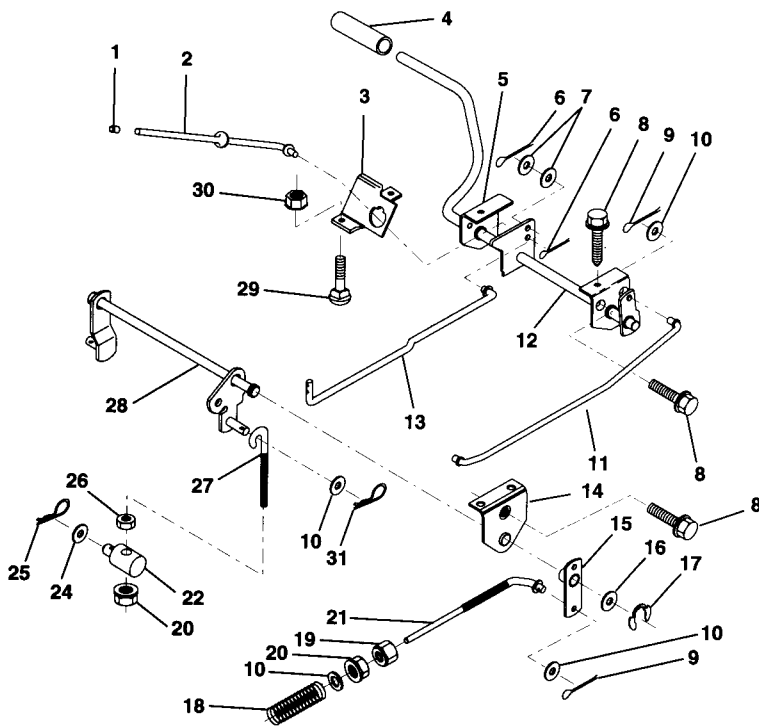


Key No.	Part No.	Description
1	532 13 25-66	Link, Drag
2	874 78 08-28	Bolt, Fin Hex 1/2-13 x 1-3/4
5	532 12 19-26	Gear, Sector
6	532 12 19-27	Bushing
7	873 68 08-00	Nut, Heavy Hex Top Lock 1/2-13 UNC
8	532 12 64-72	Clip, Insulated
9	873 68 06-00	Nut, Crownlock 3/8-16
10	876 02 04-12	Pin, Cotter 1/8 x 3/4
11	734 11 72-01	Washer, 13/32 x 13/16 x 16 Ga.
12	532 12 68-47	Bushing
13	874 78 05-12	Bolt, Hex Hd. 5/16-18 UNC x 3/4
14	734 11 65-41	Washer 11/32 x 7/8 x 16 Ga.
15	872 11 06-06	Bolt, Carriage 3/8-16 UNC x 3/4
17	532 13 70-96	Support, Front Axle
20	873 68 06-00	Nut, Crownlock 3/8-16 UNC
21	873 68 05-00	Nut, Crownlock 5/16-18

HARDWARE SHOWN LARGER FOR EASIER IDENTIFICATION

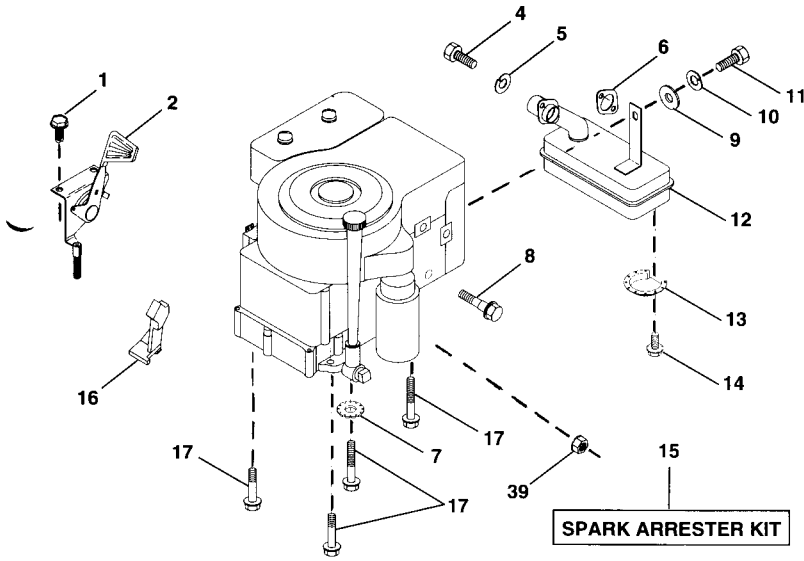


Key No.	Part No.	Description
1	532 12 12-32	Cap, Spindle
2	812 00 00-29	Ring, Clip
3	532 12 17-48	Washer 25/32 x 1-5/8 x 16 Ga.
4	532 00 33-66	Bearing Col. Strg.
5	532 14 20-33	Axle, Front
6	532 00 62-66	Bearing, Thrust
7	532 13 70-62	Spindle, R.H. Asm.
8	532 12 17-49	Washer 25/32 x 1-1/4 x 16 Ga.
9	876 02 04-12	Pin, Cotter 1/8 x 3/4
10	734 11 72-01	Washer 13/32 x 13/16 x 16 Ga.
11	532 12 68-47	Bushing
12	532 13 04-65	Rod, Tie
13	532 13 70-61	Spindle, L.H. Asm.
14	874 01 10-56	Bolt Hex 5/8-11 UNC x 3-1/2
15	873 68 10-00	Nut Lock Flange 5/8-11
16	532 11 04-38	Spacer Bearing
17	532 12 48-36	Fitting Grease
18	819 27 20-16	Washer 27/32 x 1-1/4 x 16 Ga.

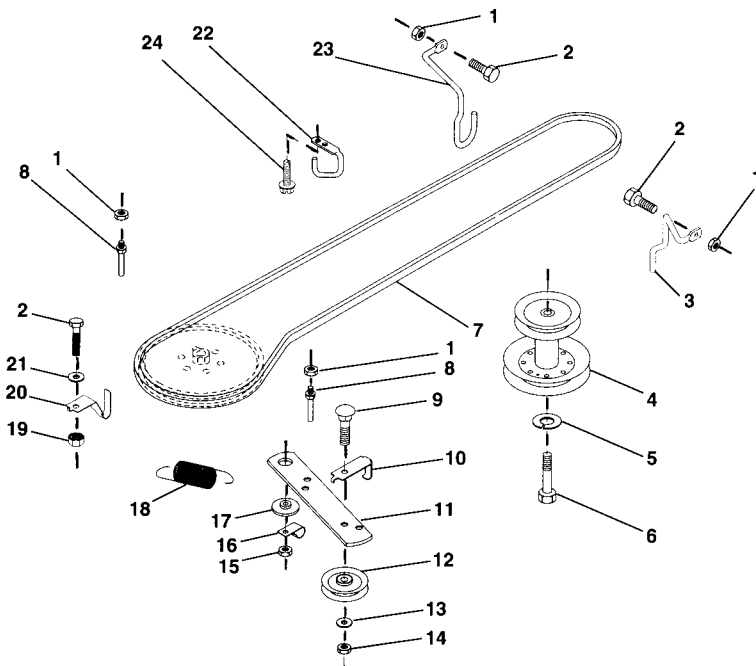


Key No.	Part No.	Description
1	532 07 16-73	Cap, Plunger
2	532 12 34-36	Rod, Parking Brake
3	532 12 34-37	Bracket, Parking Brake
4	532 00 81-56	Cover, Pedal
5	532 12 25-04	Bracket, Clutch Pedal, LH
6	876 02 03-12	Pin, Cotter 3/32 x 3/4
7	734 11 71-71	Washer 13/32 x 5/8 x 16 Ga.
8	817 49 05-08	Screw, Hex, Thd. Roll. 5/16-18 x 1/2
9	876 02 04-12	Pin, Cotter 1/8 x 3/4
10	734 11 72-01	Washer 13/32 x 13/16 x 16 Ga.
11	532 12 35-43	Rod, Brake Front
12	532 13 99-33	Assembly, Clutch/Brake Pedal
13	532 12 33-94	Rod, Clutch
14	532 12 19-78	Bracket, Lift, Shaft
15	532 13 33-32	Assembly, Brake, Pivot, Arm
16	819 25 18-16	Washer 25/32 x 1-1/8 x 16 Ga.
17	812 00 00-34	Ring, Klip
18	532 10 68-88	Spring, Brake Rod
19	873 22 06-00	Nut, Hex, Jam 3/8-16 UNC
20	873 68 06-00	Nut, Crownlock 3/8-16 UNC
21	532 13 14-60	Rod, Rear Brake
22	532 14 45-85	Trunnion, Lift
24	734 11 74-41	Washer 13/32 x 1-1/4 x 12 Ga.
25	532 00 49-21	Spring, Retainer
26	873 68 06-00	Nut, Centerlock 3/8-16 UNC
27	532 12 73-69	Link, Threaded
28	532 14 07-76	Assembly, Rear Mower Lift
29	872 11 05-06	Bolt, Carriage 5/16-18 UNC x 3/4
30	873 68 05-00	Nut, Keps 5/16-16 UNC
31	532 12 46-60	Retainer Spring

HARDWARE SHOWN LARGER FOR EASIER IDENTIFICATION

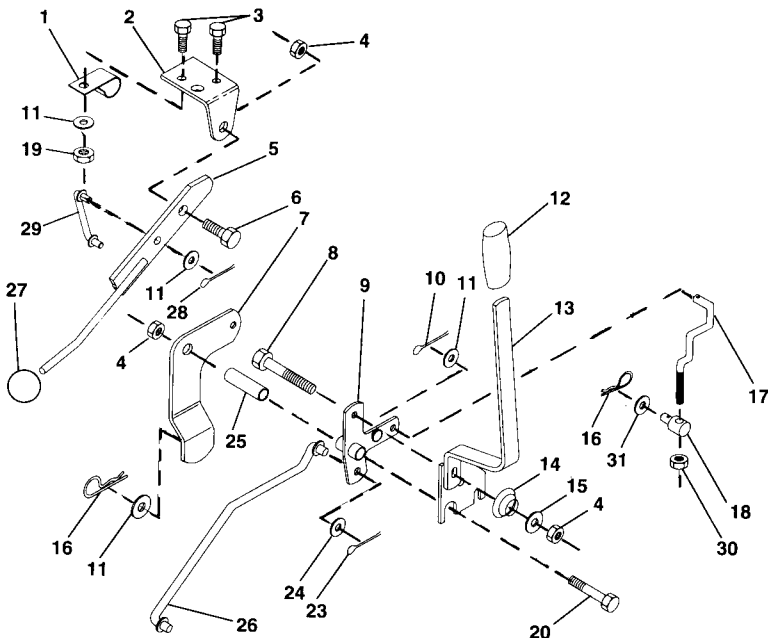


Key No.	Part No.	Description
1	817 06 04-08	Screw, Hex Thd. Cut 1/4-20 x 1/2
2	532 13 30-25	Control, Throttle
4	871 07 05-12	Bolt, Hex Head Phillips
5	810 04 05-00	Washer, Lock Heavy Helical Spring 5/16
6	532 12 55-93	Gasket, Exhaust
7	810 04 06-00	Washer Lock Ext. Tooth 3/8
8	532 12 10-94	Bolt, Shoulder 5/16
9	819 11 54-41	Washer 5/16 x 3/4 x 16 Ga.
10	810 04 04-00	Washer, Lock Hvy. Helical 1/4
11	874 78 04-16	Bolt, Fin Hex 1/4-20 x 1
12	532 13 74-37	Muffler
13	532 10 13-26	Deflector, Muffler
14	817 03 08-08	Screw, Spiderloc
15	532 13 71-80	Arrester, Spark (Optional equipment)
16	532 12 79-51	Stop, Throttle
17	874 78 06-24	Screw, Hex Wsh Hd Thdrol 3/8-16 x 1-1/2
39	873 68 04-00	Nut, Keps Hex 1/4-20

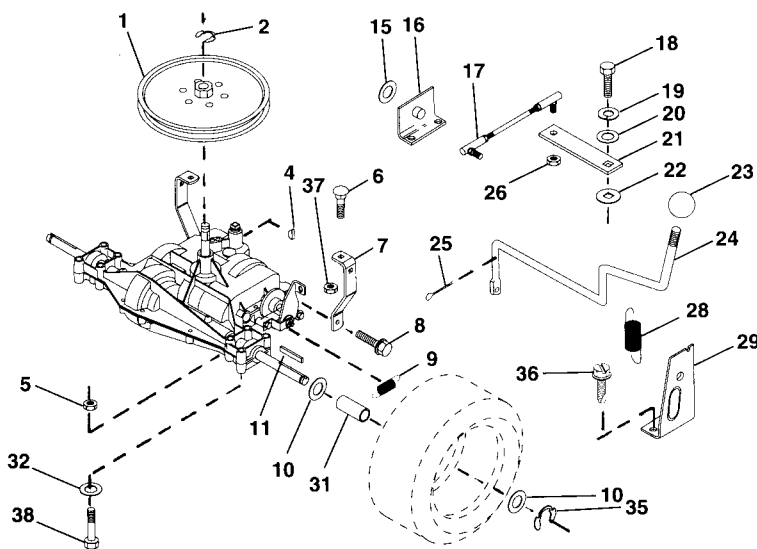


Key No.	Part No.	Description
1	873 68 05-00	Nut, Crownlock 5/16-18
2	874 78 05-12	Bolt, Hex Hd 5/16-18 UNC x 3/4
3	532 14 13-42	Keeper, Mower Drive, R. H.
4	532 13 80-29	Pulley, Engine
5	810 04 07-00	Washer, Lock 7/16
6	871 17 07-44	Bolt, Fin. Hex 7/16-20
7	532 12 65-20	Traction, V-Belt Drive
8	532 12 34-05	Keeper, T/A Ground Drive Belt
9	872 14 06-12	Bolt, Carr. 3/8-16 UNC x 1-1/2
10	532 12 33-96	Keeper, Belt Ground Drive Idler
11	532 14 09-11	Arm, Ground Drive Clutch
12	532 12 36-74	Idler, Flat
13	734 11 72-01	Washer 13/32 x 13/16 x 16 Ga.
14	873 68 06-00	Nut, Centerlock 3/8-16 UNC
15	873 68 06-00	Nut, Crownlock 3/8-16 UNC
16	532 12 64-71	Clip, Insulated
17	532 12 20-52	Spacer, Retainer
18	532 13 14-59	Spring Extension
19	873 68 05-00	Nut, Keps 5/16-18 UNC
20	532 13 99-19	Keeper, T/A Ground Drive Belt
21	734 11 63-01	Washer 11/32 x 5/8 x 16 Ga.
22	532 12 34-04	Keeper, Frame Ground Drive Belt
23	532 14 09-16	Keeper, Mower Drive, L. H.
24	874 78 04-08	Screw, Thd. Cut. 1/4-20 x 1/2

HARDWARE SHOWN LARGER FOR EASIER IDENTIFICATION

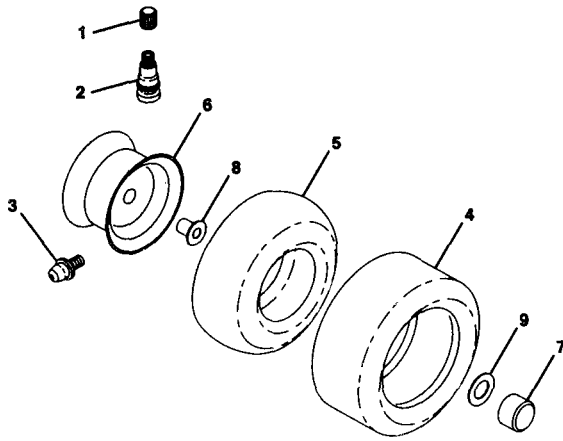


Key No.	Part No.	Description
1	532 12 64-70	Clip, Insulated
2	532 12 20-18	Bracket, Mower Clutch
3	874 78 04-08	Bolt, Fin. Hex 1/4-20 UNCx1/2 Gr.5
4	873 68 06-00	Nut, Crownlock 3/8-16 UNC
5	532 14 51-87	Assembly, Clutch Lever
6	532 10 64-51	Bolt, Shoulder
7	532 13 53-71	Assembly, Mower Clutch Arm
8	874 76 06-36	Bolt, Hex 3/8-16 UNC x 2-1/4
9	532 12 19-30	Assembly, Bracket Lift
10	876 02 04-12	Pin, Cotter 1/8 x 3/4
11	734 11 72-01	Washer 13/32 x 13/16 x 16 Ga.
12	532 13 18-61	Grip, Handle
13	532 13 93-52	Assembly, Lift Handle
14	532 12 34-96	Spring, Compression
15	734 11 72-01	Washer 13/32 x 3/4 x 12 Ga.
16	532 00 49-21	Retainer, Spring
17	532 12 73-59	Link, Front Lift
18	532 14 20-28	Trunnion, Threaded 3/8-16
19	873 68 04-00	Nut, Crownlock 1/4-20
20	874 76 06-44	Bolt, Fin. Hex 3/8-16 UNC x 2-3/4
23	876 02 04-16	Pin, Cotter 1/8 x 1
24	819 17 19-12	Washer 17/32 x 1 x 12 Ga.
25	532 12 19-33	Tube, Spacer
26	532 14 14-70	Rod, Mower Lift
27	532 10 69-32	Knob
28	876 02 03-12	Pin, Cotter 3/32 x 3/4
29	532 13 16-55	Link, Mower Clutch
30	873 22 06-00	Nut Hex Jam 3/8-16 UNC
31	734 11 74-41	Washer 13/32 x 1-1/4 x 12 Ga.

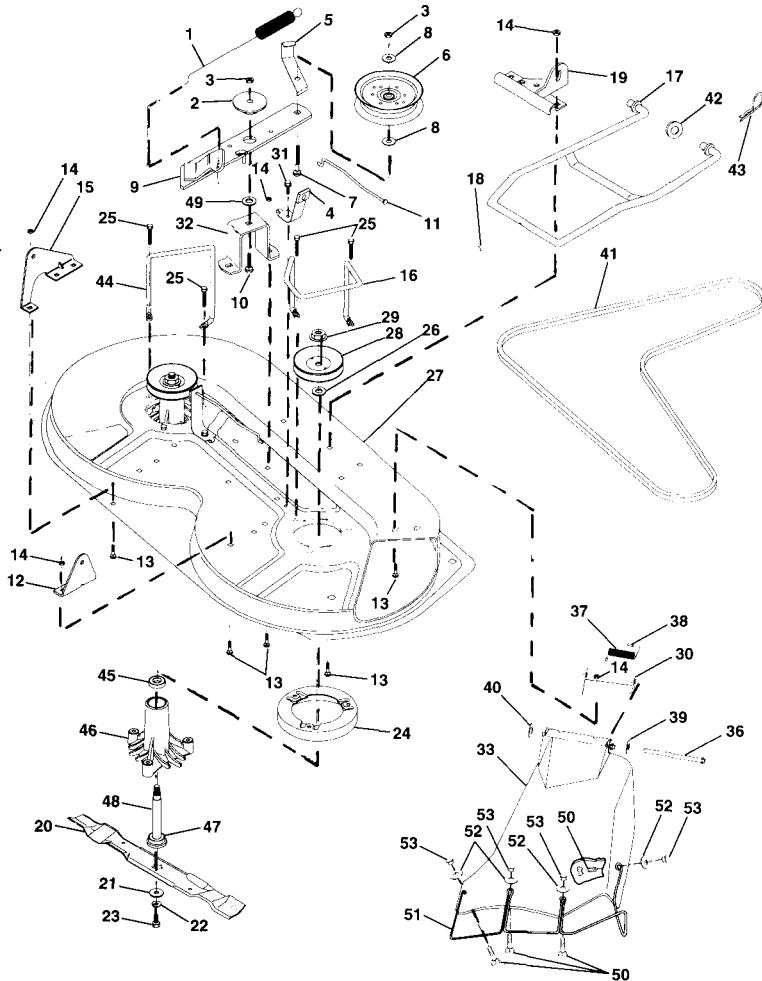


Key No.	Part No.	Description
1	532 12 33-85	Pulley
2	532 00 22-67	Ring, Retainer
4	532 12 50-96	Key, Woodruff #9
5	873 68 06-00	Nut, Crownlock 5/16-18
6	872 14 05-06	Bolt, Carriage 5/16-18 UNC x 3/4
7	532 12 33-78	Strap, Torque
8	874 78 05-12	Screw 5/16-18 x 3/4
9	532 11 04-22	Spring, Brake
10	532 12 17-49	Washer 25/32 x 1-1/4 x 16 Ga.
11	532 12 35-83	Key, Square
15	734 11 78-01	Washer 17/32 x 1 x 16 Ga.
16	532 12 46-00	Support Handle Shift LH
17	532 12 62-93	Link, Shift
18	874 55 04-12	Bolt, Fin Hex 1/4-28 UNF x 3/4 W/ Patch
19	810 04 04-00	Washer, Lock 1/4
20	734 11 54-41	Washer 9/32 x 3/4 x 10 Ga.
21	532 12 62-92	Arm, Shift
22	532 10 57-01	Washer, Shift Plate
23	532 10 69-33	Knob
24	532 12 82-15	Rod, Shift
25	876 02 04-16	Pin, Cotter 1/8 x 1
26	873 61 05-00	Nut, Hex Nylon
28	532 12 80-85	Extension, Spring
29	532 12 80-84	Support Handle Shift RH
31	532 13 70-57	Spacer Split
32	734 11 63-01	Washer 11/32 x 11/16 x 16 Ga.
35	812 00 00-01	E-Ring
36	874 78 04-08	Screw, Thd. Cut. 1/4-20 x 1/2
37	873 68 05-00	Nut, Crownlock 5/16-18
38	874 76 05-04	Bolt, Fin Hex 3/8-16 UNC x 2-3/4

HARDWARE SHOWN LARGER FOR EASIER IDENTIFICATION

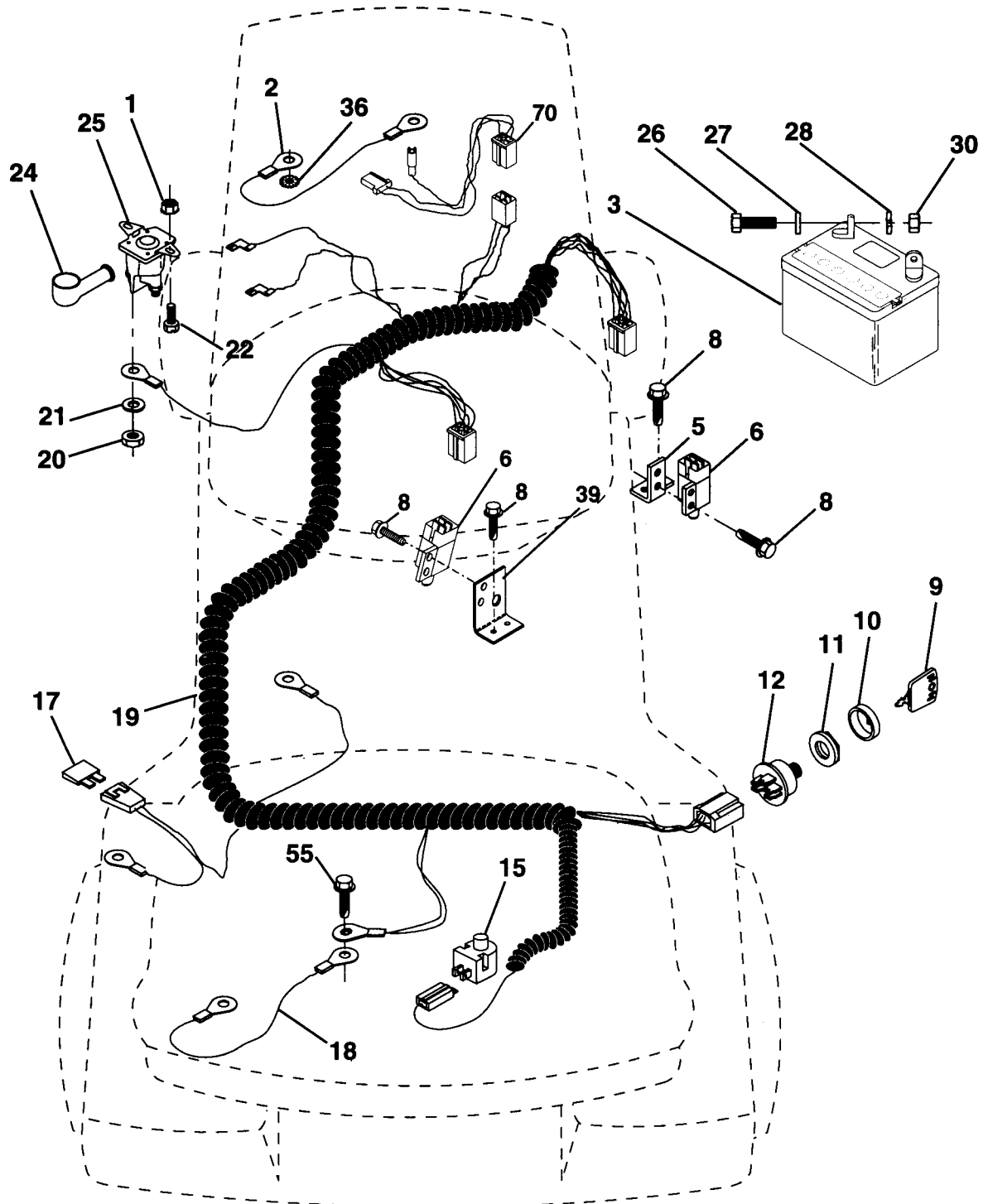


Key No.	Part No.	Description
1	532 05 91-92	Cap, Valve
2	532 06 51-39	Stem, Valve
3	352 00 02-78	Fitting, Grease (Front Wheels Only)
4	532 12 34-10	Tire, Front
4	532 10 62-30	Tire, Rear
5	532 05 99-04	Tube, Front (Optional Service Item Only)
5	532 00 81-34	Tube, Rear (Optional Service Item Only)
6	532 12 48-43	Rim, Front
6	532 12 48-44	Rim, Rear
7	532 10 47-57	Cap, Axle
8	532 00 90-40	Bearing, Flange
9	532 12 17-48	Washer 25/32 x 1-5/8 x 16 Ga.



Key No.	Part No.	Description
1	532 14 00-64	Spring, Mower Clutch
2	532 12 20-52	Spacer, Retainer
3	873 68 06-00	Nut, Crownlock 3/8-16
4	532 13 08-40	Brake Asm.
5	532 13 12-51	Guide, Belt Idler
6	532 12 36-74	Pulley, Flat Idler
7	872 11 06-16	Bolt, Carr. 3/8-16 x 1-3/4 Gr. 5
8	734 11 72-01	Washer 13/21 x 7/8 x 10 Ga.
9	532 14 00-92	Arm Asm., Idler Mower
10	872 14 06-10	Bolt, Carriage 3/8-16 x 1
11	532 13 08-41	Rod, Brake
12	532 12 73-56	Bracket, Lift R. H. Rear
13	872 14 05-06	Bolt, Carriage 5/16-18 x 3/4
14	873 68 05-00	Nut, Crownlock 5/16-18
15	532 12 73-57	Bracket, Lift L. H. Rear
16	532 14 00-93	Keeper, R. H.
17	532 12 85-08	Link, Asm. Mower Stabilizer
18	532 12 85-11	Pin, Drive
19	532 12 73-80	Bracket, Asm. Front
20	532 13 84-96	Blade, High Performance
21	532 14 02-96	Washer, Hard
22	810 04 06-00	Washer, Lock 3/8
23	532 85 08-57	Bolt 3/8-24 x 1-1/4 Gr. 8
24	532 14 03-29	Stripper
25	532 13 87-76	Screw Thdrol Hex Hd
26	532 12 99-63	Washer .150 Thk.
27	532 12 99-83	Deck Assembly
28	532 12 92-07	Pulley, Mandrel
29	532 13 72-66	Nut, Flangelock 9/16
30	532 13 66-31	Bracket, Asm. Deflector
31	817 49 05-08	Screw, Hex Wsh. Thdrol. 5/16-18 x 1/2
32	532 12 20-51	Arm, Support Idler Mower
33	532 13 90-83	Deflector
36	532 12 19-80	Rod, Hinge
37	532 12 37-13	Spring, Torsion Deflector
38	532 10 53-04	Cap, Sleeve
39	734 11 63-01	Washer 11/32 x 5/8 x 16 Ga.
40	532 11 04-52	Pushnut
41	532 13 12-64	V-Belt
42	734 11 78-01	Washer 11/32 x 5/8 16 Ga.
43	532 12 46-60	Retainer, Spring
44	532 14 06-08	Keeper, L. H.
45	532 11 04-85	Bearing
46	532 12 87-74	Housing Mandrel Vented
47	532 12 98-95	Bearing
48	532 13 76-45	Shaft, Mandrel (Includes Key # 47)
49	532 13 39-43	Washer Hardened
50	532 14 59-89	Bolt, Carriage M5 x 16 mm
51	532 13 63-83	Guard, Deflector, Mower 36" TUV (W/Form)
52	819 07 07-18	Washer 7/32 x 7/16 x 18 Ga.
53	532 14 59-90	Nut, Acorn M5 x 0.8
---	532 13 07-94	Mandrel Asm. (Includes Key No.'s 22-23, 26, 29 and 45-48)
---	532 14 49-73	Deck, Mower Complete (Std. Deck - Order CE certification components separately, Kit No. EC36)

HARDWARE SHOWN LARGER FOR EASIER IDENTIFICATION



Key No.	Part No.	Description
1	873 64 04-00	Nut, Hex Keps 1/4-20
2	532 10 84-23	Assembly, Cable
3	532 12 38-88	Battery
5	532 10 82-36	Bracket, Switch
6	532 10 95-53	Switch, Interlock (4 Terminal)
8	817 02 10-08	Screw, Tap Hex Hd.
9	532 14 04-01	Key, Molded
10	532 14 12-26	Cover, Key Ignition
11	532 14 04-00	Nut, Ignition
12	532 14 49-21	Switch, Ignition
15	532 12 13-05	Switch, Plunger
17	532 10 88-24	Fuse
18	532 12 83-53	Assembly, Cable
19	532 14 60-63	Harness, Ignition
20	873 22 04-00	Nut, Hex Jam 1/4-20
21	810 04 04-00	Washer, Lock 1/4

Key No.	Part No.	Description
22	874 78 04-08	Bolt, Fin Hex 1/4-20 UNC x 1/2
24	532 13 15-63	Cover, Terminal
25	532 10 99-46	Solenoid
26	874 76 04-12	Bolt, Hex Hd. 1/4-20 UNC x 3/4
27	734 11 53-01	Washer 9/32 x 5/8 x 16
28	810 04 04-00	Washer, Lock 1/4
30	873 22 04-00	Nut, Fin Hex 1/4-20 UNC
36	810 04 04-00	Washer Lock 1/4 Ext.
39	532 14 17-35	Bracket Switch Clutch
55	817 49 05-08	Screw Thdrol 5/16 - 18 x 1/2
70	532 14 04-13	Harness Ignition

HARDWARE SHOWN LARGER FOR EASIER IDENTIFICATION